

POOL CIRCULATION 03/03 MAIN DRAINS



AQUA LUX ABS SQUARE MAIN DRAIN

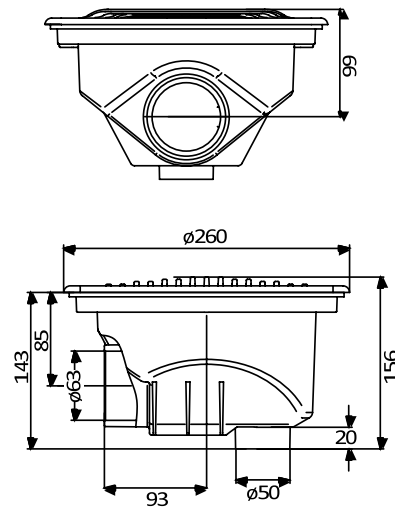
✓ Technical features

- High quality main drain with anti-vortex grille
- Made of white ABS thermoplastic polymer
- Outlet connections: Side \varnothing 63mm. Bottom \varnothing 50mm
- Socket insert and screw 5.5 AISI-316L stainless steel for liner installations
- In accordance with legislation: UNI 13451 for public use
- UV resistance

The following points need to be taken into consideration:

- Maximum water Speed: 0.5m/s
- Maximum suction velocity: 1.5m/s
- It is recommended to install 2 main drains in each water body
- Minimum distance between drains: 2m
- It is recommended to use a safety vacuum release valve device to avoid entrapment and automatically switch off the pump

📏 Dimensions



🔍 Models

POOL	PRODUCT CODE	\varnothing PIPE	FLOW RATE AT SPEED 0.5 m/s m ³ /h	PACKING	WEIGHT kg	VOLUME m ³
Concrete	200200038	63F - 75M	28.11	1	1	0.01

NOTE: Codes listed above are for white products. For other colours, add the following letters to the end of the code: Sand +SA, Silver +SL, Grey +GR, Black +BK.



SAND
RAL1015



SILVER
RAL7040



GREY
RAL7043



BLACK
RAL9004

POOL CIRCULATION 03/03 MAIN DRAINS



AQUA LUX ABS AQUAMAX MAIN DRAIN

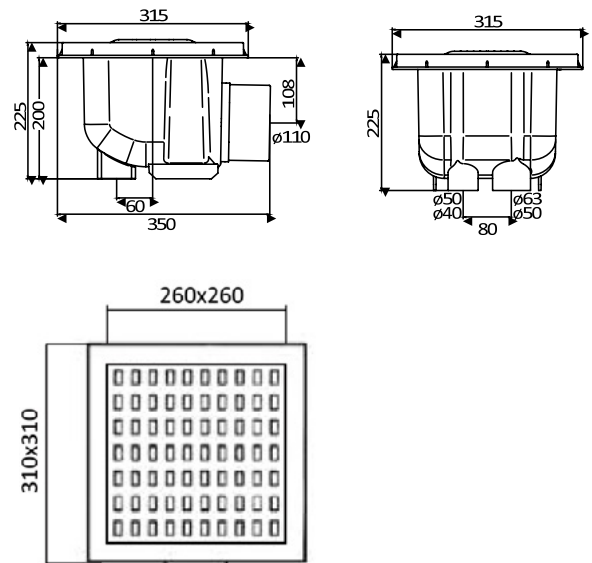
✓ Technical features

- High quality main drain with anti-vortex grille
- Made of white ABS thermoplastic polymer
- Outlet connections: Side \varnothing 63mm. Bottom \varnothing 50mm
- Socket insert and screw 5.5 AISI-316L stainless steel for liner installations
- In accordance with legislation: UNI 13451 for public use
- UV resistance

The following points need to be taken into consideration:

- Maximum water Speed: 0.5m/s
- Maximum suction velocity: 1.5m/s
- It is recommended to install 2 main drains in each water body
- Minimum distance between drains: 2m
- It is recommended to use a safety vacuum release valve device to avoid entrapment and automatically switch off the pump

📏 Dimensions



🔍 Models

POOL	CODE	Ø PIPE	FLOW RATE AT SPEED 0.5 m/s m³/h	PACKING	WEIGHT kg	VOLUME m³
Concrete	200200061	90	49.59	1	2	0.03
		125	52.71	1	2	0.03
Liner	200200060	90	49.59	1	3	0.03
		125	52.71	1	3	0.03

NOTE: Codes listed above are for white products. For other colours, add the following letters to the end of the code: Sand +SA, Silver +SL, Grey +GR, Black +BK.



SAND
RAL1015



SILVER
RAL7040



GREY
RAL7043



BLACK
RAL9004

POOL CIRCULATION 03/03 MAIN DRAINS



AQUA LUX ABS ROUND MAIN DRAIN

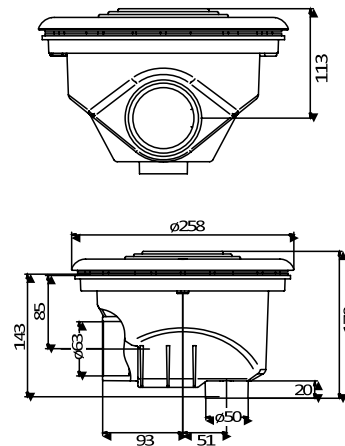
✓ Technical features

- High quality main drain with anti-vortex grille
- Made of white ABS thermoplastic polymer
- In accordance with legislation for public use UNI 13451
- Outlet connections: Side \varnothing 63mm. Bottom \varnothing 50mm
- Socket insert and screw 5.5 AISI-316 stainless steel for liner installations
- UV resistance

The following points need to be taken into consideration:

- Maximum water Speed: 0.5m/s
- Maximum suction velocity: 1.5m/s
- It is recommended to install 2 main drains in each water body
- Minimum distance between drains: 2m
- It is recommended to use a safety vacuum release valve device to avoid entrapment and automatically switch off the pump

📏 Dimensions



🔍 Models

POOL	PRODUCT CODE	\varnothing PIPE	FLOW RATE AT SPEED 0.5 m/s m ³ /h	PACKING	WEIGHT kg	VOLUME m ³
Liner	200200037	63 -75	29.72	1	2	0.01

NOTE: Codes listed above are for white products. For other colours, add the following letters to the end of the code: Sand +SA, Silver +SL, Grey +GR, Black +BK.



WHITE



SAND
RAL1015



SILVER
RAL7040



GREY
RAL7043



BLACK
RAL9004

POOL CIRCULATION 03/03 MAIN DRAINS



ABS ROUND MAIN DRAIN

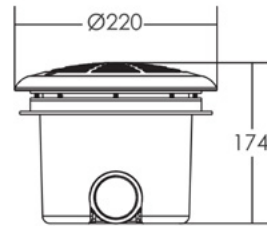
✓ Technical features

- High quality main drain made in ABS with antivortex grid
- Resistance against corrosion and ultraviolet

The following points need to be taken into consideration:

- Maximum water Speed: 0.5m/s
- Maximum suction velocity: 1.5m/s
- It is recommended to install 2 main drains in each water body
- Minimum distance between drains: 2m
- It is recommended to use a safety vacuum release valve device to avoid entrapment and automatically switch off the pump

📏 Dimensions



🔍 Models

POOL	PRODUCT CODE	FLOW RATE m ³ /h	PACKING	WEIGHT kg	VOLUME m ³
Concrete	F-121	9	1	12	0.123
Liner	F-122	9	1	1.1	0.010

POOL CIRCULATION 03/03 MAIN DRAINS



VGB ABS SAFETY ROUND MAIN DRAIN

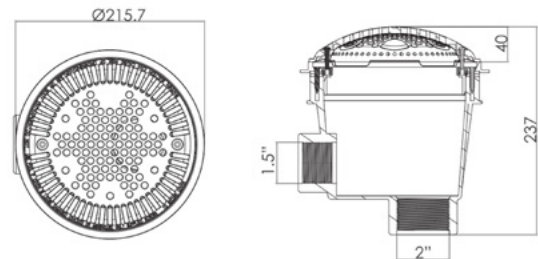
✓ Technical features

- High quality main drain with anti-vortex grille
- Made of white ABS thermoplastic polymer
- Corrosion and UV resistant
- Suitable for concrete installations
- Comply with provisions ANSI/APSP-16 2011 standard and the Virginia Graeme Baker Pool and Spa Safety Act

The following points need to be taken into consideration:

- Maximum water Speed: 0.5m/s
- Maximum suction velocity: 1.5m/s
- It is recommended to install 2 main drains in each water body
- Minimum distance between drains: 2m
- It is recommended to use a safety vacuum release valve device to avoid entrapment and automatically switch off the pump

📏 Dimensions



🔍 Models

POOL	PRODUCT CODE	CONNECTION	FLOW RATE m ³ /h	PACKING	WEIGHT kg	VOLUME m ³
Concrete	F-126	1.5" / 2" Threaded	14.4	8	12	0.123

POOL CIRCULATION 03/03 MAIN DRAINS



ABS FLASH MAIN DRAIN

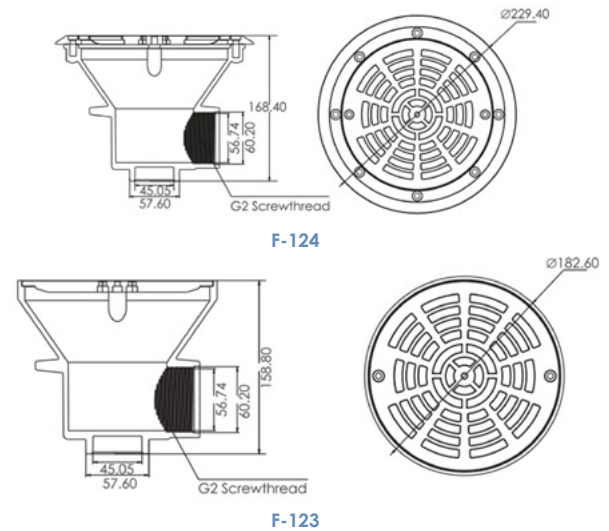
✓ Technical features

- High quality main drain with anti-vortex grille
- Made of white ABS thermoplastic polymer
- Corrosion and UV resistant
- Suitable for concrete and liner installations

The following points need to be taken into consideration:

- Maximum water Speed: 0.5m/s
- Maximum suction velocity: 1.5m/s
- It is recommended to install 2 main drains in each water body
- Minimum distance between drains: 2m
- It is recommended to use a safety vacuum release valve device to avoid entrapment and automatically switch off the pump

📏 Dimensions



🔍 Models

POOL	PRODUCT CODE	CONNECTION	FLOW RATE m ³ /h	PACKING	WEIGHT kg	VOLUME m ³
Concrete	F-123	G2 Internal threaded	13.02	1	3.4	0.040
Liner	F-124	G2 Internal threaded	13.02	1	4.7	0.040

POOL CIRCULATION 03/03 MAIN DRAINS



AQUA LUX ABS COVERS

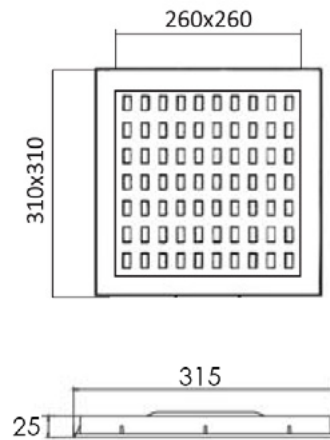
✓ Technical features

- High quality main drain with anti-vortex grille
- Made of white ABS thermoplastic polymer
- Lateral fitting Ø 125/110
- Grille outer dimension: 310mm x 310mm x 25mm
- Grille dimension: 260mm x 260mm
- Socket insert and screw INOX AISI-316 stainless steel for liner pools
- Certification standard: UNI 13451 (For public use)
- UV resistance

The following points need to be taken into consideration:

- Maximum water Speed: 0.5m/s
- Maximum suction velocity: 1.5m/s
- It is recommended to install 2 main drains in each water body
- Minimum distance between drains: 2m
- It is recommended to use a safety vacuum release valve device to avoid entrapment and automatically switch off the pump

📏 Dimensions



🔍 Models

POOL	PRODUCT CODE	PIPE Ø	FLOW RATE AT SPEED 0.5 m/s m³/h	PACKING	WEIGHT kg	VOLUME m³
Concrete	200200061C	90	49.59	1	2	0.03
		125	52.71	1	2	0.03
Liner	200200060C	90	49.59	1	3	0.03
		125	52.71	1	3	0.03

NOTE: Codes listed above are for white products. For other colours, add the following letters to the end of the code: Sand +SA, Silver +SL, Grey +GR, Black +BK.



SAND
RAL1015



SILVER
RAL7040



GREY
RAL7043



BLACK
RAL9004

POOL CIRCULATION 03/03 MAIN DRAINS



VGB ABS SQUARE MAIN DRAIN COVER

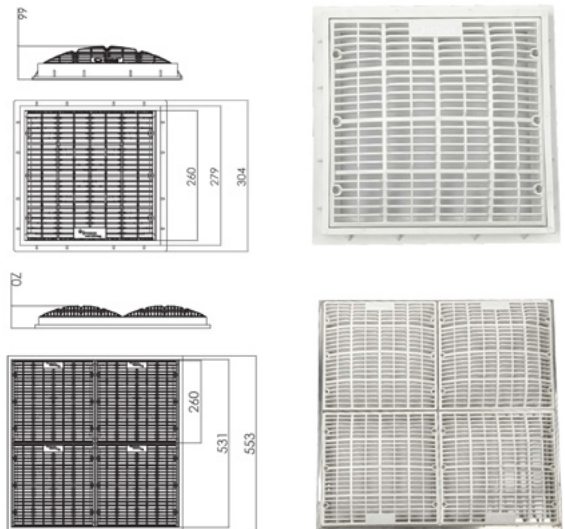
✓ Technical features

- High quality main drain with anti-vortex grille
- Made of white ABS thermoplastic polymer
- Corrosion and UV resistant
- Suitable for concrete installations
- Overall dimension: 304mm x 304mm x 66mm
- Grille dimension: 279mm x 279mm
- ANSP / APSP Certification 1602011 standard
- Comply with provisions ANSI/APSP-16 2011 standard and the Virginia Graeme Baker Pool and Spa Safety Act

The following points need to be taken into consideration:

- Maximum water Speed: 0.5m/s
- Maximum suction velocity: 1.5m/s
- It is recommended to install 2 main drains in each water body
- Minimum distance between drains: 2m
- It is recommended to use a safety vacuum release valve device to avoid entrapment and automatically switch off the pump

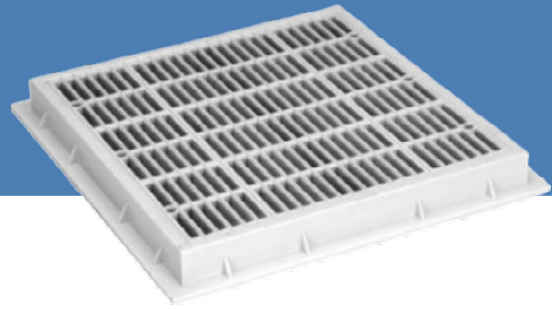
📏 Dimensions



🔍 Models

POOL	PRODUCT CODE	FLOW RATE m ³ /h	PACKING	WEIGHT kg	VOLUME m ³
Concrete	F-101	54	20	29.2	0.164
Concrete	F-102	216	8	8.8	0.028

POOL CIRCULATION 03/03 MAIN DRAINS



ABS SQUARE MAIN DRAIN COVER

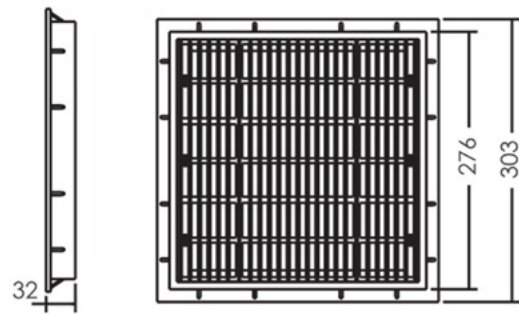
✓ Technical features

- High quality main drain with anti-vortex grille
- Made of white ABS thermoplastic polymer
- Corrosion and UV resistant
- Suitable for concrete installations
- Overall dimension: 303mm x 303mm x 32mm
- Grille dimension: 276mm x 276mm

The following points need to be taken into consideration:

- Maximum water Speed: 0.5m/s
- Maximum suction velocity: 1.5m/s
- It is recommended to install 2 main drains in each water body
- Minimum distance between drains: 2m
- It is recommended to use a safety vacuum release valve device to avoid entrapment and automatically switch off the pump

📏 Dimensions



🔍 Models

POOL	PRODUCT CODE	FLOW RATE m ³ /h	PACKING	WEIGHT kg	VOLUME m ³
Concrete	F-152	51	10	15	0.029

POOL CIRCULATION 03/03 MAIN DRAINS



ABS ROUND MAIN DRAIN COVER

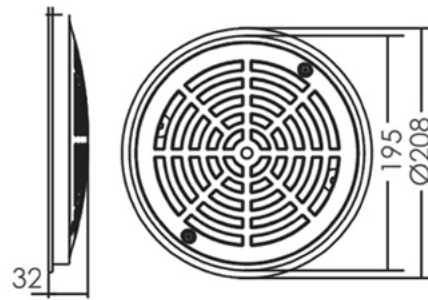
✓ Technical features

- High quality main drain with anti-vortex grille
- Made of white ABS thermoplastic polymer
- Corrosion and UV resistant

The following points need to be taken into consideration:

- Maximum water Speed: 0.5m/s
- Maximum suction velocity: 1.5m/s
- It is recommended to install 2 main drains in each water body
- Minimum distance between drains: 2m
- It is recommended to use a safety vacuum release valve device to avoid entrapment and automatically switch off the pump

📏 Dimensions

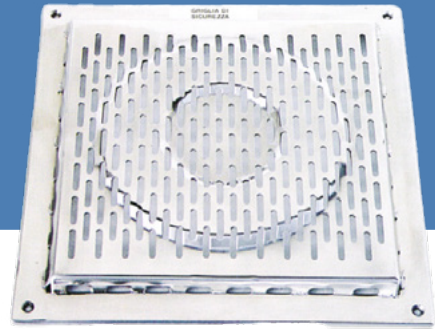


🔍 Models

POOL	PRODUCT CODE	FLOW RATE m ³ /h	PACKING	WEIGHT kg	VOLUME m ³
Concrete	F-137	33.48	30	13.5	0.099

POOL CIRCULATION 03/03 MAIN DRAINS

STAINLESS STEEL WALL SAFETY GRATE WITH CASING



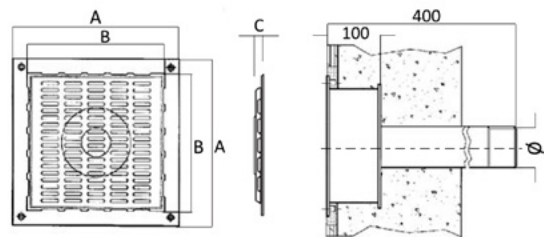
✓ Technical features

- Made of AISI-316L stainless steel
- Suitable for concrete installations
- Anti-vortex grille

The following points need to be taken into consideration:

- Maximum water Speed: 0.5m/s
- Maximum suction velocity: 1.5m/s
- It is recommended to install 2 main drains in each water body
- Minimum distance between drains: 2m
- It is recommended to use a safety vacuum release valve device to avoid entrapment and automatically switch off the pump

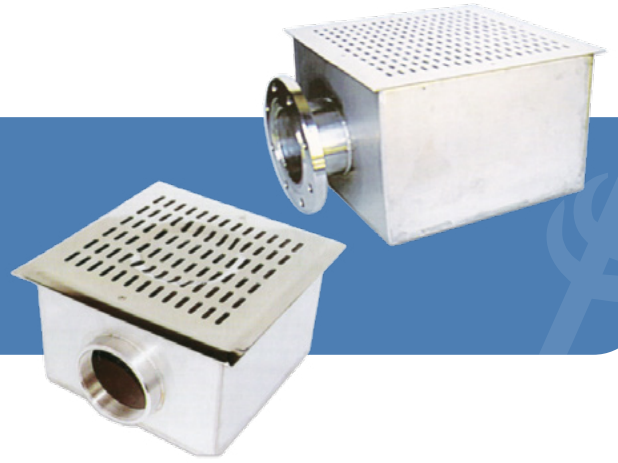
📐 Dimensions



🔍 Models

PRODUCT CODE		CONNECTION Ø	FLOW RATE AT SPEED 0.5 m/s m³/h	DIMENSIONS mm			PACKING	WEIGHT kg	VOLUME m³
CONCRETE	LINER			A	B	C			
F-168	F-173	1 x 3"	25	300 x 300	240 x 240	23	1	8	0.005
F-169	F-174	1 x 4"	40	350 x 350	290 x 290	23	1	10	0.006
F-170	F-175	1 x 5"	60	450 x 450	390 x 390	23	1	12	0.007
F-171	F-176	2 x 4"	73	550 x 350	490 x 290	23	1	15	0.008
F-172	F-177	2 x 5"	84	660 x 450	600 x 390	28	1	18	0.009

POOL CIRCULATION 03/03 MAIN DRAINS



STAINLESS STEEL SQUARE DRAINS

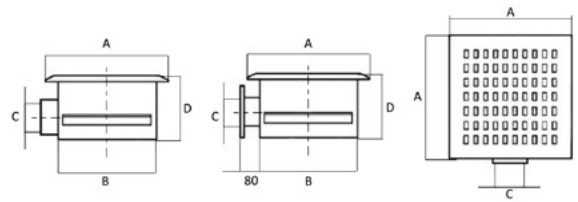
✓ Technical features

- Made of AISI-316L stainless steel
- Polished grille cover
- Anti-vortex grille

The following points need to be taken into consideration:

- Maximum water Speed: 0.5m/s
- Maximum suction velocity: 1.5m/s
- It is recommended to install 2 main drains in each water body
- Minimum distance between drains: 2m
- It is recommended to use a safety vacuum release valve device to avoid entrapment and automatically switch off the pump

📏 Dimensions



🔍 Models

PRODUCT CODE	DIMENSIONS mm				FLOW RATE AT SPEED 0.5 m/s m³/h	PACKING	WEIGHT kg	VOLUME m³
	A	B	C	D				
F-146	250	200	2" F	170	22	1	6	0.012
F-147	300	250	3" F	200	37	1	8	0.03
F-148	350	300	4" F	200	59	1	10	0.04
F-149	450	400	DN 125	290	78	1	25	0.125
F-150	500	450	DN 150	320	134	1	30	0.137

POOL CIRCULATION 03/03 MAIN DRAINS



STAINLESS STEEL ROUND POOL DRAIN

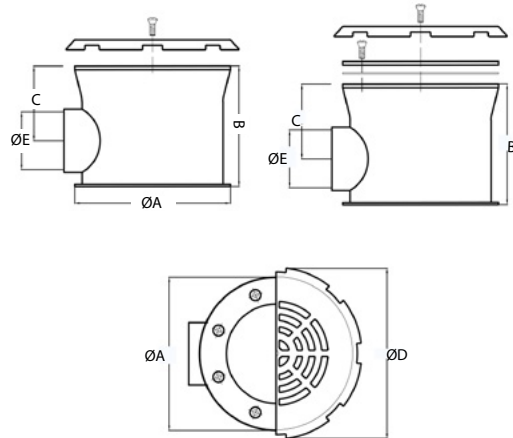
✓ Technical features

- Made of AISI-316L – V4A stainless steel
- Connection pipe: Ø2" (Female)
- Suitable for concrete and liner installations
- Anti-vortex grille

The following points need to be taken into consideration:

- Maximum water Speed: 0.5m/s
- Maximum suction velocity: 1.5m/s
- It is recommended to install 2 main drains in each water body
- Minimum distance between drains: 2m
- It is recommended to use a safety vacuum release valve device to avoid entrapment and automatically switch off the pump

📐 Dimensions



🔍 Models

POOL	PRODUCT CODE	FLOW RATE AT SPEED 0.5 m/s m³/h	DIMENSIONS mm					PACKING	WEIGHT kg	VOLUME m³
			A	B	C	ØD	ØE			
Concrete	20099	20	170	125	65	190	2" F	1	3	0.008
Liner	20100	20	170	125	65	190	2" F	1	4	0.008
Concrete	20120	25	220	190	140	250	2½" F	1	5	0.015
Liner	20121	25	220	190	140	250	2½" F	1	6	0.015

POOL CIRCULATION 03/03 MAIN DRAINS



STAINLESS STEEL SUCTIONS ROUND DRAIN

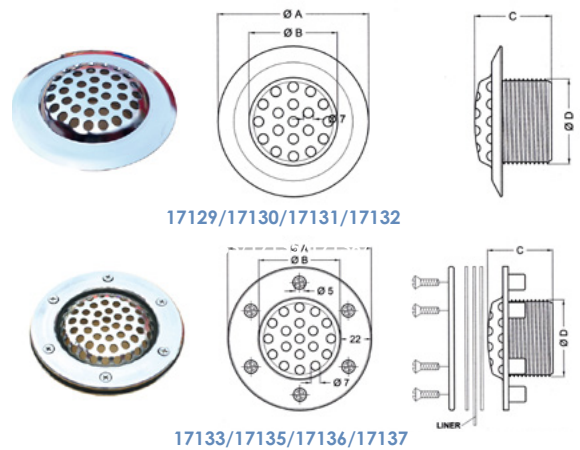
✓ Technical features

- Made of AISI-316L stainless steel
- Suitable for concrete and liner installations
- Anti-vortex grille

The following points need to be taken into consideration:

- Maximum water Speed: 0.5m/s
- Maximum suction velocity: 1.5m/s
- It is recommended to install 2 main drains in each water body
- Minimum distance between drains: 2m
- It is recommended to use a safety vacuum release valve device to avoid entrapment and automatically switch off the pump

📐 Dimensions



🔍 Models

POOL	PRODUCT CODE	DIMENSIONS mm				FLOW RATE AT SPEED 4 m/s m³/h	PACKING	WEIGHT kg	VOLUME m³
		A	B	C	D				
Concrete	17129	104	61	50	2"	6	1	1	0.009
Concrete	17130	143	95	56	3"	13.5	1	1	0.018
Concrete	17131	155	110	68	4"	21	1	2	0.025
Concrete	17132	210	125	80	5"	28.5	1	2	0.035
Liner	17133	106	62	48	2"	6	1	1	0.009
Liner	17135	144	90	58	3"	13.5	1	1	0.018
Liner	17136	160	110	66	4"	21	1	2	0.025
Liner	17137	210	130	74	5"	28.5	1	2	0.035

POOL CIRCULATION 03/03 MAIN DRAINS



STAINLESS STEEL SUCTIONS WALL THROUGH DRAIN

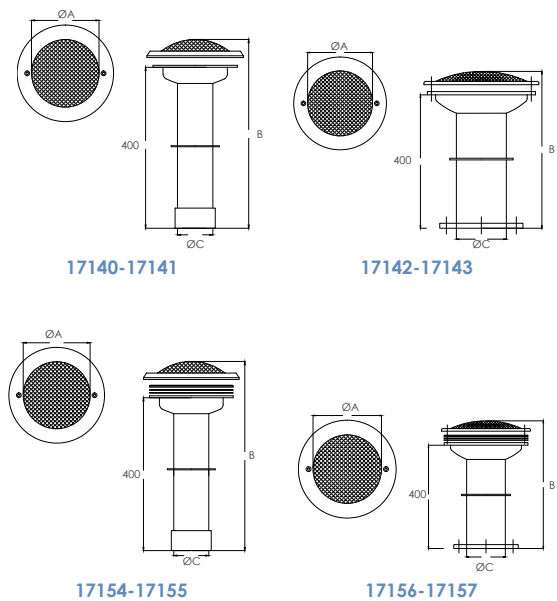
✓ Technical features

- Made of AISI-316L stainless steel
- Suitable for concrete and liner installations
- Anti-vortex grille

The following points need to be taken into consideration:

- Maximum water Speed: 0.5m/s
- Maximum suction velocity: 1.5m/s
- It is recommended to install 2 main drains in each water body
- Minimum distance between drains: 2m
- It is recommended to use a safety vacuum release valve device to avoid entrapment and automatically switch off the pump

📐 Dimensions



🔍 Models

POOL	PRODUCT CODE	CONNECTIONS	FLOW RATE AT SPEED m ³ /h	PACKING	WEIGHT kg	VOLUME m ³
Concrete	17140	Threaded 3"	45	1	5	0.028
Concrete	17141	Threaded 4"	60	1	6	0.040
Concrete	17142	Threaded DN 125"	80	1	8	0.064
Concrete	17143	Threaded DN 150"	100	1	10	0.088
Liner	17154	Threaded 3"	45	1	6	0.028
Liner	17155	Threaded 4"	60	1	7	0.040
Liner	17156	Flanged DN 125	80	1	9	0.061
Liner	17157	Flanged DN 150	100	1	11	0.088

POOL CIRCULATION 03/03 MAIN DRAINS



STAINLESS STEEL WALL GRILL SCREW IN PIPE

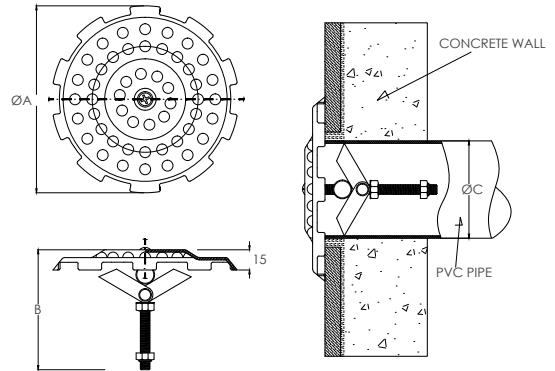
✓ Technical features

- Made of AISI-316L stainless steel
- Anti-vortex grille

The following points need to be taken into consideration:

- Maximum water Speed: 0.5m/s
- Maximum suction velocity: 1.5m/s
- It is recommended to install 2 main drains in each water body
- Minimum distance between drains: 2m
- It is recommended to use a safety vacuum release valve device to avoid entrapment and automatically switch off the pump

📐 Dimensions



🔍 Models

PRODUCT CODE	DIMENSIONS mm				FLOW RATE AT SPEED 4 m/s m ³ /h	PACKING	WEIGHT kg	VOLUME m ³
	A	B	C	D				
17086	106	62	48	2"	6	1	1	0.018
17087	144	90	58	3"	13.5	1	1	0.018
17088	160	110	66	4"	21	1	1	0.025

POOL CIRCULATION 03/03 MAIN DRAINS



STAINLESS STEEL STANDARD BOTTOM GRILLE COVER

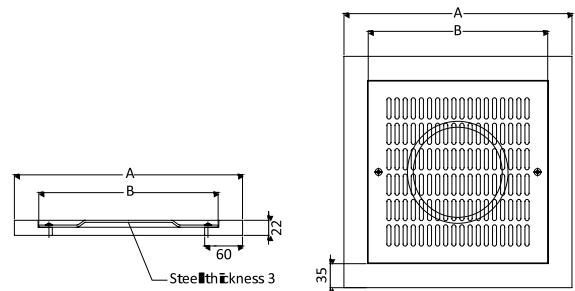
✓ Technical features

- Made of AISI-316L stainless steel
- Suitable for concrete and liner installations
- Anti-vortex grille

The following points need to be taken into consideration:

- Maximum water Speed: 0.5m/s
- Maximum suction velocity: 1.5m/s
- It is recommended to install 2 main drains in each water body
- Minimum distance between drains: 2m
- It is recommended to use a safety vacuum release valve device to avoid entrapment and automatically switch off the pump

📐 Dimensions



🔍 Models

PRODUCT CODE		FLOW RATE AT SPEED 0.5 m/s m³/h	DIMENSIONS mm		PACKING	WEIGHT kg	VOLUME m³
CONCRETE	LINER		A	B			
F-155	F-160	17	280 x 280	200 x 200	1	1.7	0.001
F-156	F-161	28	325 x 325	250 x 250	1	2.4	0.003
F-157	F-162	39	380 x 380	300 x 300	1	3.2	0.004
F-158	F-163	69	480 x 480	400 x 400	1	5.1	0.006
F-159	F-164	108	580 x 580	500 x 500	1	5.9	0.010

POOL CIRCULATION 03/03 MAIN DRAINS



STAINLESS STEEL BOTTOM GRATE COVER

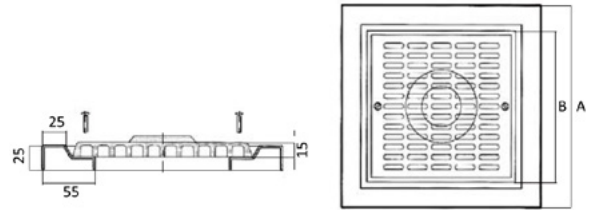
✓ Technical features

- Made of AISI-316L stainless steel
- Suitable for concrete and liner installations
- Anti-vortex grille

The following points need to be taken into consideration:

- Maximum water Speed: 0.5m/s
- Maximum suction velocity: 1.5m/s
- It is recommended to install 2 main drains in each water body
- Minimum distance between drains: 2m
- It is recommended to use a safety vacuum release valve device to avoid entrapment and automatically switch off the pump

📏 Dimensions

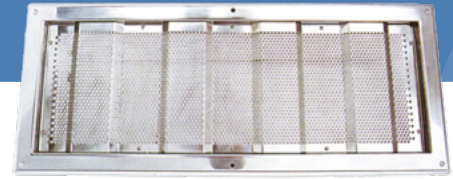


🔍 Models

PRODUCT CODE		FLOW RATE AT SPEED 0.5 m/s m ³ /h	DIMENSIONS mm		PACKING	WEIGHT kg	VOLUME m ³
CONCRETE	LINER		A	B			
F-165	F-165-L	45	355 x 355	295 x 295	1	4	0.003
F-166	F-166-L	80	455 x 455	395 x 395	1	5	0.006
F-167	F-167-L	140	555 x 555	495 x 495	1	6	0.009

POOL CIRCULATION 03/03 MAIN DRAINS

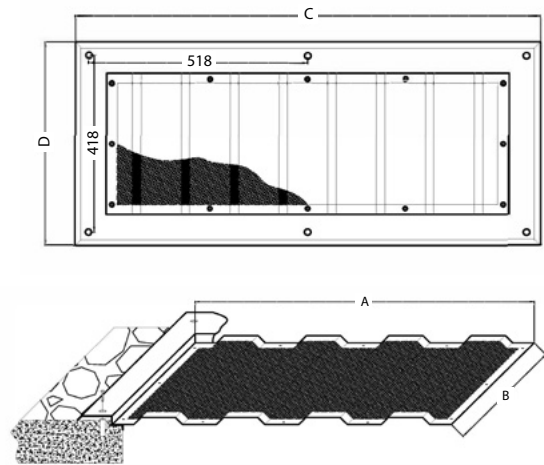
STAINLESS STEEL RECTANGULAR WALL SAFETY GRATE COVER



✓ Technical features

- Made of AISI-316L stainless steel
 - Suitable for concrete installations
 - Anti-vortex grille
- The following points need to be taken into consideration:**
- Maximum water Speed: 0.5m/s
 - Maximum suction velocity: 1.5m/s
 - It is recommended to install 2 main drains in each water body
 - Minimum distance between drains: 2m
 - It is recommended to use a safety vacuum release valve device to avoid entrapment and automatically switch off the pump

📐 Dimensions



🔍 Models

PRODUCT CODE	FLOW RATE AT SPEED 0.5 m/s m³/h	DIMENSIONS mm				PACKING	WEIGHT kg	VOLUME m³
		A	B	C	D			
F-178	190	723	330	871	478	1	7	0.045
F-179	250	948	330	1096	478	1	9	0.06

POOL CIRCULATION 03/03 MAIN DRAINS



STAINLESS STEEL ROUND BOTTOM GRILLE COVER

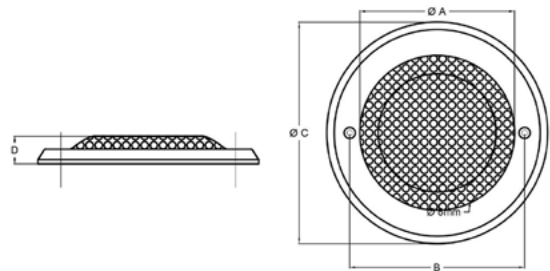
✓ Technical features

- Made of AISI-316L stainless steel
- Anti-vortex grille

The following points need to be taken into consideration:

- Maximum water Speed: 0.5m/s
- Maximum suction velocity: 1.5m/s
- It is recommended to install 2 main drains in each water body
- Minimum distance between drains: 2m
- It is recommended to use a safety vacuum release valve device to avoid entrapment and automatically switch off the pump

📏 Dimensions



🔍 Models

PRODUCT CODE	FLOW RATE AT SPEED 0.5 m/s m³/h	DIMENSIONS mm				PACKING	WEIGHT kg	VOLUME m³
		A	B	C	D			
17200	21	168	195	260	33	1	1	0.009
17201	42	220	247	315	31	1	2	0.012
17202	66	273	300	380	47	1	2	0.016
17203	78	320	347	430	34	1	3	0.020



Your global partner since 1974. Trusted for superior quality and exceptional innovations.



Head Office

AQUA S.p.A

42018 San Martino in Rio, Reggio Emilia
Italy - Via Crotti, 1
P: +39 0522 695805/85 - F: +39 0522 646160
aqua@aqua.it | www.aqua.it

AQUA S.p.A - POOL DIVISION

46043 Castiglione d. Stiviere, Mantova - Italy
P: +39 0376 671973 - F: +39 0376 940139
infopools@aqua.it | www.aqua.it



Branches

AQUA WATER SYSTEMS LTD

Unit 135 Oak Drive Hartlebury Trading Estate,
Worcestershire, DY10 4JB
P: +44 (0)1299 251050, F: +44 (0)1299 253704
sales@askaqua.co.uk | www.askaqua.co.uk

AQUA FILTRACION S.A.

Pol. Ind. Castellbisbal Sud 08755
Castellbisbal, Barcelona
P: +34 (0)93 7711855, F: +34 (0)93 7711772
info@aqua.es | www.aqua.es

AQUA SU ARITIMI SAN. VE MUH. TIC. LTD. STI.

Ferhatpasa Mahallesi Maresal Fevzi Cakmak
Cad. No:45 Pk.34888 Atasehir / Istanbul - Turkey
P: +90 216 661 60 60, F: +90 216 661 68 50
info@aqua.com.tr | www.aqua.com.tr

AQUA MIDDLE EAST FZC

1J-07/4 and 1J-07/3 - Hamriyah Free Zone
P.O.Box 42585 Sharjah - United Arab Emirates
P: +971 6 526 0563, F: +971 6 526 0564
contact@aqua-me.ae
www.aqua-me.ae

AQUA WATER SYSTEMS INDIA PVT LTD

4A/4B/4C-,Puttappa Industrial Estate
Mahadevapura Post, White Field Road,
Bangalore 560 048
P: 0091 80 4152 1313, F: 0091 80 4152 1414
contact@aquaindia.in | sales@aquaindia.in
www.aquaindia.in

AQUA GROUP RUS

Juridical Address:
107014, Egerskaya str, 1, Moscow, Russia
Residence Address:
127081, Chermianskaya str, 3, Moscow, Russia
P: +7 495 6458078, F: +7 495 969 2413
mail@aqua-italy.ru | www.aqua-italy.ru
www.aqua.it

AQUA GROUP LLC

Office : Regus – Sarayat EL Maadi, Egypt
Management & Warehouse : Plot no 2-2nd service
axe, 2nd Industrial Zone, October, Egypt
P: +20 2 3820 2259 | info@aqua.eg

POOL CIRCULATION