

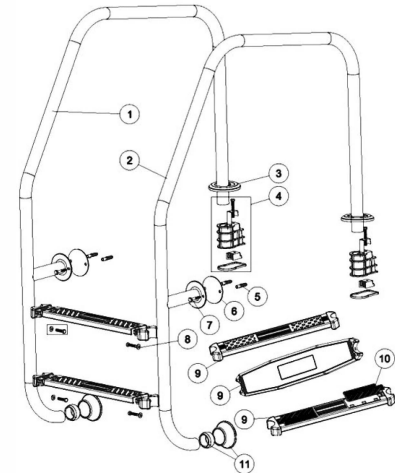
OF SERIES OVERFLOW LADDERS FOR CONCRETE POOL PART LIST

Key No.	Part No.	Description	Qty
1	03016155	Ladders Left Hand-Side (AISI304) for OF215	1
1	03016156	Ladders Left Hand-Side (AISI304) for OF315	1
1	03016157	Ladders Left Hand-Side (AISI304) for OF415	1
1	03016158	Ladders Left Hand-Side (AISI304) for OF515	1
1	03016163	Ladders Left Hand-Side (AISI316) for OF215	1
1	03016164	Ladders Left Hand-Side (AISI316) for OF315	1
1	03016165	Ladders Left Hand-Side (AISI316) for OF415	1
1	03016166	Ladders Left Hand-Side (AISI316) for OF515	1
2	03016159	Ladders Right Hand-Side (AISI304) for OF215	1
2	03016160	Ladders Right Hand-Side (AISI304) for OF315	1
2	03016161	Ladders Right Hand-Side (AISI304) for OF415	1
2	03016162	Ladders Right Hand-Side (AISI304) for OF515	1
2	03016167	Ladders Right Hand-Side (AISI316) for OF215	1
2	03016168	Ladders Right Hand-Side (AISI316) for OF315	1
2	03016169	Ladders Right Hand-Side (AISI316) for OF415	1
2	03016170	Ladders Right Hand-Side (AISI316) for OF515	1
3	03016046	Cover	2
4	89070101	Anchor Type Fittings (Concrete Pool)	2

5	01101041	Plastic Wall Fittings for Screws	4
6	02091003	PE Washer	2
7	03011107	M7.5*50 Screw	4
8	89070103	M8*35 Screw with Washer for Step (AISI304)	*
8	89070106	M8*35 Screw with Washer for Step (AISI316)	*
9	89070102	Ladders Stainless Steel Step (AISI304)	*
9	89070105	Ladders Stainless Steel Step	*
9	01051173	Ladders Plastic Step	*
9	89070107	Ladders Stainless Steel Step (AISI316) with Anti-Slippery Pad	*
9	89070108	Ladders Stainless Steel Step (AISI304) with Anti-Slippery Pad	*
10	02141006	Anti-Slippery Pad	*
11	89070104	Cap	2

Notes:

OFF 215-S need 2pcs of Ladder Stainless Steel step and 4pcs of M8*35 Screw with Washer for Step (AISI304 or AISI316)
 OFF 315-S need 3pcs of Ladder Stainless Steel step and 6pcs of M8*35 Screw with Washer for Step (AISI304 or AISI316)
 OFF 415-S need 4pcs of Ladder Stainless Steel step and 8pcs of M8*35 Screw with Washer for Step (AISI304 or AISI316)
 OFF 515-S need 5pcs of Ladder Stainless Steel step and 10pcs of M8*35 Screw with Washer for Step (AISI304 or AISI316)
 OFF 215-SR need 2pcs of Ladder Stainless Steel Step with Anti-Slippery Pad and 4pcs of Anti-Slippery Pad and 4pcs of M8*35 Screw with Washer for Step (AISI304 or AISI316)
 OFF 315-SR need 3pcs of Ladder Stainless Steel Step with Anti-Slippery Pad and 6pcs of Anti-Slippery Pad and 6pcs of M8*35 Screw with Washer for Step (AISI304 or AISI316)
 OFF 415-SR need 4pcs of Ladder Stainless Steel Step with Anti-Slippery Pad and 8pcs of Anti-Slippery Pad and 8pcs of M8*35 Screw with Washer for Step (AISI304 or AISI316)
 OFF 515-SR need 5pcs of Ladder Stainless Steel Step with Anti-Slippery Pad and 10pcs of Anti-Slippery Pad and 10pcs of M8*35 Screw with Washer for Step (AISI304 or AISI316)
 OFF 215-P need 2pcs of Ladder Plastic Step and 4pcs of M8*35 Screw with Washer for Step (AISI304 or AISI316)
 OFF 315-P need 3pcs of Ladder Plastic Step and 6pcs of M8*35 Screw with Washer for Step (AISI304 or AISI316)
 OFF 415-P need 4pcs of Ladder Plastic Step and 8pcs of M8*35 Screw with Washer for Step (AISI304 or AISI316)
 OFF 515-P need 5pcs of Ladder Plastic Step and 10pcs of M8*35 Screw with Washer for Step (AISI304 or AISI316)



OFF SERIES OVERFLOW LADDERS INSTALLATION FOR WOODEN POOL

Key No.	Part No.	Description	Qty
1	03016236	Ladders Left Hand-Side (AISI304) for OFF215 (Flange)	1
1	03016237	Ladders Left Hand-Side (AISI304) for OFF315 (Flange)	1
1	03016238	Ladders Left Hand-Side (AISI304) for OFF415 (Flange)	1
1	03016239	Ladders Left Hand-Side (AISI304) for OFF515 (Flange)	1
1	03016244	Ladders Left Hand-Side (AISI316) for OFF215 (Flange)	1
1	03016245	Ladders Left Hand-Side (AISI316) for OFF315 (Flange)	1
1	03016246	Ladders Left Hand-Side (AISI316) for OFF415 (Flange)	1
1	03016247	Ladders Left Hand-Side (AISI316) for OFF515 (Flange)	1
2	03016240	Ladders Right Hand-Side (AISI304) for OFF215 (Flange)	1
2	03016241	Ladders Right Hand-Side (AISI304) for OFF315 (Flange)	1
2	03016242	Ladders Right Hand-Side (AISI304) for OFF415 (Flange)	1
2	03016243	Ladders Right Hand-Side (AISI304) for OFF515 (Flange)	1
2	03016248	Ladders Right Hand-Side (AISI316) for OFF215 (Flange)	1
2	03016249	Ladders Right Hand-Side (AISI316) for OFF315 (Flange)	1
2	03016250	Ladders Right Hand-Side (AISI316) for OFF415 (Flange)	1
2	03016251	Ladders Right Hand-Side (AISI316) for OFF515 (Flange)	1
3	03016046	Cover	2
4	89071801	M8*50 Screw With Washer & Nut for Flange	8

Notes:

OFF 215-S need 2pcs of Ladder Stainless Steel step and 4pcs of M8*35 Screw with Washer for Step (AISI304 or AISI316)
 OFF 315-S need 3pcs of Ladder Stainless Steel step and 6pcs of M8*35 Screw with Washer for Step (AISI304 or AISI316)
 OFF 415-S need 4pcs of Ladder Stainless Steel step and 8pcs of M8*35 Screw with Washer for Step (AISI304 or AISI316)
 OFF 515-S need 5pcs of Ladder Stainless Steel step and 10pcs of M8*35 Screw with Washer for Step (AISI304 or AISI316)
 OFF 215-SR need 2pcs of Ladder Stainless Steel Step with Anti-Slippery Pad and 4pcs of Anti-Slippery Pad and 4pcs of M8*35 Screw with Washer for Step (AISI304 or AISI316)
 OFF 315-SR need 3pcs of Ladder Stainless Steel Step with Anti-Slippery Pad and 6pcs of Anti-Slippery Pad and 6pcs of M8*35 Screw with Washer for Step (AISI304 or AISI316)
 OFF 415-SR need 4pcs of Ladder Stainless Steel Step with Anti-Slippery Pad and 8pcs of Anti-Slippery Pad and 8pcs of M8*35 Screw with Washer for Step (AISI304 or AISI316)
 OFF 515-SR need 5pcs of Ladder Stainless Steel Step with Anti-Slippery Pad and 10pcs of Anti-Slippery Pad and 10pcs of M8*35 Screw with Washer for Step (AISI304 or AISI316)
 OFF 215-P need 2pcs of Ladder Plastic Step and 4pcs of M8*35 Screw with Washer for Step (AISI304 or AISI316)
 OFF 315-P need 3pcs of Ladder Plastic Step and 6pcs of M8*35 Screw with Washer for Step (AISI304 or AISI316)
 OFF 415-P need 4pcs of Ladder Plastic Step and 8pcs of M8*35 Screw with Washer for Step (AISI304 or AISI316)
 OFF 515-P need 5pcs of Ladder Plastic Step and 10pcs of M8*35 Screw with Washer for Step (AISI304 or AISI316)

5	01101041	Plastic Wall Fitting for Screw	4
6	02091003	PE Washer	2
7	03011107	M7.5*50 Screw	4
8	89070103	M8*35 Screw with Washer for Step (AISI304)	*
8	89070106	M8*35 Screw with Washer for Step (AISI316)	*
9	89070102	Ladders Stainless Steel Step (AISI304)	*
9	89070105	Ladders Stainless Steel Step (AISI316)	*
9	01051173	Ladders Plastic Step	*
9	89070107	Ladders Stainless Steel Step (AISI316) with Anti-Slippery Pad	*
9	89070108	Ladders Stainless Steel Step (AISI304) with Anti-Slippery Pad	*
10	02141006	Anti-Slippery Pad	*
11	89070104	Cap	2

