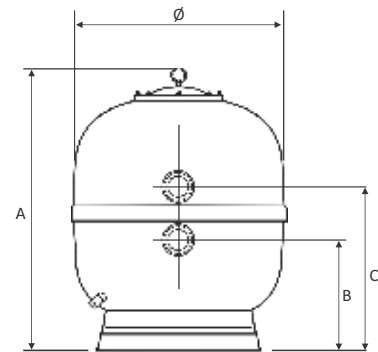


6- FIBERGLASS SAND FILTERS "OCEAN"

- Laminated filters in reinforced polyester.
- Transparent lid with pressure gauge in bars.
- UV resistant.
- Delivered with 6 way valve and connections.
- Maximum working pressure : 2.5 Bar
- Test pressure : 4 Bar.
- Maximum filtration speed : 50 m³/h/m
- Sand granulometry : 0,4 -0,8 mm
- Six way valve included
- 5 years warranty.



CODE	Ø	CONNECTIONS	FLOW (m ³ /h) V=50m ³ /h/m ²	QUARTZ SAND kg	DIMENSIONS			PACKING	WEIGHT kg	VOLUME m ³
					A	B	C			
SO-400	400	1½"	6	50				2	20	0.20
SO-500	500	1½"	9	100	805	290	415	2	22.5	0.26
SO-600	600	1½"	14	175	850	330	455	2	27.5	0.37
SO-750	750	2"	22	300	985	325	555	2	35.5	0.60
SO-900	900	2"	32	400	1050	365	635	2	52.5	1.25