

# SPARE PARTS AND ACCESSORIES



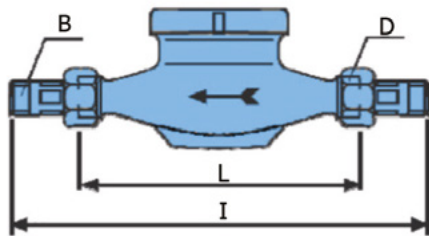
## A-CON

Threaded Water Meters with Pulse output.

### ✓ Technical features

TECHNICAL FEATURES							
Gauge - Size - DN	mm	13	20	25	30	40	50
Qmax max. flow rate (CEE)	m <sup>3</sup> /h	3	5	7	10	20	30
QN Nominal flow rate (CEE)	m <sup>3</sup> /h	1.5	2.5	3.5	5	10	15
Minimum Flow Qmin (CEE)	l/h	30	50	70	100	200	450
Maximum Working Temperature	°C	40	40	40	40	40	40
Max Working Pressure	BAR	16	16	16	16	16	16
Pulse emitter	4 imp / 1lt (k=0.25)						

### 📏 Dimensions



PRODUCT CODE	CONNECTION Ømm	D mm	DN mm	Qn m <sup>3</sup>	PN	L mm	I mm
ADCONRC00	1/2"	3/4"	13	1.5	16	110	190
ADCONRC01	3/4"	1"	20	2.5	16	130	230
ADCONRC02	1"	1 1/4"	25	3.5	16	260	360
ADCONRC03	1 1/4"	1 1/2"	30	5	16	260	380
ADCONRC04	1 1/2"	2"	40	10	16	300	440
ADCONRC05	2"	2 1/2"	50	15	16	300	460

### 🔍 Models

PRODUCT CODE	CONNECTOR	IN-OUT	PULSES	FLOW RATE m <sup>3</sup> /h	PACKING	WEIGHT kg	VOLUME m <sup>3</sup>
ADCONRC00	HIRSMANN	G 1/2"	4 IMP/lt	1.5	1		
ADCONRC000B	BNC	G 1/2"	4 IMP/lt	1.5	1		
ADCONRC01	HIRSMANN	G 3/4"	4 IMP/lt	2.5	1		
ADCONRC010B	BNC	G 3/4"	4 IMP/lt	2.5	1		
ADCONRC02	HIRSMANN	G 1"	4 IMP/lt	3.5	1		
ADCONRC020B	BNC	G 1"	4 IMP/lt	3.5	1		
ADCONRC03	HIRSMANN	G 1 1/4"	4 IMP/lt	5	1		
ADCONRC030B	BNC	G 1 1/4"	4 IMP/lt	5	1		
ADCONRC04	HIRSMANN	G 1 1/2"	4 IMP/lt	10	1		
ADCONRC040B	BNC	G 1 1/2"	4 IMP/lt	10	1		
ADCONRC05	HIRSMANN	G 2"	4 IMP/lt	15	1		
ADCONRC050B	BNC	G 2"	4 IMP/lt	15	1		

# SPARE PARTS AND ACCESSORIES

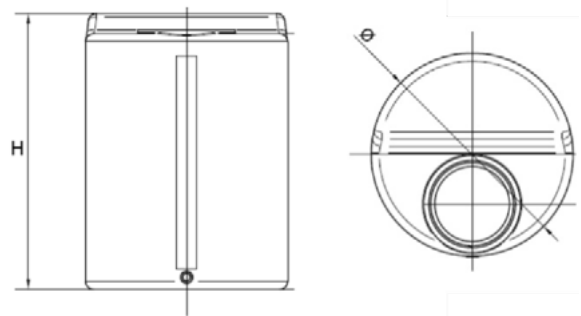


## A-TANK

### ✓ Technical features

- A cylindrical, vertical container with a self-supporting structure, flat bottom and hatch with a threaded cover. Made in non-toxic, UV-stabilized, polyethylene to provide a high protection from atmospheric agents, with a neutral translucent colour.
- The design and structure is based around the liquid it will contain. It has flat upper surfaces, and a 1/2" lower discharge that eases possible couplings.
- It is monolithic, i.e. moulded in a single piece, with no joints. It has a threaded vent lid, closed upon request, and printed visual level indicator. It can be placed on flat surfaces without particular precautions

### 📐 Dimensions



### 🔍 Models

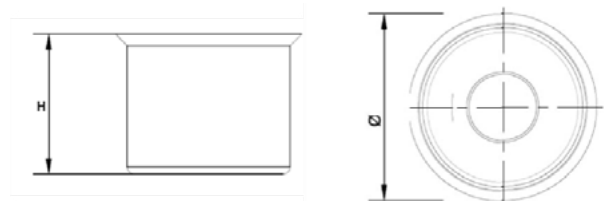
PRODUCT CODE	VOLUME L	DIMENSIONS Ø x Height
ADTANK006	50	400 x 525
ADTANK010	100	500 x 680
ADTANK020	200	500 x 680
ADTANK030	300	770 x 890
ADTANK050	500	885 x 1000
ADTANK100	1000	1100 x 1200

## A-VISC

### ✓ Technical features

- A cylindrical, vertical container with a self-supporting structure and flat bottom, suitable for safely supporting A-TANKS. It is made of non-toxic, UV-stabilised, polyethylene to provide a high protection from atmospheric agents, with a neutral, translucent colour. It is monolithic, i.e. moulded in a single piece, with no joints. It can be placed on flat surfaces without particular precautions.

### 📐 Dimensions



### 🔍 Models

PRODUCT CODE	VOLUME L	DIMENSIONS Ø x Height
ADVISC010	100	700 x 450
ADVISC020	200	800 x 600
ADVISC030	300	900 x 660
ADVISC050	500	1050 x 1000
ADVISC100	1000	1350 x 1050

# SPARE PARTS AND ACCESSORIES



## AG-MAN

Manual mixer with PVC shaft.

### Models

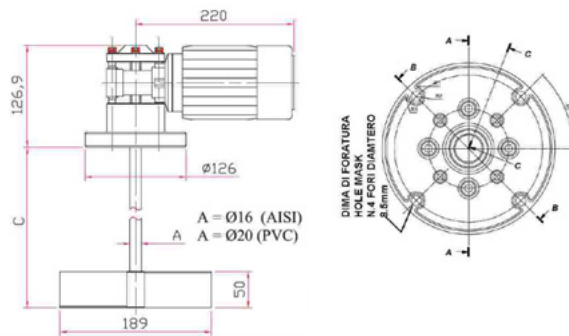
PRODUCT CODE	MODEL	SIZE	TANK L	PACKING	WEIGHT kg	VOLUME m <sup>3</sup>
ADAGMP06	AG - MAN - PVC60	A - TANK 1	100 - 200	1	3	0.02
ADAGMP07	AG - MAN - PVC70	A - TANK 2-3	300	1	3	0.02
ADAGMP09	AG - MAN - PVC90	A - TANK 5-10	500 - 1000	1	3	0.02

## AG-S

### Technical features

- Slow water mixers
- Slow single-phase AG1-PVC /AG1-AISI 70 rpm – Motor 230V 50Hz 0.12HP
- Slow speed three-phase - AG3-PVC/AG3-AISI -70 rpm – Motor 230/380v - 50 Hz - 0.12HP

### Dimensions



### Models

PRODUCT CODE				SIZE	TANK L	MATERIAL	PACKING	WEIGHT kg	VOLUME m <sup>3</sup>
SINGLE-PHASE		THREE-PHASE							
70 rpm	1400 rpm	70 rpm	1400 rpm						
ADAG1P06S	ADAG1P06F	ADAG3P06S	ADAG3P06F	A - TANK 1	100	PVC	1	6	0.03
ADAG1P07S	ADAG1P07F	ADAG3P07S	ADAG3P07F	A - TANK 2-3	200 - 300	PVC	1	7	0.05
ADAG1P08S	ADAG1P08F	ADAG3P08S	ADAG3P08F	A - TANK 5	500	PVC	1	7	0.05
ADAG1P09S	ADAG1P09F	ADAG3P09S	ADAG3P09F	A - TANK 10	1000	PVC	1	7	0.05
ADAG1A06S	ADAG1A06F	ADAG3A06S	ADAG3A06F	A - TANK 1	100	AISI	1	6	0.03
ADAG1A07S	ADAG1A07F	ADAG3A07S	ADAG3A07F	A - TANK 2-3	200 - 300	AISI	1	7	0.05
ADAG1A08S	ADAG1A08F	ADAG3A08S	ADAG3A08F	A - TANK 5	500	AISI	1	7	0.05
ADAG1A09S	ADAG1A09F	ADAG3A09S	ADAG3A09F	A - TANK 10	1000	AISI	1	7	0.05

# SPARE PARTS AND ACCESSORIES

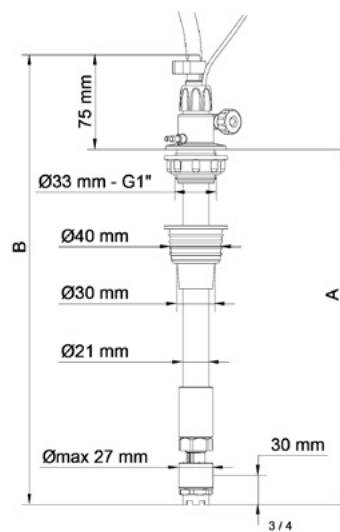


## ADLASM

### ✓ Technical features

- Suction lance with low level probe
- Adjustable length
- Suitable for tanks with small hole (min. 27 mm)
- Connection to 4x6 or 10 x 14 discharge pipe (return line within the tank)
- Probe level and 2m completely protected cable
- Built-in check valve
- Easy maintenance
- Instructions kit
- 2 modes fixing (with 1" ring nut or sleeve)
- Flow rate up to 100 l/h

### 📏 Dimensions



### 🔍 Models

	STANDARD VERSION	UPON REQUEST
BODY	PP - PVC -VITON	PP - PVE - DUTRAL
BODY VALVE	PYREX	-
O-RINGS	Viton®	Dutral®

TOTAL LENGTH (B) mm	Suitable for tank lit	Adjustable length (A) mm
400	5 - 10	120 -> 300
490	30	120 -> 390
700	60 ADTANK006	120 -> 600
700	100 ADTANK010	120 -> 600
940	200 ADTANK020	120 -> 840
940	300 ADTANK030	120 -> 840
1420	500 ADTANK050	120 -> 1320
1420	1000 ADTANK100	120 -> 1320

	CAPACITY	BALLS/O-RINGS MATERIALS		LOW LEVEL PROBE		PIP CONNECTION	
0	T-A tank 5/10 lt	0	GL - VT	0	Low level probe without connector	0	4 x 6
1	T-A tank 60/100 lt	A	GL - DT	B	Level probe with BNC connector	1	10 x 14
2	T-A tank 30 lt			C	Low level probe with HIRSHMANN connector		
3	T-A tank 200/300 lt						
5	T-A tank 500 lt						

# SPARE PARTS AND ACCESSORIES

## Models

PRODUCT CODE	DESCRIPTION	HEIGHT mm	TANK L	mm	O-RING	PIPE	CONNECTOR m <sup>3</sup>
ADLASM0000	Suction nozzle T-A (5/10l - H400) GL-VT 4x6 C/probe LEV.-S/CONN	400	5-10	155-300	Viton®	4 x 6	-
ADLASM00C0	Suction nozzle T-A (5/10l - H400) GL-VT 4x6 C/probe LEV.-C/CONN	400	5-10	155-300	Viton®	4 x 6	HIRSHMANN
ADLASM00B0	Suction nozzle T-A (5/10l - H400) GL-VT 4x6 C/probe LEV.-S/BNC	400	5-10	155-300	Viton®	4 x 6	BNC
ADLASM2000	Suction nozzle T-A (30l - H490) GL-VT 4x6 C/probe LEV.-S/CONN	490	30	155-390	Viton®	4 x 6	-
ADLASM20C0	Suction nozzle T-A (30l - H490) GL-VT 4x6 C/probe LEV.-C/CONN	490	30	155-390	Viton®	4 x 6	HIRSHMANN
ADLASM20B0	Suction nozzle T-A (30l - H490) GL-VT 4x6 C/probe LEV.-S/BNC	490	30	155-390	Viton®	4 x 6	BNC
ADLASM1000	Suction nozzle T-A (60l-100l-H700) GL-VT 4x6 C/probe LEV.-S/CONN	700	60-100	115-600	Viton®	4 x 6	-
ADLASM10C0	Suction nozzle T-A (60l-100l-H700) GL-VT 4x6 C/probe LEV.-C/CONN	700	60-100	115-600	Viton®	4 x 6	HIRSHMANN
ADLASM10B0	Suction nozzle T-A (60l-100l-H700) GL-VT 4x6 C/probe LEV.-C/BNC	700	60-100	115-600	Viton®	4 x 6	BNC
ADLASM3000	Suction nozzle T-A (2/300l - H940) GL-VT 4x6 C/probe LEV.-S/CONN	940	200-300	115-840	Viton®	4 x 6	-
ADLASM30C0	Suction nozzle T-A (2/300l - H940) GL-VT 4x6 C/probe LEV.-C/CONN	940	200-300	115-840	Viton®	4 x 6	HIRSHMANN
ADLASM30B0	Suction nozzle T-A (2/300l - H940) GL-VT 4x6 C/probe LEV.-S/BNC	940	200-300	115-840	Viton®	4 x 6	BNC
ADLASM3001	Suction nozzle T-A (2/300l - H940) GL-VT 4x6 C/probe LEV.-S/CONN	940	200-300	115-840	Viton®	10 x 14	-
ADLASM30C1	Suction nozzle T-A (2/300l - H940) GL-VT 4x6 C/probe LEV.-C/CONN	940	200-300	115-840	Viton®	10 x 14	HIRSHMANN
ADLASM30B1	Suction nozzle T-A (2/300l - H940) GL-VT 4x6 C/probe LEV.-S/BNC	940	200-300	115-840	Viton®	10 x 14	BNC
ADLASM5000	Suction nozzle T-A (500/1000l - H1420) GL-VT 4x6 C/probe LEV.-S/CONN	1420	500-1000	115-1320	Viton®	4 x 6	-
ADLASM50C0	Suction nozzle T-A (500/1000l - H1420) GL-VT 4x6 C/probe LEV.-C/CONN	1420	500-1000	115-1320	Viton®	4 x 6	HIRSHMANN
ADLASM50B0	Suction nozzle T-A (500/1000l - H1420) GL-VT 4x6 C/probe LEV.-S/BNC	1420	500-1000	115-1320	Viton®	4 x 6	BNC
ADLASM5001	Suction nozzle T-A (500/1000l - H1420) GL-VT 4x6 C/probe LEV.-S/CONN	1420	500-1000	115-1320	Viton®	10 x 14	-
ADLASM50C1	Suction nozzle T-A (500/1000l - H1420) GL-VT 4x6 C/probe LEV.-C/CONN	1420	500-1000	115-1320	Viton®	10 x 14	HIRSHMANN
ADLASM50B1	Suction nozzle T-A (500/1000l - H1420) GL-VT 4x6 C/probe LEV.-C/BNC	1420	500-1000	115-1320	Viton®	10 x 14	BNC

CHEMICAL DOSING EQUIPMENT

# SPARE PARTS AND ACCESSORIES



ADSP6020221



ADBAS100

PRODUCT CODE	MODEL
ADSP6020221	Wall mounting bracket (HC100-150-151-897-997-899-999)
ADSP6020156	Wall mounting bracket (TECHNOPOOL)
ADBAS100	Foot mounting bracket (HC150-151-897-997-899-999)



ADSP6000078



ADSP6000028



ADSP6200031



ADSP6000001



ADSP6200007



ADCAN3



ADSLG



ADSLG4

PRODUCT CODE	MODEL	MEASURE	LENGTH
ADSP6000078	PE delivery tube	4 x 6	2m
ADSP6000370	PE delivery tube	6 x 8	1m (100 min.)
ADSP6000016	PE delivery tube	10 x 14	1m (50m min.)
ADSP6000546	PVC crystal bleed of tube - PVC crystal suction tube	4 x 6	2m
ADSP6000440	PVC crystal bleed of tube - PVC crystal suction tube	6 x 8	1m (100 min.)

PRODUCT CODE	MODEL	CONNECTION	MATERIAL
ADSP6000028	PVDF foot valve (HC897-997-999-201)	4 x 6	PVDF-PTFE-VT
ADSP6200031	PVDF injection valve M - 1/2" Gas (HC897-997-999-201)	G1/2" - 4 x 6	PVDF-PTFE-VT
ADSP6000001	PP foot valve (HC150-151)	4 x 6	PP-GL-VT
ADSP6200007	PP injection valve M - 1/2" Gas (HC150-151)	4 x 6	PP-GL-VT
ADCAN3	Injection fitting extension quill. PVC double thread 3/8"- 1/2" GM-1/2" GF		
ADSLG	A-SL	HIRSHMANN	
ADSLG4	A-SL	BNC	
ADSLG1	A-SL	-	

CHEMICAL DOSING EQUIPMENT

# SPARE PARTS AND ACCESSORIES



PRODUCT CODE	DESCRIPTION	MODEL	LENGTH
ADELTPH01	Combination pH/Rx electrodes With Bonded cable Epoxy body Max pressure 3 BAR Max temperature 50 °C	A-pH 1	1m
ADELTPH05		A-pH 5	5m
ADELTPH10		A-pH 10	10m
ADELTRX01		A-R x 1	1m
ADELTRX05		A-R x 5	5m
ADELTRX10		A-R x 10	10m
ADELTRX05G		A-R x 5 Gold	5m
ADELVPH	Combination pH/Rx electrodes. Glass body. Max pressure 5 BAR. Max Temperature 80 ° C	A-VpH	
		A-VRx	
ADELVRX	Combination pH/Rx electrodes. Epoxy body. Max pressure 5 BAR. Max Temperature 40 ° C	A-PpH	
		A-PRx	
ADCV01	Coaxial Cable for use with electrode with a BNC / SN6	A-CV 1	1
ADCV02		A-CV 2,5	2,5
ADCV05		A-CV 5	5
ADCV10		A-CV 10	10
ADCV15		A-CV 15	15
ADCV20		A-CV 20	20



PRODUCT CODE	DESCRIPTION	MODEL	CONNECTIONS
ADPSM097	COMPLETE modular probe holder, com-ponible up to 5 module, PVC body, Viton® seals, max pressure 5 BAR, working term-perature 5-60 °C.	Modular probe holder with filter - 1x A-EL - GF 1/2"	G 1/2"-10x14
ADPSM01233		Modular probe holder with filter - Flow sensor - 2x A-EL	G 1/2"-10x14
ADPSM0126		Modular probe holder with filter - Flow sensor - 1x A-J	G 1/2"-10x14

PRODUCT CODE	DESCRIPTION	PIPE DIAMETER	MATERIAL	CONNECTIONS
ADPSTC	Collar injection probe holder 2 in 1	DN 50-63	PP-VL-VT	4 X 6

PRODUCT CODE	DESCRIPTION	MODEL	CONNECTIONS
ADSP6000111	COLLAR D50x1/2" PVC	DN 50	G 1/2 "
ADSP6000113	COLLAR D63x1/2" PVC	DN 63	G 1/2 "

PRODUCT CODE	MODEL	PROBES	CONNECTIONS
ADPST1	Threaded probe holder	pH-Rx-Ø 12mm	G 1/2 "
ADPSD	Modular probe holder with 2 pH-Rx probes compatible		G 3/8 " - 4 x 6
ADPSD2	Modular probe holder with 2 pH-Rx probes compatible		G 1/2 " - 10 x 14

PRODUCT CODE	MODEL	CONNECTIONS (mt)
ADPSI05	Immersion probe holder for pH-Rx probe	0,5
ADPSI10	Immersion probe holder for pH-Rx probe	1
ADPSI15	Immersion probe holder for pH-Rx probe	1,5
ADPSI20	Immersion probe holder for pH-Rx probe	2
ADPSI30	Immersion probe holder for pH-Rx probe	3



# SPARE PARTS AND ACCESSORIES



PRODUCT CODE	MODEL	USE	RANGE ppm
ADCG2	Pt-Cu amperometric probe for free chlorine	Inorganic chlorine	0 -10
ADCG5F	Pt-Cu amperometric probe for free chlorine + flow + probe	Inorganic chlorine	0 -10
ADCG6F	Pt-Cu amperometric probe for free chlorine + flow + 2 probes	Inorganic chlorine	0 -10
ADSP4000620	Replacement kit for Pt-Cu electrode		
ADSP6500009	Balls replacement kit		
ADELCLJ05	Amperometric probe for free chlorine reading	Inorganic chlorine	0-5
ADELCLJ22	Amperometric probe for free chlorine reading low pH influence	Inorganic chlorine	0-2
ADELCLJ25	Amperometric probe for free chlorine reading low pH influence	Inorganic chlorine	0-5
ADELCLJ35	Amperometric probe for total chlorine reading low pH influence	Total chlorine	0-5
ADELCLJB10	Amperometric probe for free chlorine mv signal	Organic chlorine	0-10
ADSP6020051	A-J connection cable		
ADELCLJCC1	Electrolytic solution -ecc1-a-j-probe-adelclj25/220 probe		
ADELCLJM482	Ion-selective membrane m48.2-a-j probe-adelclj25/220/25s probe		

PRODUCT CODE	DESCRIPTION	MODEL	VALUE
ADSPH4	Buffer solution	pH	4 pH
ADSPH7		pH	7 pH
ADSPH9		pH	9 pH
ADSRX		Rx	475 mV

PRODUCT CODE	MODEL	CONNECTION	MATERIAL	RANGE °C	Compatibility
ADSTS100	100 Probe body PVC-electrode AISI	MG 1/2"	PVC-AISI	0 - 60	ADSTS100
ADSTS100NC	PT 100 probe body PVC	DN 12	PVC	0 - 40	ADSTS100NC
ADSP4000622	Oring for adaptator (ADSP4000622)	MG 3/4"- FG 1/2"	PVC	-	-
ADSP5007205	Oring for adaptator (ADSP4000622)	-	Viton®	-	-



PRODUCT CODE	MODEL	FLOW RATE	PRESSURE	PIPE
ADSP8000109N	Isipool - Technopool - Litepool spare pipe	1,4-3	1	4 x 6
ADSP9000100	Pump body HC 150-151 PP-GL-VT	2-35	20	4 x 6
ADSP900P000	Pump body HC , HC AQUA POOL PVDF-PTFE-VT	2-35	20	4 x 6

CHEMICAL DOSING EQUIPMENT





Your global partner since 1974. Trusted for superior quality and exceptional innovations.



## Head Office

### AQUA S.p.A

42018 San Martino in Rio, Reggio Emilia  
Italy - Via Crotti, 1  
P : +39 0522 695805/85 - F : +39 0522 646160  
aqua@aqua.it | www.aqua.it

### AQUA S.p.A - POOL DIVISION

46043 Castiglione d. Stiviere, Mantova - Italy  
P : +39 0376 671973 - F : +39 0376 940139  
infpools@aqua.it | www.aqua.it



## Branches

### AQUA WATER SYSTEMS LTD

Unit 135 Oak Drive Hartlebury Trading Estate,  
Worcestershire, DY10 4JB  
P : +44 (0)1299 251050, F : +44 (0)1299 253704  
sales@askaqua.co.uk | www.askaqua.co.uk

### AQUA FILTRACION S.A.

Pol. Ind. Castellbisbal Sud 08755  
Castellbisbal, Barcelona  
P : +34 (0)93 7711855, F : +34 (0)93 7711772  
info@aqua.es | www.aqua.es

### AQUA SU ARITIMI SAN. VE MUH. TIC. LTD. STI.

Ferhatpasa Mahallesi Maresal Fevzi Cakmak  
Cad. No:45 Pk.34888 Atasehir / Istanbul - Turkey  
P : +90 216 661 60 60, F : +90 216 661 68 50  
info@aqua.com.tr | www.aqua.com.tr

### AQUA MIDDLE EAST FZC

1J-07/4 and 1J-07/3 - Hamriyah Free Zone  
P.O.Box 42585 Sharjah - United Arab Emirates  
P : +971 6 526 0563, F : +971 6 526 0564  
contact@aqua-me.ae  
www.aqua-me.ae

### AQUA WATER SYSTEMS INDIA PVT LTD

4A/4B/4C-,Puttappa Industrial Estate  
Mahadevapura Post, White Field Road,  
Bangalore 560 048  
P : 0091 80 4152 1313, F : 0091 80 4152 1414  
contact@aquaindia.in | sales@aquaindia.in  
www.aquaindia.in

### AQUA GROUP RUS

Juridical Address:  
107014, Egerskaya str, 1, Moscow, Russia  
Residence Address:  
127081, Chermianskaya str, 3, Moscow, Russia  
P : +7 495 6458078, F : +7 495 969 2413  
mail@aqua-italy.ru | www.aqua-italy.ru  
www.aqua.it

### AQUA GROUP LLC

Office : Regus – Sarayat EL Maadi, Egypt  
Management & Warehouse : Plot no 2-2nd service  
axe, 2nd Industrial Zone, October, Egypt  
P : +20 2 3820 2259 | info@aqua.eg