

PVC FITTINGS 19/12

PVC VALVE

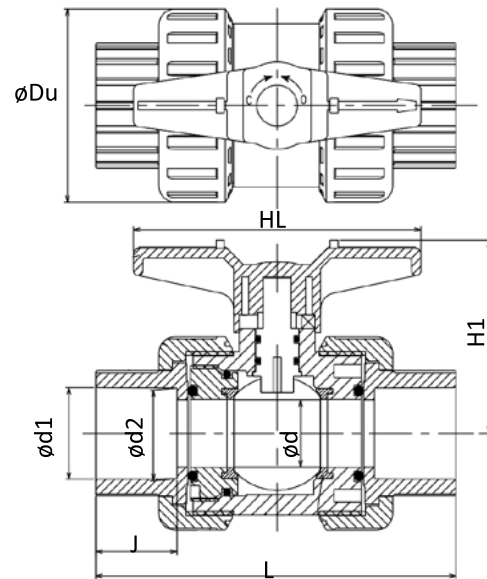


TRUE UNION BALL VALVE

✓ Technical features

- Size: 1/2" - 2"
- Full port design
- Easy maintenance
- Socket or threaded end

📏 Dimensions



🔍 Models

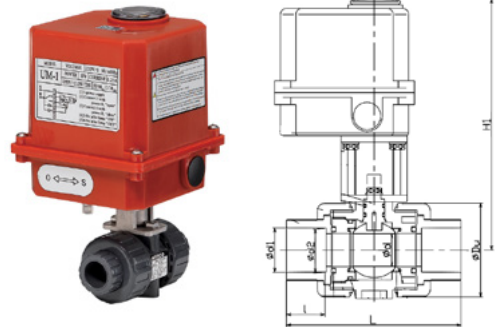
PRODUCT CODE	DESCRIPTIONS	SIZE	ASTM				DIN		JIS					
			L	$\varnothing d$	$\varnothing Du$	$\varnothing d1$	$\varnothing d2$	$\varnothing d1$	$\varnothing d2$	$\varnothing d1$	$\varnothing d2$	L	H1	HL
BDG15U	PVC BALL VALVE	1/2"	105	15	53	21.54	21.23	20.3	20.1	22.40	21.52	22.5	53	84
BDG20U	PVC BALL VALVE	3/4"	117	20	61	26.87	26.57	25.3	25.1	26.45	25.42	26	61	90
BDG25U	PVC BALL VALVE	1"	133	25	71	33.67	33.27	32.3	32.1	32.55	31.37	30	71	106
BDG32U	PVC BALL VALVE	1-1/4"	147	32	83	42.42	42.04	40.3	40.1	38.60	37.31	32	82.5	116
BDG40U	PVC BALL VALVE	1-1/2"	167	40	96	48.56	48.11	50.3	50.1	48.70	47.21	36	91	128
BDG50U	PVC BALL VALVE	2"	180	50	116	60.63	60.17	63.3	63.1	60.80	59.10	40	110	140

PVC VALVE

ELECTRIC ACTUATOR BALL VALVE (BEE)

✓ Technical features

- Size: ½" - 4"
- Easy to assemble limit switch
- Various optional accessories available on request



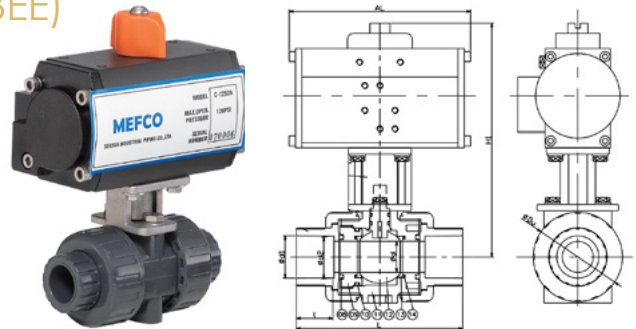
🔍 Models

PRODUCT CODE	DESCRIPTIONS	SIZE	ASTM				DIN		JIS				
			L	Ød	ØDu	Ød1	Ød2	Ød1	Ød2	Ød1	Ød2	L	H1
BEG15U	ELECTRIC ACTUATOR BALL VALVE	1/2"	104	15	53	21.54	21.23	20.3	20.1	22.40	21.52	22	197
BEG20U	ELECTRIC ACTUATOR BALL VALVE	3/4"	117	20	61	26.57	26.57	25.3	25.1	26.45	25.42	25	202
BEG25U	ELECTRIC ACTUATOR BALL VALVE	1"	132	25	71	33.27	33.27	32.3	32.1	32.55	31.37	30	231
BEG32U	ELECTRIC ACTUATOR BALL VALVE	1-1/4"	147	32	83	42.04	42.04	40.3	40.1	38.60	37.31	33	235
BEG40U	ELECTRIC ACTUATOR BALL VALVE	1-1/2"	167	40	96	48.56	48.11	50.3	50.1	48.70	47.21	35	242
BEG50U	ELECTRIC ACTUATOR BALL VALVE	2"	179	50	116	60.63	60.17	63.3	63.1	60.80	59.10	38	290
BEG65U	ELECTRIC ACTUATOR BALL VALVE	2-1/2"	241	63	150	73.38	72.85	75.3	75.1	76.60	5.33	30	308
BEG80U	ELECTRIC ACTUATOR BALL VALVE	3"	271	75	166	89.31	88.70	90.3	90.1	89.60	88.29	33	317
BEG1HU	ELECTRIC ACTUATOR BALL VALVE	4"	323	97	210	114.76	114.07	110.4	110.1	114.70	113.20	35	412

ELECTRIC ACTUATOR BALL VALVE (BEE)

✓ Technical features

- Size: ½" - 4"
- Easy to assemble limit switch
- Various optional accessories available on request



🔍 Models

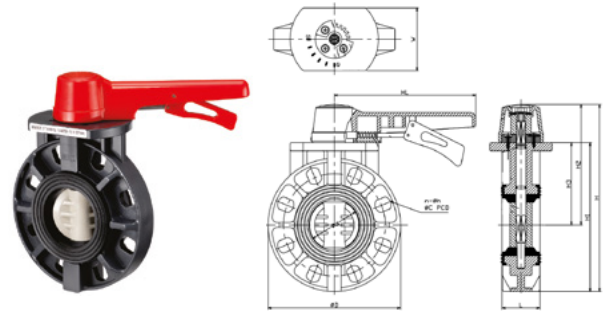
PRODUCT CODE	DESCRIPTIONS	SIZE	ASTM				DIN		JIS				
			L	Ød	ØDu	Ød1	Ød2	Ød1	Ød2	Ød1	Ød2	L	H1
BAG15U	PNEUMATIC ACTUATOR BALL VALVE	1/2"	104	15	53	21.54	21.23	20.3	20.1	22.40	21.52	22.5	197
BAG20U	PNEUMATIC ACTUATOR BALL VALVE	3/4"	117	20	61	26.57	26.57	25.3	25.1	26.45	25.42	26	202
BAG25U	PNEUMATIC ACTUATOR BALL VALVE	1"	132	25	71	33.27	33.27	32.3	32.1	32.55	31.37	30	231
BAG32U	PNEUMATIC ACTUATOR BALL VALVE	1-1/4"	147	32	83	42.04	42.04	40.3	40.1	38.60	37.31	32	235
BAG40U	PNEUMATIC ACTUATOR BALL VALVE	1-1/2"	167	40	96	48.56	48.11	50.3	50.1	48.70	47.21	36	242
BAG50U	PNEUMATIC ACTUATOR BALL VALVE	2"	179	50	116	60.63	60.17	63.3	63.1	60.80	59.10	40	290
BAG65U	PNEUMATIC ACTUATOR BALL VALVE	2-1/2"	241	63	150	73.38	72.85	75.3	75.1	76.60	5.33	45	308
BAG80U	PNEUMATIC ACTUATOR BALL VALVE	3"	271	75	166	89.31	88.70	90.3	90.1	89.60	88.29	48	317
BAG1HU	PNEUMATIC ACTUATOR BALL VALVE	4"	323	97	210	114.76	114.07	110.4	110.1	114.70	113.20	58	412

PVC VALVE

PVC BUTTERFLY VALVE / LEVER HANDLE / EPDM2"

✓ Technical features

- Size: 2"- 8"
- Ideally suited in the limited piping space
- PVC or GF-PP body for choice
- Disk position identification



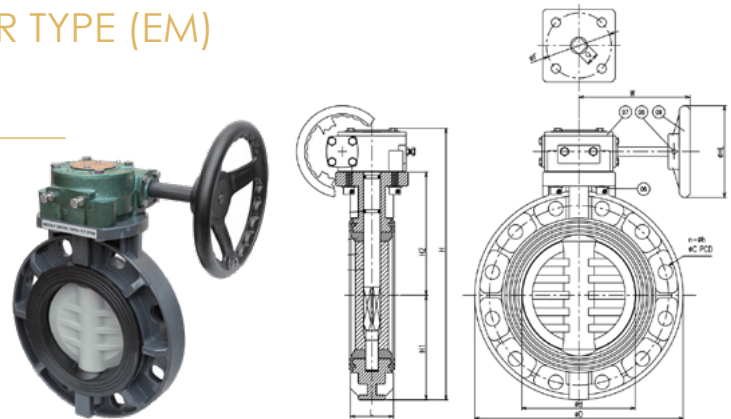
Q Models

PRODUCT CODE	DESCRIPTION	SIZE	ANSI 150PSI					DIN PN 10			JIS 10K					
			L	Ød	ØD	ØC	n-Øh	ØC	n-Øh	ØC	n-Øh	H	H1	H2	W	HL
ENG50U	PVC BUTTERFLY VALVE	2"	47.5	50	162	120.7	4-19	125	4-18	120	4-19	240	187	159	92	208
ENG65U	PVC BUTTERFLY VALVE	2-1/2"	42.5	64	178.5	139.5	4-19	145	4-18	140	4-19	259	203	170	92	208
ENG80U	PVC BUTTERFLY VALVE	3"	54	73	195	152.4	4-19	160	8-18	150	4-19	273	217	176	92	208
ENG1HU	PVC BUTTERFLY VALVE	4"	55	98	225	190.5	8-19	180	8-18	175	4-19	309	246	189	92	208
ENGIQU	PVC BUTTERFLY VALVE	5"	62	123	256	215.9	8-19	210	8-18	210	4-19	339	280	211	110	280
ENG1FU	PVC BUTTERFLY VALVE	6"	66	143	282	241.5	8-22	240	8-23	240	4-19	368	308	227	110	280
ENG2HU	PVC BUTTERFLY VALVE	8"	71	185	345	298.5	8-22	295	8-23	290	4-19	450	376	278	120	300

BUTTERFLY VALVE - WORM GEAR TYPE (EM)

✓ Technical features

- Size: 6- 12
- Ideally suited in the limited piping space
- PVC or GF-PP body for choice
- CE approved for 8" - 12"



Q Models

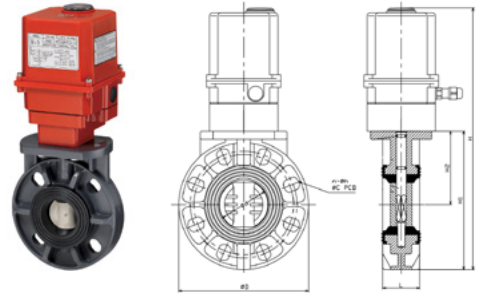
PRODUCT CODE	DESCRIPTIONS	SIZE	ANSI 150PSI					DIN PN 10			JIS 10 K							
			L	Ød	ØD	ØC	n-Øh	ØC	n-Øh	ØC	n-Øh	H	H1	H2	W	ØF	Q	ØHL
EMG1FU	PVC BUTTERFLY VALVE	6"	66	143	282	241.5	8-22	240	8-23	240	8-23	379	140	168	189	102	22	202
EMG2HU	PVC BUTTERFLY VALVE	8"	71	185	345	298.5	8-22	295	8-23	290	12-23	447	173	203	189	102	22	202
EMG2FU	PVC BUTTERFLY VALVE	10"	90	234	413	362	12-25	350	12-23	355	12-25	522	207	242	189	102	22	202
EMG3HU	PVC BUTTERFLY VALVE	12"	101.5	282	491	431.5	12-25	400	12-23	400	16-25	630	245	280	234	125	27	202

PVC VALVE

ELECTRIC ACTUATOR BALL VALVE (EE)

✓ Technical features

- Size: 2"- 12"
- Efficient operation in the limited piping space
- Easy to assemble limit switch
- Various attachable accessories available on request



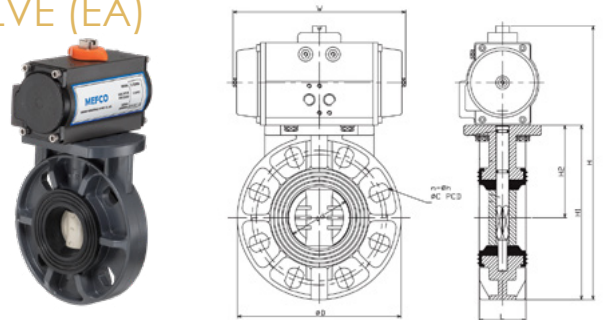
Q Models

PRODUCT CODE	DESCRIPTION	SIZE	ASTM 150PSI					DIN PN 10		JIS 10K				
			L	Ød	ØD	ØC	n-Øh	ØC	n-Øh	ØC	n-Øh	H	H1	H2
EEG50U	EL ACTUATOR BUTTERFLY VALVE	2"	47.5	50	162	120.7	4-19	125	4-18	120	4-19	369	184	103
EEG65U	EL ACTUATOR BUTTERFLY VALVE	2-1/2"	42.5	64	178.5	139.5	4-19	145	4-18	140	4-19	388	203	114
EEG80U	EL ACTUATOR BUTTERFLY VALVE	3"	54	73	195	152.4	4-19	160	8-18	150	8-19	403	218	121
EEG1HU	EL ACTUATOR BUTTERFLY VALVE	4"	55	98	225	190.5	8-19	180	8-18	175	8-19	417	252	139
EEG1QU	EL ACTUATOR BUTTERFLY VALVE	5"	62	123	256	215.9	8-19	210	8-18	210	8-23	444	279	151
EEG1FU	EL ACTUATOR BUTTERFLY VALVE	6"	66	143	282	241.5	8-22	240	8-23	240	8-23	473	308	166
EEG2HU	EL ACTUATOR BUTTERFLY VALVE	8"	71	185	345	298.5	8-22	295	8-23	290	12-23	616	376	204

PNEUMATIC ACTUATOR BUTTERFLY VALVE (EA)

✓ Technical features

- Size: 2"- 12"
- Efficient operation in the limited piping space
- Easy to assemble limit switch
- Various attachable accessories available on request



Q Models

PRODUCT CODE	DESCRIPTIONS	SIZE	ASTM 150PSI					DIN PN10		JIS10K		DOUBLE ACTION		SPRING RETURN			
			L	Ød	ØD	ØC	n-Øh	ØC	n-Øh	ØC	n-Øh	H	W	H	W	H1	H2
EAG50U	PNEUMATIC ACTUATOR BALL VALVE	2"	47.5	50	162	125	4-19	125	4-18	120	4-19	283	144.3	302	205	184	103
EAG65U	PNEUMATIC ACTUATOR BALL VALVE	2-1/2"	42.5	64	178.5	145	4-19	145	4-18	140	4-19	302	144.3	321	205	203	114
EAG80U	PNEUMATIC ACTUATOR BALL VALVE	3"	54	73	195	160	4-19	160	8-18	150	8-19	336	149.2	336	205	218	121
EAG1HU	PNEUMATIC ACTUATOR BALL VALVE	4"	55	98	225	180	8-19	180	8-18	175	8-19	370	149.2	393	250	252	139
EAG1QU	PNEUMATIC ACTUATOR BALL VALVE	5"	62	123	256	210	8-19	210	8-18	210	8-23	397	149.2	420	250	279	151
EAG1FU	PNEUMATIC ACTUATOR BALL VALVE	6"	66	143	282	240	8-22	240	8-23	240	8-23	449	183	469	355	308	166
EAG2HU	PNEUMATIC ACTUATOR BALL VALVE	8"	71	185	345	295	8-22	295	8-23	290	12-25	516	260	537	355	376	204

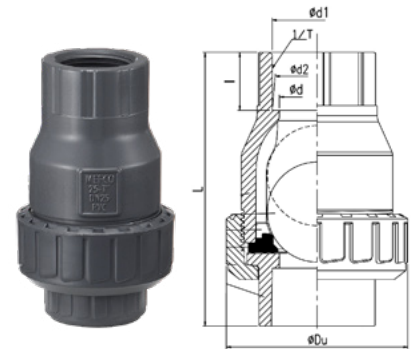
PVC FITTINGS 19/12

PVC VALVE

BALL CHECK VALVE (CB)

✓ Technical features

- Size: 1/2"- 4"
- Ball type
- Socket or threaded end
- Available in grey



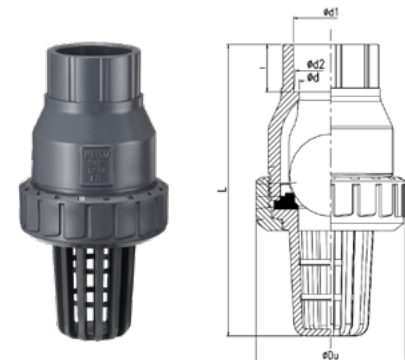
Q Models

PRODUCT CODE	DESCRIPTIONS	SIZE	ANSI						DIN				JIS			
			Ød	ØDu	Ød1	Ød2	I	L	Ød1	Ød2	I	L	Ød1	Ød2	I	L
CBG15U	PVC BALL CHECK VALVE	1/2"	16	49	21.54	21.23	22.2	83	20.3	20.1	16	83	22.3	21.7	22	98
CBG20U	PVC BALL CHECK VALVE	3/4"	20	59	26.87	26.27	25.4	99	25.3	25.1	19	99	26.3	25.7	25	118
CBG25U	PVC BALL CHECK VALVE	1"	25	67	33.65	33.27	28.6	106	32.3	32.1	22	106	32.3	31.67	29	124
CBG32U	PVC BALL CHECK VALVE	1-1/4"	32	98	42.42	42.04	31.8	149	40.3	40.1	26	149	38.4	37.57	32	153
CBG40U	PVC BALL CHECK VALVE	1-1/2"	40	98	48.56	48.11	35.0	142	50.3	50.1	31	142	48.5	47.54	35	153
CBG50U	PVC BALL CHECK VALVE	2"	50	120	60.63	60.17	38.1	173	63.3	63.1	38	173	60.6	59.44	38	180
CBG65U	PVC BALL CHECK VALVE	2-1/2"	65	150	73.38	72.85	44	218	75.3	75.1	44	218	76.6	75.33	61	259
CBG80U	PVC BALL CHECK VALVE	3"	80	186	89.31	88.70	51	269	90.3	90.1	51	269	89.6	88.29	64	305
CBG1HU	PVC BALL CHECK VALVE	4"	102	228	114.76	114.1	61	348	110.4	110.1	61	348	114.7	113.2	84	408

FOOT VALVE (FB)

✓ Technical features

- Size: 1/2"- 4"
- Ball type
- Socket or threaded end
- Available in grey



Q Models

PRODUCT CODE	DESCRIPTIONS	SIZE	ANSI						DIN				JIS			
			Ød	ØDu	Ød1	Ød2	I	L	Ød1	Ød2	I	L	Ød1	Ød2	I	L
FBG20U	PVC FOOT VALVE	1/2"	16	49	21.54	21.23	22.2	119	20.3	20.1	16	112	22.30	21.7	22	119
FBG20U	PVC FOOT VALVE	3/4"	20	59	26.87	26.27	25.4	140	25.3	25.1	19	133	26.30	25.7	25	140
FBG25U	PVC FOOT VALVE	1"	25	67	33.65	33.27	28.6	151	32.3	32.1	22	144	32.33	31.67	29	151
FBG32U	PVC FOOT VALVE	1-1/4"	32	98	42.42	42.04	31.8	205	40.3	40.1	26	201	38.43	37.57	32	205
FBG40U	PVC FOOT VALVE	1-1/2"	40	98	48.56	48.11	35.0	205	50.3	50.1	31	201	48.46	47.54	35	205
FBG50U	PVC FOOT VALVE	2"	50	120	60.63	60.17	38.1	234	63.3	63.1	38	233	60.56	59.44	38	235
FBG65U	PVC FOOT VALVE	2-1/2"	65	150	73.38	72.85	44.5	293	75.3	75.1	44	293	76.60	75.33	61	313
FBG80U	PVC FOOT VALVE	3"	80	186	89.31	88.70	47.7	345	90.3	90.1	51	349	89.60	88.29	64	364
FBG1HU	PVC FOOT VALVE	4"	102	228	114.76	114.1	57.2	457	110.4	110.1	61	461	114.70	113.2	84	488



Your global partner since 1974. Trusted for superior quality and exceptional innovations.



Head Office

AQUA S.p.A

42018 San Martino in Rio, Reggio Emilia
Italy - Via Crotti, 1
P: +39 0522 695805/85 - F: +39 0522 646160
aqua@aqua.it | www.aqua.it

AQUA S.p.A - POOL DIVISION

46043 Castiglione d. Stiviere, Mantova - Italy
P: +39 0376 671973 - F: +39 0376 940139
infopools@aqua.it | www.aqua.it



Branches

AQUA WATER SYSTEMS LTD

Unit 135 Oak Drive Hartlebury Trading Estate,
Worcestershire, DY10 4JB
P: +44 (0)1299 251050, F: +44 (0)1299 253704
sales@askaqua.co.uk | www.askaqua.co.uk

AQUA FILTRACION S.A.

Pol. Ind. Castellbisbal Sud 08755
Castellbisbal, Barcelona
P: +34 (0)93 7711855, F: +34 (0)93 7711772
info@aqua.es | www.aqua.es

AQUA SU ARITIMI SAN. VE MUH. TIC. LTD. STI.

Ferhatpasa Mahallesi Maresal Fevzi Cakmak
Cad. No:45 Pk.34888 Atasehir / Istanbul - Turkey
P: +90 216 661 60 60, F: +90 216 661 68 50
info@aqua.com.tr | www.aqua.com.tr

AQUA MIDDLE EAST FZC

1J-07/4 and 1J-07/3 - Hamriyah Free Zone
P.O.Box 42585 Sharjah - United Arab Emirates
P: +971 6 526 0563, F: +971 6 526 0564
contact@aqua-me.ae
www.aqua-me.ae

AQUA WATER SYSTEMS INDIA PVT LTD

4A/4B/4C-,Puttappa Industrial Estate
Mahadevapura Post, White Field Road,
Bangalore 560 048
P: 0091 80 4152 1313, F: 0091 80 4152 1414
contact@aquaindia.in | sales@aquaindia.in
www.aquaindia.in

AQUA GROUP RUS

Juridical Address:
107014, Egerskaya str, 1, Moscow, Russia
Residence Address:
127081, Chermianskaya str, 3, Moscow, Russia
P: +7 495 6458078, F: +7 495 969 2413
mail@aqua-italy.ru | www.aqua-italy.ru
www.aqua.it

AQUA GROUP LLC

Office : Regus – Sarayat EL Maadi, Egypt
Management & Warehouse : Plot no 2-2nd service
axe, 2nd Industrial Zone, October, Egypt
P: +20 2 3820 2259 | info@aqua.eg

PVC FITTINGS