

CHEMICAL DOSING EQUIPMENT | 08/02

SOLENOID DRIVEN DOSING PUMPS



HC 151 + CST

For private pools requiring regular dosing of acid/alkaline corrector, chlorine or other disinfectants

✓ Technical features

- Analogic solenoid driven dosing pump
- Constant dosing mode.
- Reinforced PP housing, suitable for aggressive working environment
- Strokes frequency percentage setting
- Flow rate setting: 0-100% or from 0-20%
- Power supply range: 100-240V AC, 50/60Hz

- Protection rating: IP65
- Wall mounting bracket supplied with installation kit

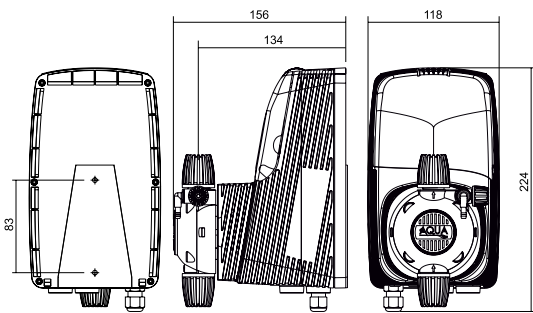
Working mode:

- Constant flow-rate On/Off mode (flow rate in %)
- 3 different selectable performance mode setup

Package dimensions:

- L 405mm x H 270mm x W 515mm

📏 Dimensions



Technical features	Standard version
PUMP BODY	PP
PUMP HOUSING	PP
DIAPHRAGM	PTFE
BALLS	PYREX
BODY VALVES	PP
O-RINGS	Viton®
SPRING LOADED INJECTION VALVE	Hastelloy/Pyrex
FOOT VALVE	PP
POWER SUPPLY	110Vac - 60Hz / 240 /Vac -50 Hz

🔍 Models

PRODUCT CODE	SOLENOID	TYPE	FLOW RATE l/h	PRESSURE bar	STROKES N/MIN	STROKE VOLUME ml/stroke	CONSUMPTION WATT	PKG	WEIGHT kg	VOLUME m ³
ADA1001201000	M60	A	1	7	100	0.17 0.83	14	1	3	0.016
			5	1 7						
		B	3	1	150	1.5 0.92 1.67				
			9							
		C	5.5	6	180					
			10	1						
ADA1002201000	M60	A	1.8	20	75	0.4 0.89 0.56	16	1	3	0.016
			4							
		B	4	1	120	0.97 0.83 1.3				
			7							
		C	5.8	9	180					
			14	1						

🛒 Installation kit

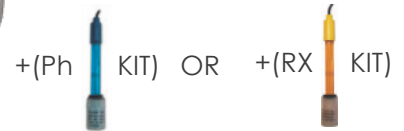
PRODUCT CODE	DESCRIPTION	
ADSP000000000	Installation kit HC151 CST installation kit	

CHEMICAL DOSING EQUIPMENT | 08/02

SOLENOID DRIVEN DOSING PUMPS

HC 151 + PH-RX

For private and public pools. For dosing with acid/alkaline corrector, chlorine or other disinfectants, with the built-in tool for pH or RX Digital.



✓ Technical features

- Digital electromagnetic dosing pump with integrated instrument for pH or Rx control (ORP)
- Setting for constant or proportional dosage
- Reinforced PP housing, suitable for aggressive working environments
- Inputs: level probe, inhibit, proximity sensor
- Relay output for dosage or alarm signal (optional)
- Selectable language and unit of measure
- 132 x 56 pixel graphic display
- Simplified menu access via encoder
- Wall mounting with wall fixing bracket included in the installation kit
- Protection rating: IP65
- Standard power supply: 100-240V AC, 50/60Hz

Functionality:

- Assisted calibration of the measurement probe
- pH or Redox measurement (ORP) selectable by programming
- Selectable dosage mode between acid and alkaline (pH) and direct and reverse (Rx ORP)
- Overdose alarms (OFA)
- Verification of electrode quality
- Programming delay intervention of the level probe
- Choose the desired performance between 3 different models

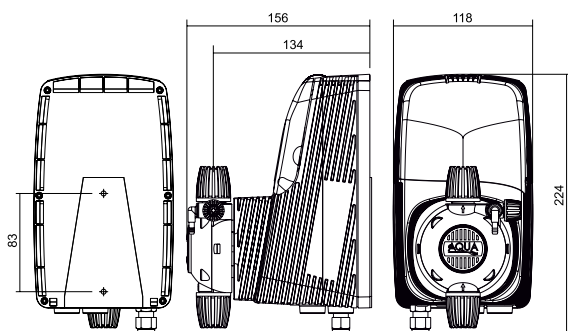
Standards:

- No. 2004/108/CE EMC directive
- No. 2006/95/CE 'DBT low voltage directive'
- No. 2011/65/UE, 2002/96/CE 'RoHS and WEEE directives'

Package dimensions:

- L 192mm x H 160mm x W 250mm

📏 Dimensions



Technical features	Standard version
PUMP BODY	PVDF
PUMP HOUSING	PP
DIAPHRAGM	PTFE
BALLS	CE
BODY VALVES	PVDF
O-RINGS	Viton®
SPRING LOADED INJECTION VALVE	PVDF - Hastelloy - PTFE
FOOT VALVE	PDVF
POWER SUPPLY	110Vac - 60Hz / 240 / Vac -50 Hz

🔒 Installation kit

PRODUCT CODE	DESCRIPTION
KITPDE0100	Installation kit PDE HC151+ PH
KITPDE0101	Installation kit PDE HC151+ RX

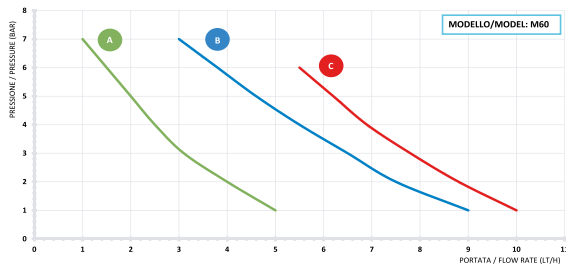


SOLENOID DRIVEN DOSING PUMPS

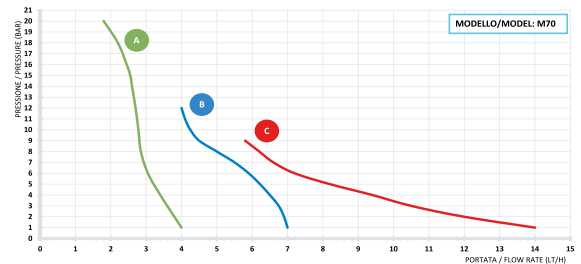
Models

PRODUCT CODE	KIT	SOLENOID	TYPE	FLOW RATE l/h	PRESSURE bar	STROKES N/MIN	STROKE VOLUME ml/stroke	CONSUMPTION WATT	PKG	WEIGHT kg	VOLUME m ³
ADA13013A2001	PH	M60	A	1	7	100	0.17	14	1	3	0.016
				5	1		0.83				
			B	3	7	150	0.5				
				9	1		1.5				
			C	5.5	6	180	0.92				
				10	1		1.67				
ADA13023A2001	PH	M70	A	1.8	20	75	0.4	16	1	3	0.016
				4	1		0.89				
			B	4	12	120	0.56				
				7	1		0.97				
			C	5.8	9	180	0.83				
				14	1		1.3				
ADA13013A2002	RX	M60	A	1	7	100	0.17	14	1	3	0.016
				5	1		0.83				
			B	3	7	150	0.5				
				9	1		1.5				
			C	5.5	6	180	0.92				
				10	1		1.67				
ADA13023A2002	RX	M70	A	1.8	20	75	0.4	16	1	3	0.016
				4	1		0.89				
			B	4	12	120	0.56				
				7	1		0.97				
			C	5.8	9	180	0.83				
				14	1		1.3				

Flow - PRESSURE CURVES



Flow - PRESSURE CURVES



CHEMICAL DOSING EQUIPMENT

CHEMICAL DOSING EQUIPMENT | 08/02

SOLENOID DRIVEN DOSING PUMPS

+ Optional

PRODUCT CODE	DESCRIPTION					
ADSLG4	Low level probe with BNC					

PRODUCT CODE	MODEL	SIZE (ø x h)	VOLUME (l/h)
ADTANK010	PE tank	500 x 680	100 L
ADTANK020	PE tank	620 x 800	200 L
ADTANK030	PE tank	710 X 890	300 L

PRODUCT CODE	MODEL	DN	CONN
ADSP6000111	Threaded T collar for pipes	50	G½"
ADSP6000113	Threaded T collar for pipes	63	G½"

PRODUCT CODE	MODEL	SEALING	HEIGHTS	CONNECTOR	CONNECTIONS	TANKS
ADLASM10B0	Suction lance	GL-VT	115-600	BNC	4X6	60-100 L
ADLASM30B0	Suction lance	GL-VT	115-840	BNC	4X6	200-300 L

PRODUCT CODE	MODEL
ADBAS100	Horizontal mounting brachet



Head Office

AQUA S.p.A
42018 San Martino in Rio, Reggio Emilia
Italy - Via Crotti, 1
P: +39 0522 695805/85 - F: +39 0522 646160
aqua@aqua.it | www.aqua.it

AQUA S.p.A - POOL DIVISION
46043 Castiglione d. Stiviere, Mantova - Italy
P: +39 0376 671973 - F: +39 0376 940139
infpools@aqua.it | www.aqua.it



Branches

AQUA WATER SYSTEMS LTD
Unit 135 Oak Drive Hartlebury Trading Estate,
Worcestershire, DY10 4JB
P: +44 (0)1299 251050, F: +44 (0)1299 253704
sales@askaqua.co.uk | www.askaqua.co.uk

AQUA FILTRACION S.A.
Pol. Ind. Castellbisbal Sud 08755
Castellbisbal, Barcelona
P: +34 (0)93 7711855, F: +34 (0)93 7711772
info@aqua.es | www.aqua.es

AQUA SU ARITIMI SAN. VE MUH. TIC. LTD. STI.
Ferhatpasa Mahallesi Maresal Fevzi Cakmak
Cad. No:45 Pk.34888 Atasehir / Istanbul - Turkey
P: +90 216 661 60 60, F: +90 216 661 68 50
info@aqua.com.tr | www.aqua.com.tr

AQUA MIDDLE EAST FZC
1J-07/4 and 1J-07/3 - Hamriyah Free Zone
P.O.Box 42585 Sharjah - United Arab Emirates
P: +971 6 526 0563, F: +971 6 526 0564
contact@aqua-me.ae
www.aqua-me.ae

AQUA WATER SYSTEMS INDIA PVT LTD
4A/4B/4C-,Puttappa Industrial Estate
Mahadevapura Post, White Field Road,
Bangalore 560 048
P: 0091 80 4152 1313, F: 0091 80 4152 1414
contact@aquaindia.in | sales@aquaindia.in
www.aquaindia.in

AQUA GROUP RUS
Juridical Address:
107014, Egerskaya str, 1, Moscow, Russia
Residence Address:
127081, Chermianskaya str, 3, Moscow, Russia
P: +7 495 6458078, F: +7 495 969 2413
mail@aqua-italy.ru | www.aqua-italy.ru
www.aqua.it

AQUA GROUP LLC
Office : Regus – Sarayat EL Maadi, Egypt
Management & Warehouse : Plot no 2-2nd service
axe, 2nd Industrial Zone, October, Egypt
P: +20 2 3820 2259 | info@aqua.eg