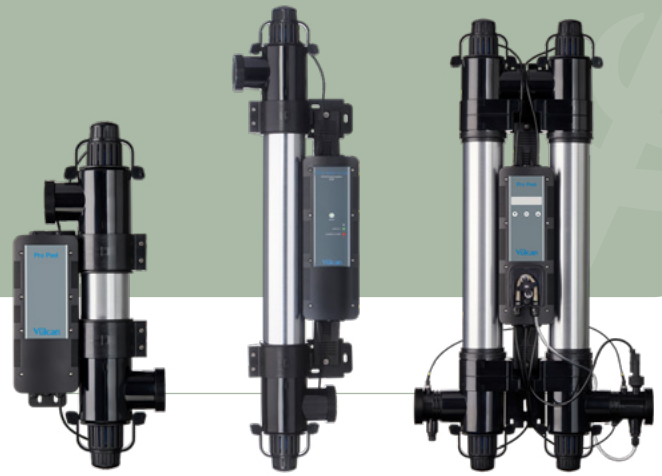


DISINFECTION 09/04

PRO POOL UV

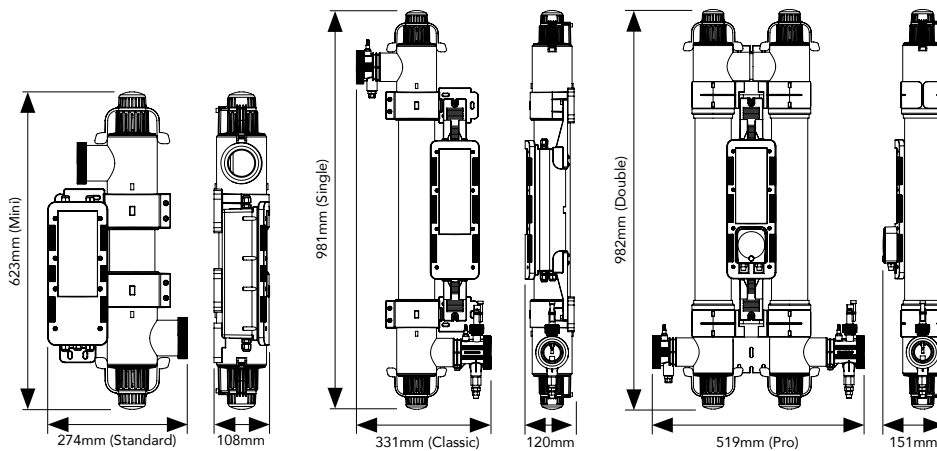
The super reflective properties of the VULCAN ProPool UV, optimises UV-C radiation and dramatically increases performance.



✓ Technical features

- Highest UV reflective index on the market equating to supreme efficiency
- Titanium reaction chamber is extremely repellent, maintaining UV reflectivity
- No harmful gases or by-products produced
- Neutralises bacteria, viruses, algae and fungi that traditional chemicals cannot
- Optional smart peristaltic dosing system for chlorine/hydrogen peroxide
- Powerful sterilisation and eliminates the smell of chlorine
- Average lamp life expectancy: 2 years
- Equipped with intelligent lamp life indicator
- Salt and sea water compatible

📏 Dimensions



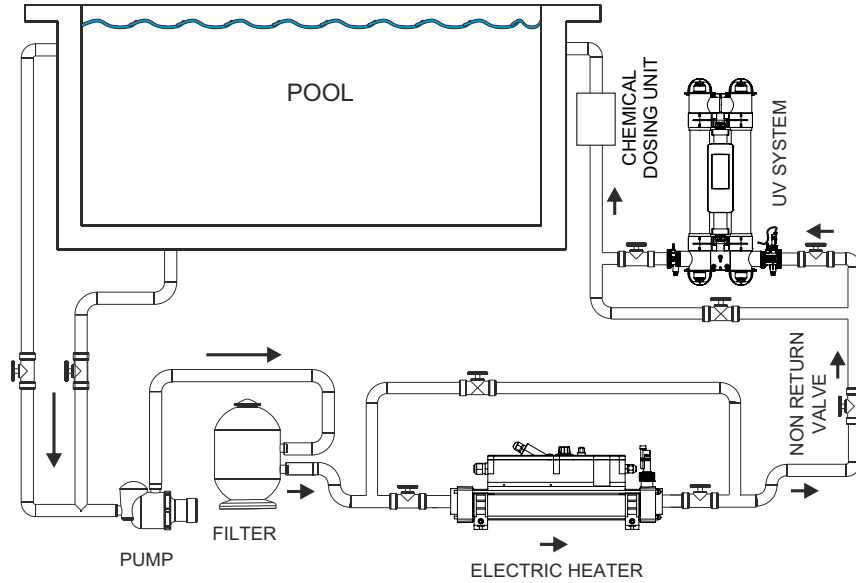
🔍 Models

MODEL	MAX. POOL VOLUME m ³	FEATURES	PKG	NET WEIGHT kg	GROSS WEIGHT kg	GROSS VOLUME m ³
V-PP1-30	30	Basic version	1	5.9	7.8	0.08
V-PP1-55	55	Basic version	1	6.4	9	0.11
V-PP1-110	110	Basic version	1	10.2	13.7	0.15
V-PP2-30-UK	30	Analogue lamp life indicator & reset switch	1	6.1	8	0.08
V-PP2-55-UK	55	Analogue lamp life indicator & reset switch	1	6.6	9.2	0.11
V-PP2-110-UK	110	Analogue lamp life indicator & reset switch	1	10.4	13.9	0.15
V-PP3-30-UK	30	Digital lamp life countdown with intelligent dosing pump	1	6.4	8.3	0.08
V-PP3-55-UK	55	Digital lamp life countdown with intelligent dosing pump	1	6.9	9.6	0.11
V-PP3-110-UK	110	Digital lamp life countdown with intelligent dosing pump	1	10.9	14.3	0.15

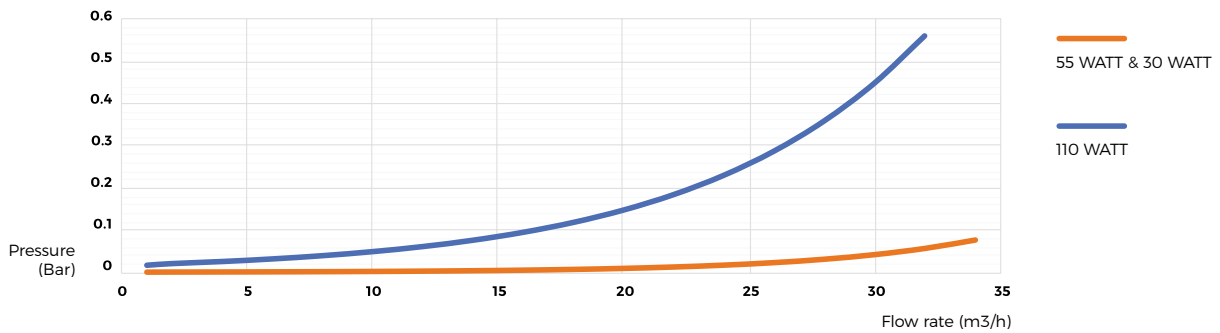
* Without flow switch, lamp life indicator & reset switch

DISINFECTION

System setup



Pressure drop



Specifications

TYPE	DESCRIPTION
POWER SUPPLY	Single phase 100V ~ 240V
MIN. FLOW RATE	4 m³/h
MAX. FLOW RATE	Mini Tube: 12,000 litres per hour; 12m³/h Single Tube: 16,000 litres per hour; 16 m³/h Double Tube: 32,000 litres per hour; 32 m³/h
MAX. POOL SIZE	Mini Tube: 30,000 liters; 30m³ Single Tube: 55,000 litres; 55m³ Double Tube: 110,000 litres; 110m³
MAX. POWER CONSUMPTION	Mini Tube: 40W Single Tube: 64W Double Tube: 128W
LAMP	Low pressure / high output
LAMP LIFE	9,000 hours
DOSING RATE	Exceeds the equivalent of 30mj/cm² at max. flow rate
INTERNATIONAL PROTECTION MARKING	IP64
FREQUENCY	50/60 Hz
WORKING PRESSURE	3 Bar maximum
WATER CONNECTIONS	2" / 63mm stepped ABS unions + reducers 1½" / 50mm
SALT WATER	100% sea water safe
MOUNTING	Floor or wall mounting
OXIDISATION PROCESSES	UV



Your global partner since 1974. Trusted for superior quality and exceptional innovations.



Head Office

AQUA S.p.A

42018 San Martino in Rio, Reggio Emilia
Italy - Via Crotti, 1
P: +39 0522 695805/85 - F: +39 0522 646160
aqua@aqua.it | www.aqua.it

AQUA S.p.A - POOL DIVISION

46043 Castiglione d. Stiviere, Mantova - Italy
P: +39 0376 671973 - F: +39 0376 940139
infpools@aqua.it | www.aqua.it



Branches

AQUA WATER SYSTEMS LTD

Unit 135 Oak Drive Hartlebury Trading Estate,
Worcestershire, DY10 4JB
P: +44 (0)1299 251050, F: +44 (0)1299 253704
sales@askaqua.co.uk | www.askaqua.co.uk

AQUA FILTRACION S.A.

Pol. Ind. Castellbisbal Sud 08755
Castellbisbal, Barcelona
P: +34 (0)93 7711855, F: +34 (0)93 7711772
info@aqua.es | www.aqua.es

AQUA SU ARITIMI SAN. VE MUH. TIC. LTD. STI.

Ferhatpasa Mahallesi Maresal Fevzi Cakmak
Cad. No:45 Pk.34888 Atasehir / Istanbul - Turkey
P: +90 216 661 60 60, F: +90 216 661 68 50
info@aqua.com.tr | www.aqua.com.tr

AQUA MIDDLE EAST FZC

1J-07/4 and 1J-07/3 - Hamriyah Free Zone
P.O.Box 42585 Sharjah - United Arab Emirates
P: +971 6 526 0563, F: +971 6 526 0564
contact@aqua-me.ae
www.aqua-me.ae

AQUA WATER SYSTEMS INDIA PVT LTD

4A/4B/4C-,Puttappa Industrial Estate
Mahadevapura Post, White Field Road,
Bangalore 560 048
P: 0091 80 4152 1313, F: 0091 80 4152 1414
contact@aquaindia.in | sales@aquaindia.in
www.aquaindia.in

AQUA GROUP RUS

Juridical Address:
107014, Egerskaya str, 1, Moscow, Russia
Residence Address:
127081, Chermianskaya str, 3, Moscow, Russia
P: +7 495 6458078, F: +7 495 969 2413
mail@aqua-italy.ru | www.aqua-italy.ru
www.aqua.it

AQUA GROUP LLC

Office : Regus – Sarayat EL Maadi, Egypt
Management & Warehouse : Plot no 2-2nd service
axe, 2nd Industrial Zone, October, Egypt
P: +20 2 3820 2259 | info@aqua.eg

DISINFECTION