

## AQUA SALT CHLORINATOR

### ✓ Technical features

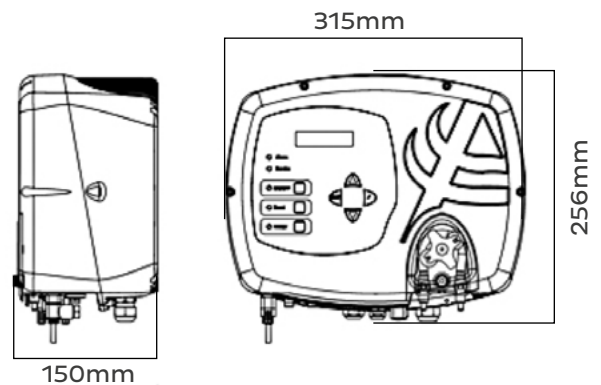
For public and private pools

The Aqua Salt control unit is available in 4 models:

1. **STANDARD:** Internal/external timer controlled
  2. **PH:** Standard model with additional control and dosing of acid/alkaline PH corrector via peristaltic pump
  3. **PH-RX:** PH model with additional RX reading for modulation of cell chlorine generation
  4. **PH-CLJ:** PH model with additional Cl reading (PPM) for modulation of cell chlorine generation. Also mounted on a thermoformed panel
- Compatible with all sizes of ADCEL electrolytic cells
  - IP65 protection
  - Max working temperature: 40°C
  - Max chlorine production: 40g/h\*\*
  - Swimming pool dimension (Max): 200m<sup>3</sup>\*
  - Double safety features for water flow
  - Choice of languages
  - Pump feed for restoring salt concentration
  - Cell cleaning through polarity inversion
  - Control of real use and maintenance alarms
  - Alarm for salt level calculation (approximation)
  - Additional timer for circulating pump
  - Software for Windows-based management - Free for all models (RS232 port standard for all models)
  - Power supply: 180-260V
  - Max power consumption: 300W 50/60Hz
  - Cell power supply: 24V DC 10A
  - Bluetooth module for connection with APP for Android and Windows phone - Available upon request
  - MASTER/SLAVE version for parallel multiple connection for swimming pool bigger for 200m - Available upon request
  - Package dimensions: L 405mm x H 200mm x W 311mm



### 📏 Dimensions






### 🔍 Models

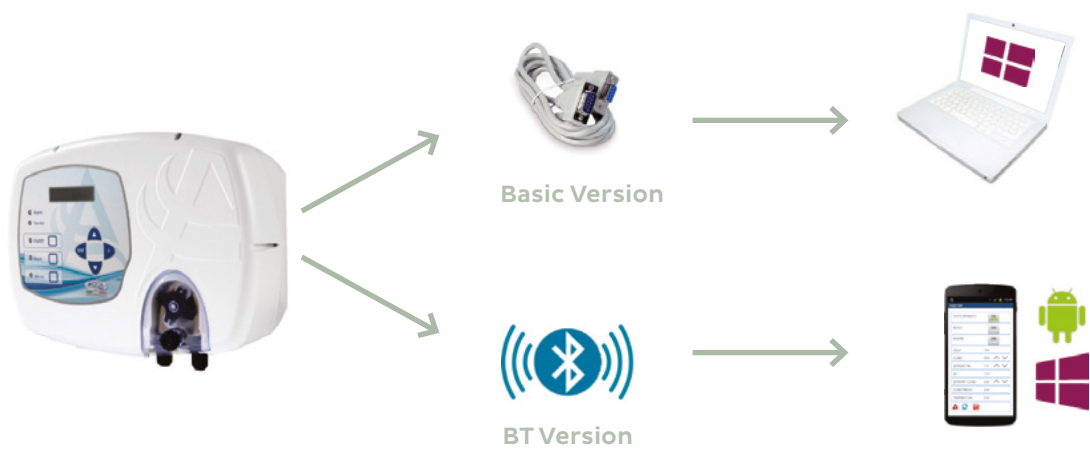
PRODUCT CODE	MODEL	SUITABLE FOR ADCEL	PERISTALTIC PH PUMP ACID/ALKALINE	PACKING	WEIGHT kg	VOLUME m <sup>3</sup>
ADSAL110	AQUA SALT STANDARD	50-100-150-200	-	1	3.4	0.025
ADSAL210	AQUA SALT PH	50-100-150-200	1.4 lt/h - 1 BAR	1	3.4	0.025
ADSAL310	AQUA SALT PH-RX	50-100-150-200	1.4 lt/h - 1 BAR	1	3.4	0.025
ADSAL410	AQUA SALT PH-CLJ	50-100-150-200	1.4 lt/h - 1 BAR	1	3.4	0.025

\* The installer is in charge for the correct sizing of Chlorine capability that has to respect the country legislation. For intense use check Master-Slave option.

\*\* If the production of 40g/h is not enough for your application you can evaluate the NEW Master/Slave configuration.

## Items included in the box

Standard		 ADSP6020156					
PH		 ADSP6020156	 ADELTPH05	 ADSPH05/7	 ADPSTC	 ADSP6000001	 ADSP6000551
		 ADSP6020156	 ADELTPH05	 ADSPH05/7	 ADPSTC	 ADSP6000001	 ADSP6000551
PH-RX	 ADELTRX05G	 ADSRX	 ADSP6000111	 ADSPH05/7			
		 ADFV3	 ADELTPH05	 ADSPH05/7	 ADSP6000049	 ADSP6000001	 ADSP6000551
PH-CLJ	 ADELCLJ25S	 ADSP6000440	 ADSP5005002 ADSP5004002				



WITH THE AQUA SALT BLUETOOTH APP ON YOUR MOBILE, YOU HAVE ALL THE CONTROL YOU NEED AT ANY TIME OF THE DAY, INCLUDING:

- Turning the device on and off
- Activating and deactivating 'Boost Mode'
- Activating and deactivating 'Winter Mode'
- Increasing and decreasing the percentage of chlorine in the pool
- Checking the values of pH and Redox
- Checking and setting alarms
- Setting specific points of measure

DISINFECTION 09/01

# AQUA SALT

## STABILIZED SALT

Stabilized salt for electrolysis cells. It is often said that common salt or softeners work just as well as stabilized salt, but this is not true. Adding stabilizer, retains the chlorine level in the salt water pool and prevents it from breaking down under direct UV light, thus guaranteeing water disinfection.



### ✓ Description

- Sodium Chloride (NaCl)
- Isocyanuric Acid
- Magnesium

### Q Models

PRODUCT CODE	DESCRIPTION	PACKING	WEIGHT kg	VOLUME m <sup>3</sup>
700100085	Fine-grained stabilized salt -bags kg.25	1	18	0.25

## ADCEL ELECTROLYTIC CELL

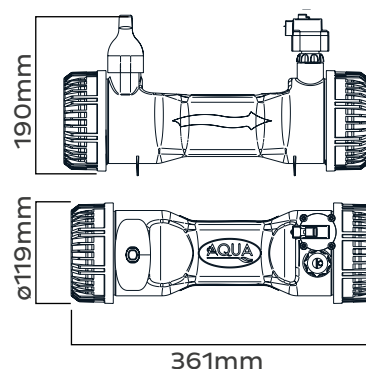
The disinfectant 'chlorine', is produced in the electrolytic cell, thanks to a chemical reaction that produces sodium hypochlorite, an aqueous solution of sodium chloride. The cell utilises a flow sensor, titanium plates and a PT100 probe to measure the temperature. The correspondence between the swimming pool and the cell model is indicative. Please refer to Chlorine production data.



### ✓ Technical features

- Titanium plates
- Connection pins made in AISI-316 stainless steel
- Built-in flow sensor
- PT100 temperature probe
- Max. operating pressure: 2.5 bar
- Max. chlorine production: 40 g/h\*\*
- Hydraulic connections of the cell: Ø 50mm or Ø 63mm
- Max. water hardness: 30°F\*
- Replaceable cell with a transparent body
- Cell power supply: 24V DC
- Max. absorbed power: 240W

### Q Dimensions

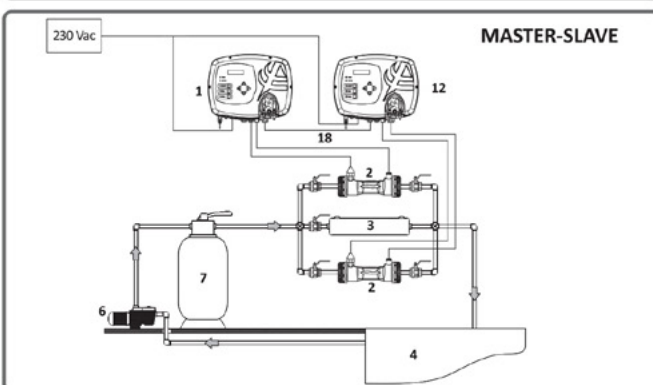
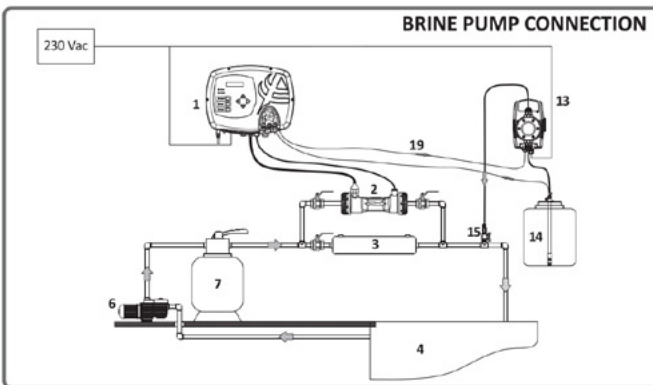
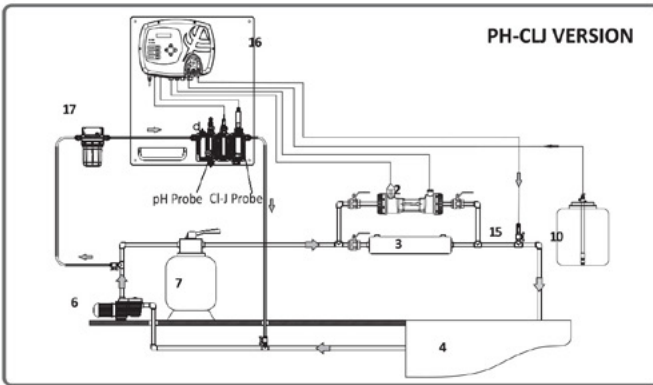
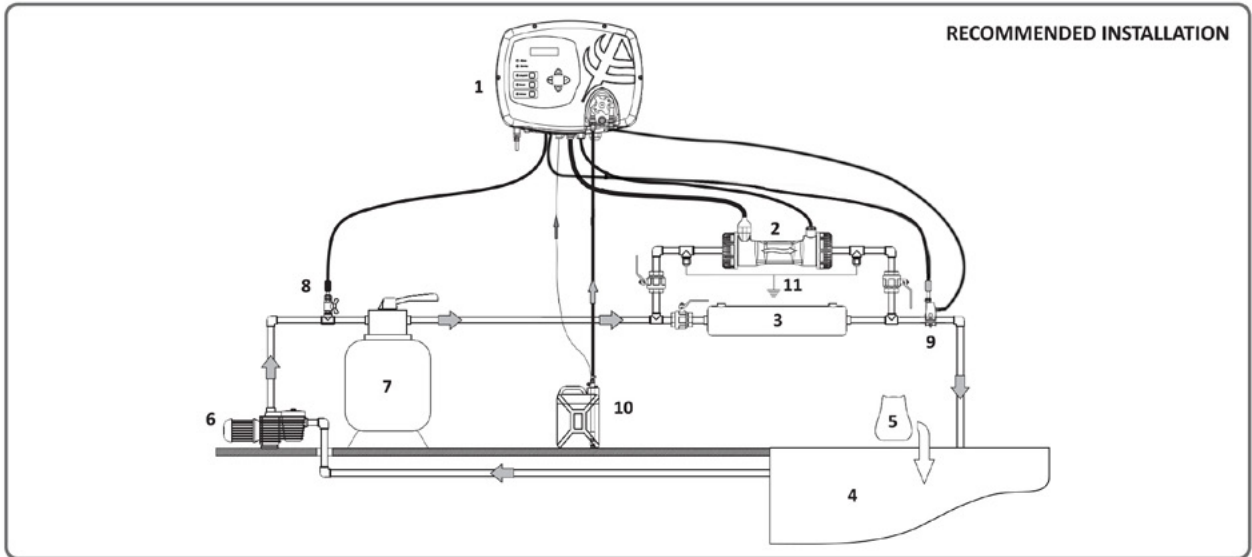


### Q Models

PRODUCT CODE	MODEL	MAX. POOL DIMENSION m <sup>3</sup>	CHLORINE PRODUCTION g/h	RECOMMENDED SALT LEVEL g/lit	MAX. SALT LEVEL g/lit	PACKING	WEIGHT kg	VOLUME m <sup>3</sup>
ADCEL050	50	Up to 50*	Up to 10	3.5 - 4.5	8	1	1.9	0.008
ADCEL100	100	Up to 100*	Up to 20	3.5 - 4.5	8	1	1.9	0.008
ADCEL150	150	Up to 150*	Up to 30	3.5 - 4.5	8	1	1.9	0.008
ADCEL200	200	Up to 200*	Up to 40	3.5 - 4.5	8	1	1.9	0.008

700800121N Ground connection kit (2 electrodes) recommended to be installed with each system

\* The installer is responsible for the correct dosing of chlorine levels and has to respect the country's legislation. For pools that require higher levels, use the Master-Slave option. \*\* For pools that require more than 40g/h, check out the NEW Master/Slave configuration.



1. Aqua Salt control unit (Master in Master/Slave system)
2. Electrolytic cell
3. Heater
4. Swimming pool
5. Salt
6. Recirculating pump
7. Sand filter
8. Collar with Rx probe
9. Collar 2 in 1 with pH probe and injection of pH corrector pH
10. pH corrector
11. Grounding kit connection
12. Aqua Salt Slave
13. HC899 pump for brine dosage
14. Brine tank with lance and level sensor
15. Collar with injection junction
16. Aqua Salt pH-CLJ panel with probe and probe holder
17. Prefilter for pH-CLJ panel
18. Connecting cable for Master-Slave
19. Connecting cable for brine pump

**NEW CONFIGURATION MASTER / SLAVE**

Thanks to the new MASTER / SLAVE version (available on request), you can now connect in parallel any desired number of AQUA SALT systems. In this way the chlorine generation capacity is not limited to 40g per hour but can reach any required value. When connecting MASTER / SLAVE, the main system (MASTER) powers on the N secondary systems (SLAVE). The Master System can be either Standard / PH / PH - RX / PH - CLJ. The SLAVE system is always a Standard type.

To order your MASTER / SLAVE system please contact the sales offices of AQUA SPA.





Your global partner since 1974. Trusted for superior quality and exceptional innovations.



## Head Office

### AQUA S.p.A

42018 San Martino in Rio, Reggio Emilia  
Italy - Via Crotti, 1  
P: +39 0522 695805/85 - F: +39 0522 646160  
aqua@aqua.it | www.aqua.it

### AQUA S.p.A - POOL DIVISION

46043 Castiglione d. Stiviere, Mantova - Italy  
P: +39 0376 671973 - F: +39 0376 940139  
infpools@aqua.it | www.aqua.it



## Branches

### AQUA WATER SYSTEMS LTD

Unit 135 Oak Drive Hartlebury Trading Estate,  
Worcestershire, DY10 4JB  
P: +44 (0)1299 251050, F: +44 (0)1299 253704  
sales@askaqua.co.uk | www.askaqua.co.uk

### AQUA FILTRACION S.A.

Pol. Ind. Castellbisbal Sud 08755  
Castellbisbal, Barcelona  
P: +34 (0)93 7711855, F: +34 (0)93 7711772  
info@aqua.es | www.aqua.es

### AQUA SU ARITIMI SAN. VE MUH. TIC. LTD. STI.

Ferhatpasa Mahallesi Maresal Fevzi Cakmak  
Cad. No:45 Pk.34888 Atasehir / Istanbul - Turkey  
P: +90 216 661 60 60, F: +90 216 661 68 50  
info@aqua.com.tr | www.aqua.com.tr

### AQUA MIDDLE EAST FZC

1J-07/4 and 1J-07/3 - Hamriyah Free Zone  
P.O.Box 42585 Sharjah - United Arab Emirates  
P: +971 6 526 0563, F: +971 6 526 0564  
contact@aqua-me.ae  
www.aqua-me.ae

### AQUA WATER SYSTEMS INDIA PVT LTD

4A/4B/4C-,Puttappa Industrial Estate  
Mahadevapura Post, White Field Road,  
Bangalore 560 048  
P: 0091 80 4152 1313, F: 0091 80 4152 1414  
contact@aquaindia.in | sales@aquaindia.in  
www.aquaindia.in

### AQUA GROUP RUS

Juridical Address:  
107014, Egerskaya str, 1, Moscow, Russia  
Residence Address:  
127081, Chermianskaya str, 3, Moscow, Russia  
P: +7 495 6458078, F: +7 495 969 2413  
mail@aqua-italy.ru | www.aqua-italy.ru  
www.aqua.it

### AQUA GROUP LLC

Office : Regus – Sarayat EL Maadi, Egypt  
Management & Warehouse : Plot no 2-2nd service  
axe, 2nd Industrial Zone, October, Egypt  
P: +20 2 3820 2259 | info@aqua.eg

DISINFECTION