

POOL CIRCULATION 03/01

SKIMMERS



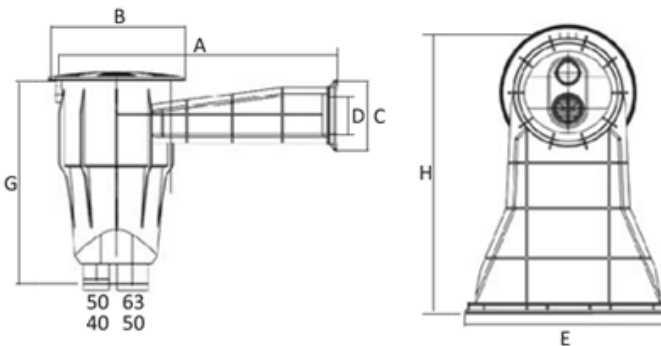
AQUA LUX ABS OVERFLOW STRAIGHT SKIMMER

An ABS overflow skimmer suitable for commercial and residential pools (panel or concrete with PVC lining) and designed to increase water surface levels by up to 3cm.

✓ Technical features

- Wide mouth skimmer to increase flow rate
- Robust one-piece ABS moulded body
- ABS skimmer frame and cover with anti-removal system
- ABS floating weir for overflow skimmer
- Polypropylene skimmer basket
- Thread for pressure testing, socket insert, screw in 5.5
- 316 stainless steel screw kit for mod. Liner, in additional elegant flange cover
- Connections: Ø 50mm and Ø 63mm with a shutter flap overflow system (Ø 32mm Male and Ø 25mm Female)
- Maximum flow rate: 9.82m³/h (Ø 50mm) and 15.61m³/h (Ø 63mm)
- Standard: UNI 13451 or In accordance with legislation UNI 13451
- UV resistance

📏 Dimensions



🔍 Models

POOL	PRODUCT CODE	DIMENSIONS							PACKING	WEIGHT kg	VOLUME m ³
		A	B	C	D	E	G	H			
Concrete	200200004	560	270	140	76	424	405	565	2	5	0.12
Liner	200200003	560	270	140	76	424	405	565	2	5	0.12

NOTE: Codes listed above are for white products. For other colours, add the following letters to the end of the code: Sand +SA, Silver +SL, Grey +GR, Black +BK.



WHITE



SAND (+SA)



SILVER (+SL)



GREY (+GR)



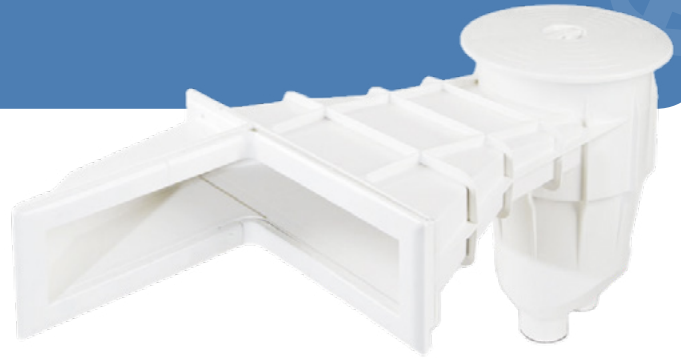
BLACK (+BK)

POOL CIRCULATION 03/01

SKIMMERS

AQUA LUX ABS OVERFLOW CORNER SKIMMER

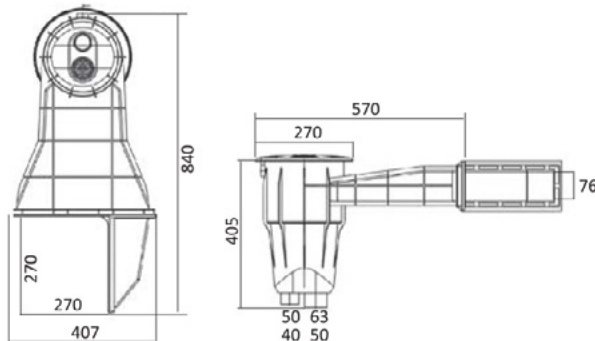
An ABS overflow corner skimmer suitable for commercial and residential pools (panel or concrete with PVC lining) and designed to trap floating debris before it enters the pump and filtration system.



✓ Technical features

- ABS skimmer frame and cover with anti-removal system
- ABS floating weir for overflow skimmer
- Polypropylene skimmer basket
- Skimmer flange
- Thread for pressure testing, socket insert, screw in 5.5
- 316 stainless steel screw kit for mod. Liner, in additional elegant flange cover
- Can be installed in prefabricated pools without sandwich gasket
- Connections: Ø 50mm and Ø 63mm with shutter flap overflow system (Ø 32mm Male x 25mm Female)
- Maximum flow rate: 9.82m³/h (Ø 50 mm) and 15.61m³/h (Ø 63mm)
- In accordance with legislation UNI 13451
- UV resistance

📏 Dimensions



🔍 Models

POOL	PRODUCT CODE	DESCRIPTION	PACKING	WEIGHT kg	VOLUME m ³
Concrete	20020002	Corner skimmer (right handed)	1	10	0.17
	20200045	Corner skimmer (left handed)	1	10	0.17
Liner	200200001	Corner skimmer (right handed)	1	10	0.17
	200200044	Corner skimmer (left handed)	1	10	0.17

NOTE: Codes listed above are for white products. For other colours, add the following letters to the end of the code: Sand +SA, Silver +SL, Grey +GR, Black +BK.



SAND
RAL1015



SILVER
RAL7040



GREY
RAL7043



BLACK
RAL9004

POOL CIRCULATION 03/01 SKIMMERS



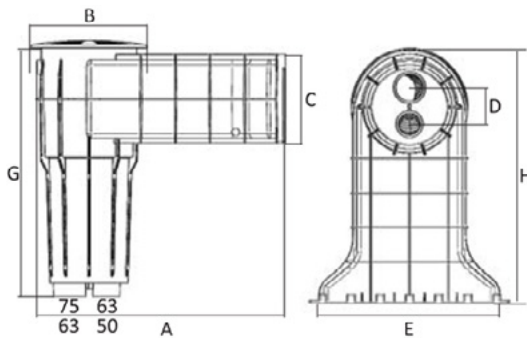
AQUA LUX ABS CLASSIC SKIMMER

A classic skimmer suitable for commercial and residential pools (panel or concrete with PVC lining) with a capacity of 22 litres.

✓ Technical features

- Wide mouth skimmer to increase flow rate
- Robust one-piece ABS moulded body
- ABS skimmer frame and hinged cover with anti-removal system
- ABS floating weir for overflow skimmer
- Polypropylene skimmer basket
- Skimmer flange
- Thread for pressure testing, socket insert, screw in 5.5
- 316 stainless steel screw kit
- Connections: Ø 50mm, Ø 63mm and Ø75mm with shutter flap overflow system Ø 50mm
- Can be installed in a prefabricated pools without sandwich gasket
- Flow rate: 9.82m³/h (Ø 50mm), 15.61m³/h (Ø 63mm) and 22.08m³/h (Ø 75mm)
- In accordance with legislation UNI 13451
- UV resistance

📏 Dimensions



🔍 Models

POOL	PRODUCT CODE	DIMENSIONS							PACKING	WEIGHT kg	VOLUME m ³
		A	B	C	D	E	G	H			
Concrete	2002C0004	575	270	206	85	421	573	590	2	14	0.3
Liner	2002C0003	575	270	206	85	421	573	590	2	14	0.3

NOTE: Codes listed above are for white products. For other colours, add the following letters to the end of the code: Sand +SA, Silver +SL, Grey +GR, Black +BK.



SAND
RAL1015



SILVER
RAL7040



GREY
RAL7043



BLACK
RAL9004

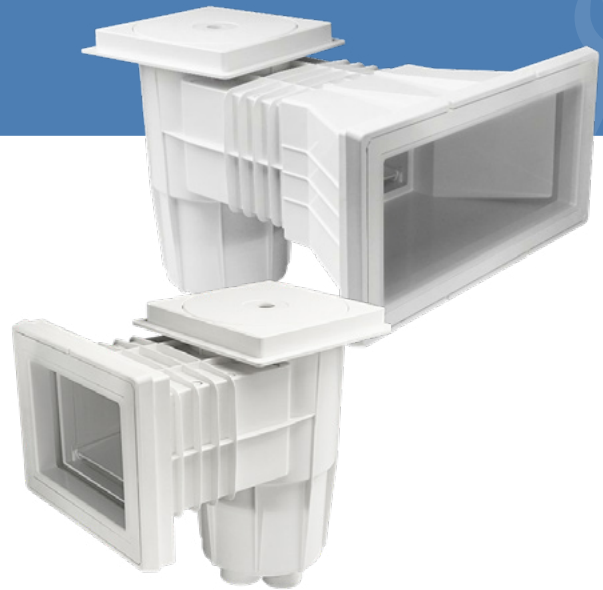
POOL CIRCULATION 03/01 SKIMMERS

ABS WALL SKIMMER REGULAR & WIDE MOUTH

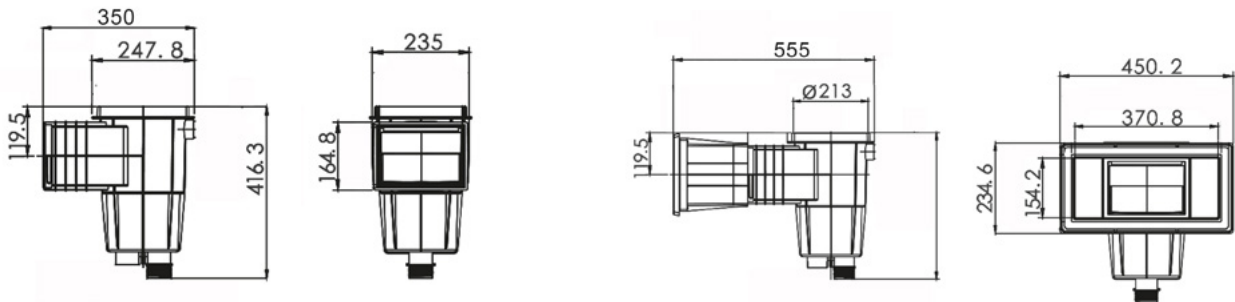
15 litre, wide mouth wall skimmer for concrete and liner pools

✓ Technical features

- UV resistant ABS material
- Maximum strength and durability for all weather conditions
- The high flexibility design allows 1.5" or 2" suction connections to the piping
- Suitable for residential and commercial swimming pools
- UV resistance



📏 Dimensions

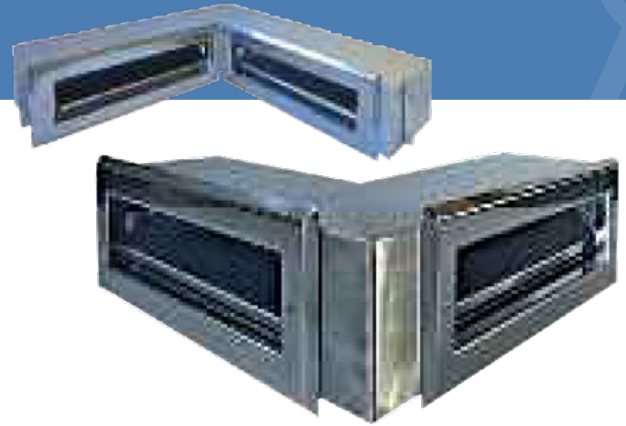


🔍 Models

POOL	PRODUCT CODE	DESCRIPTION	CONNECTIONS	FLOW RATE m ³ /h	PACKING	WEIGHT kg	VOLUME m ³
Concrete	F-111	REGULAR MOUTH	1.5" / 2" thread	9-12	1	3.4	0.055
	F-112	WIDE MOUTH	1.5" / 2" thread	9-12	1	4.7	0.055
Liner	F-113	REGULAR MOUTH	1.5" / 2" thread	9-12	1	5.4	0.112
	F-114	WIDE MOUTH	1.5" / 2" thread	9-12	1	5.8	0.112

POOL CIRCULATION 03/01

SKIMMERS

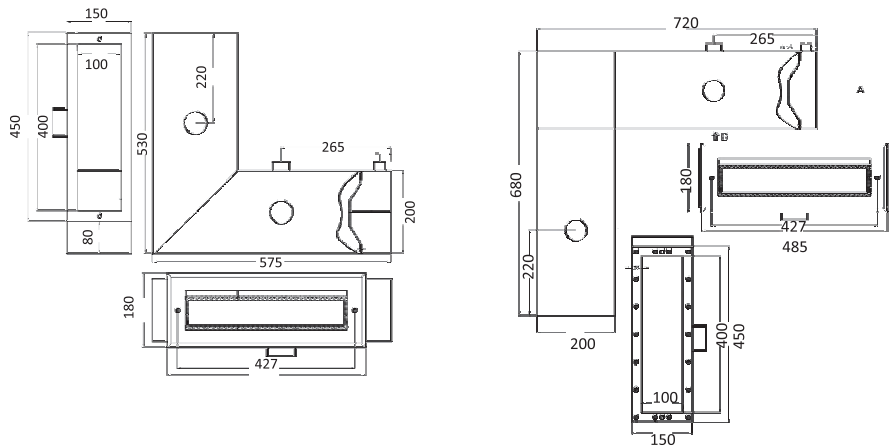


STAINLESS STEEL CORNER SKIMMERS

✓ Technical features

- Made in AISI-316L stainless steel
- Includes electrical sensor for automatic filling

📏 Dimensions



🔍 Models

POOL	PRODUCT CODE	DESCRIPTION	FLOW RATE m ³ /h	PACKING	WEIGHT kg	VOLUME m ³
Concrete	19126	Inner corner, 720 x 680 mm	8	1	24	0.072
	19128	Outer corner, 530 x 575 mm	12	1	24	0.072
Liner	19127	Inner corner, 720 x 680 mm	8	1	25	0.072
	19129	Outer corner, 530 x 575 mm	12	1	25	0.072
-	19131	Control panel for automatic filling	-	1	3	0.077

POOL CIRCULATION 03/01 SKIMMERS

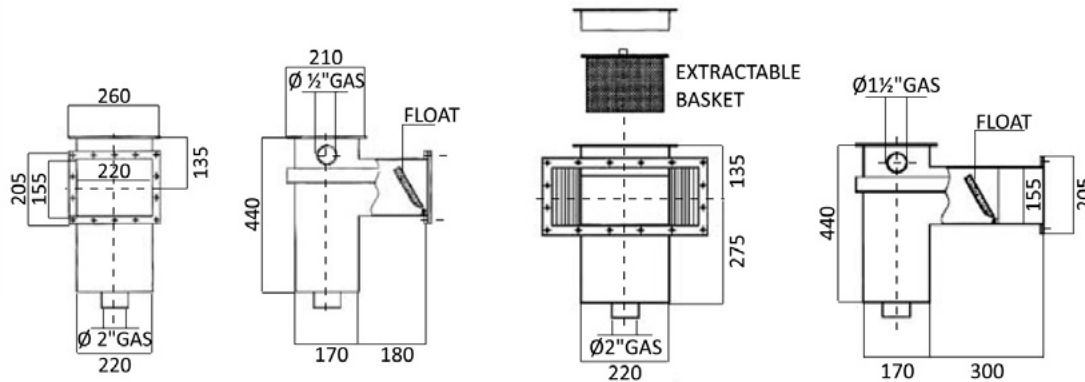


STANDARD STAINLESS STEEL SKIMMERS

✓ Technical features

- Made in AISI-316L stainless steel
- Includes electronic sensor for automatic filling

📏 Dimensions



🔍 Models

POOL	PRODUCT CODE	MOUTH				FLOW RATE m ³ /h	PACKING	WEIGHT kg	VOLUME m ³
Concrete	19101R	●				8	1	12	0.075
	19103R			●		12	1	15	0.075
	19101	●				8	1	13	0.075
	19103			●		12	1	16	0.075
Liner	19102R		●			8	1	13	0.075
	19104R				●	12	1	16	0.075
	19102		●			8	1	13	0.075
	19104				●	12	1	16	0.075
	19131	Control panel for automatic filling							

POOL CIRCULATION

POOL CIRCULATION 03/01

SKIMMERS

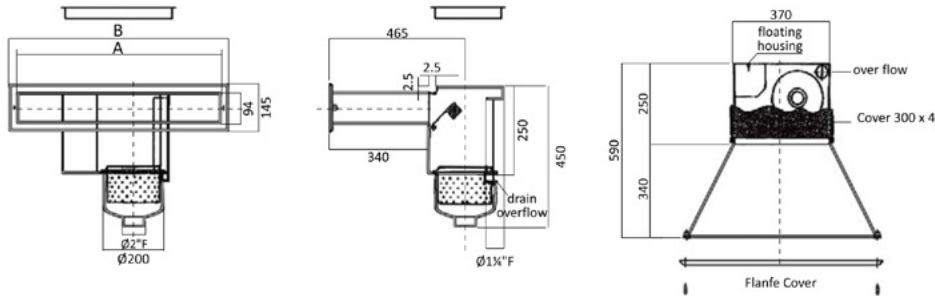
STAINLESS STEEL SKIMMER FOR LEVEL CHANNEL

✓ Technical features

- Made in AISI-316L stainless steel
- For level channel with mouth 600mm or 700mm
- Includes electrical sensor for automatic filling



📏 Dimensions



🔍 Models

POOL	PRODUCT CODE	FLOW RATE m ³ /h	DESCRIPTION	DIMENSIONS		PACKING	WEIGHT kg	VOLUME m ³
				A	B			
Concrete	19110	10	mouth 600 mm	600	650	1	20	0.24
	19002	10	mouth 600 mm automatic filling	600	650	1	20	0.24
	19114	12	mouth 700 mm automatic filling	700	750	1	23	0.24
	19112	12	mouth 700 mm	700	750	1	23	0.24
Liner	19111	10	mouth 600 mm	600	650	1	21	0.24
	19003	10	mouth 600 mm automatic filling	600	650	1	21	0.24
	19115	12	mouth 700 mm automatic filling	700	750	1	26	0.24
	19113	12	mouth 700 mm	700	750	1	25	0.24
	19131		Control panel for automatic filling					

POOL CIRCULATION 03/01

SKIMMERS

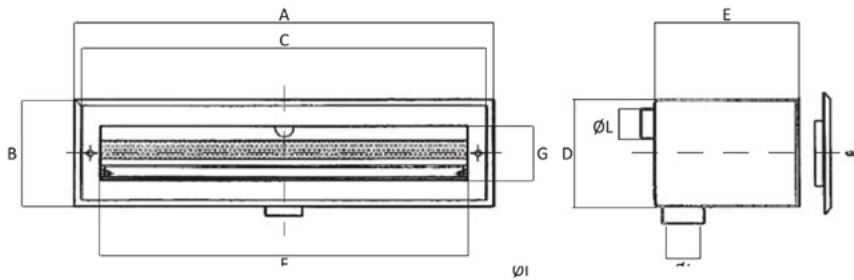
STAINLESS STEEL SKIMMERS WITH REMOVABLE BASKET

✓ Technical features

- Made in AISI-316L stainless steel
- Horizontal skimmer for level channel
- Front removable basket
- Includes electrical sensor for automatic filling



📏 Dimensions



🔍 Models

POOL	PRODUCT CODE	FLOW RATE m³/h	DIMENSIONS									PACKING	WEIGHT kg	VOLUME m³	
			A	B	C	D	E	F	G	ØI	ØL				
Concrete	19120	8	275	170	250	148	205	391	76	2" F	1" F	1	8	0.030	
	19122	10	475	170	450	148	205	391	76	2" F	1" F	1	11	0.036	
	19124	12	675	170	650	148	205	391	76	2" F	1" F	1	15	0.084	
	19120R	8	275	170	250	148	205	391	76	2" F	1" F	1	8	0.030	
	19122R	10	475	170	450	148	205	400	76	2" F	1" F	1	11	0.036	
	19124R	12	675	170	650	148	205	600	76	2" F	1" F	1	15	0.084	
Liner	19121	8	275	170	250	148	205	391	76	2" F	1" F	1	9	0.030	
	19123	10	475	170	450	148	205	391	76	2" F	1" F	1	12	0.036	
	19125	12	675	170	650	148	205	391	76	2" F	1" F	1	16	0.084	
	19121R	8	275	170	250	148	205	391	76	2" F	1" F	1	9	0.030	
	19123R	10	475	170	450	148	205	400	76	2" F	1" F	1	12	0.036	
	19125R	12	675	170	650	148	205	600	76	2" F	1" F	1	16	0.084	
	19131	Control panel for automatic filling													

POOL CIRCULATION



Your global partner since 1974. Trusted for superior quality and exceptional innovations.



Head Office

AQUA S.p.A

42018 San Martino in Rio, Reggio Emilia
Italy - Via Crotti, 1
P: +39 0522 695805/85 - F: +39 0522 646160
aqua@aqua.it | www.aqua.it

AQUA S.p.A - POOL DIVISION

46043 Castiglione d. Stiviere, Mantova - Italy
P: +39 0376 671973 - F: +39 0376 940139
infopools@aqua.it | www.aqua.it



Branches

AQUA WATER SYSTEMS LTD

Unit 135 Oak Drive Hartlebury Trading Estate,
Worcestershire, DY10 4JB
P: +44 (0)1299 251050, F: +44 (0)1299 253704
sales@askaqua.co.uk | www.askaqua.co.uk

AQUA FILTRACION S.A.

Pol. Ind. Castellbisbal Sud 08755
Castellbisbal, Barcelona
P: +34 (0)93 7711855, F: +34 (0)93 7711772
info@aqua.es | www.aqua.es

AQUA SU ARITIMI SAN. VE MUH. TIC. LTD. STI.

Ferhatpasa Mahallesi Maresal Fevzi Cakmak
Cad. No:45 Pk.34888 Atasehir / Istanbul - Turkey
P: +90 216 661 60 60, F: +90 216 661 68 50
info@aqua.com.tr | www.aqua.com.tr

AQUA MIDDLE EAST FZC

1J-07/4 and 1J-07/3 - Hamriyah Free Zone
P.O.Box 42585 Sharjah - United Arab Emirates
P: +971 6 526 0563, F: +971 6 526 0564
contact@aqua-me.ae
www.aqua-me.ae

AQUA WATER SYSTEMS INDIA PVT LTD

4A/4B/4C-,Puttappa Industrial Estate
Mahadevapura Post, White Field Road,
Bangalore 560 048
P: 0091 80 4152 1313, F: 0091 80 4152 1414
contact@aquaindia.in | sales@aquaindia.in
www.aquaindia.in

AQUA GROUP RUS

Juridical Address:
107014, Egerskaya str, 1, Moscow, Russia
Residence Address:
127081, Chermianskaya str, 3, Moscow, Russia
P: +7 495 6458078, F: +7 495 969 2413
mail@aqua-italy.ru | www.aqua-italy.ru
www.aqua.it

AQUA GROUP LLC

Office : Regus – Sarayat EL Maadi, Egypt
Management & Warehouse : Plot no 2-2nd service
axe, 2nd Industrial Zone, October, Egypt
P: +20 2 3820 2259 | info@aqua.eg

POOL CIRCULATION