

PUMPS & COUNTER CURRENT 02/15

SUBMERSIBLE PUMP WITH INTERNAL FLOAT 'VERTY NOVA'

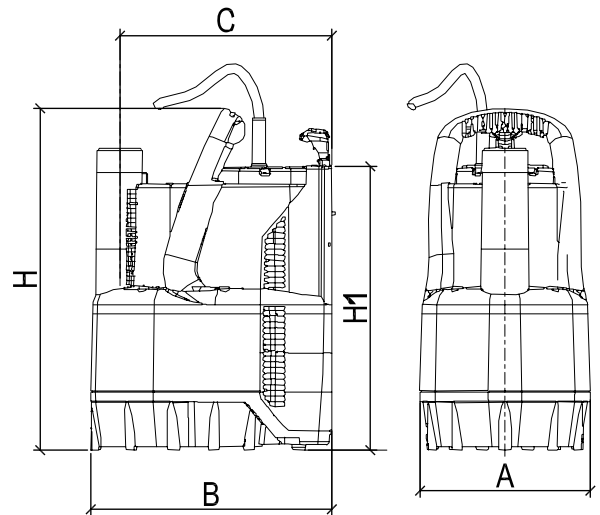
A vertical delivery, submersible drainage pump with automated or manual operation, designed for installation into any garage or basement that is subject to flooding. The Verty Nova has a minimum suction level of 2/3mm and can be used as a portable device for emptying swimming pools, tanks and excavations containing solid particles of up to 5mm in size.



✓ Technical features

- Hydro resistant technopolymer pump body, cover and suction grid
- Stainless steel motor and roto shaft including bolts and screws
- Threefold seal with interposed rings with oiled pre-chamber
- Submersible type, continuous duty, asynchronous motor
- Stator enclosed in airtight stainless steel casing, with an outer cover that protects the wiring and the capacitor
- Rotor running on permanently lubricated ball bearings to ensure low noise and durability
- Built-in amperometric thermal protection and permanently connected capacitor
- Level switch with built-in float, provides automatic operation in fixed installations
- Operating range: From 1 to 10m³/h with head up to 9m
- Recommended liquid: Dirty water without fibres
- Liquid temperature range: From 0°C to 35°C (Domestic Use)
- Outlet: Vertical 1 1/4" plus hose fitting
- Maximum submersible depth: 7m

📏 Dimensions



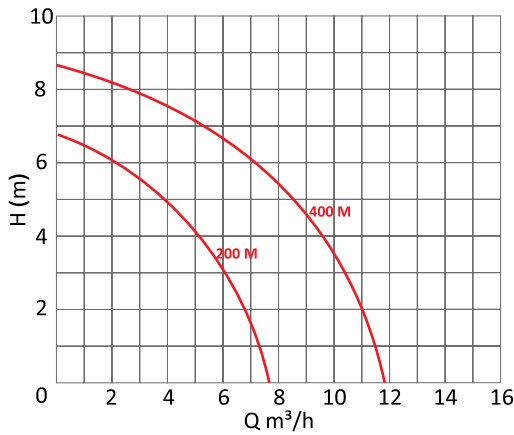
🔍 Models

PUMP MODEL	CONNECTIONS mm	INTENSITY A		DIMENSIONS						PACKING	WEIGHT kg	VOLUME m ³
		II 230	III 230	A	B	C	D	H	H1			
VERTY NOVA 200 M	2"	1.3	-	158	225	200	33	318	265	1	4.2	0.014
VERTY NOVA 400 M	2"	2.6	-	158	225	200	33	354	301	1	5.1	0.014



Hydraulic features

PUMP MODELS	HEIGHT m	1	2	3	4	5	6	7	8	9
VERTY NOVA 200 M	FLOW (m ³ /h)	6.5	6.1	5.5	5	4	3	-	-	-
VERTY NOVA 400 M		9	8.8	8.1	7.8	7.2	6.8	6	5.2	0



Electric features

PUMP MODELS 50 HZ	INPUT POWER P1 kW	MOTOR POWER P2	
		kW	HP
VERTY NOVA 200 M	0.3	0.2	0.28
VERTY NOVA 400 M	0.6	0.4	0.55

Your global partner since 1974. Trusted for superior quality and exceptional innovations.



Head Office

AQUA S.p.A
42018 San Martino in Rio, Reggio Emilia
Italy - Via Crotti, 1
P: +39 0522 695805/85 - F: +39 0522 646160
aqua@aqua.it | www.aqua.it

AQUA S.p.A - POOL DIVISION
46043 Castiglione d. Stiviere, Mantova - Italy
P: +39 0376 671973 - F: +39 0376 940139
infpools@aqua.it | www.aqua.it



Branches

AQUA WATER SYSTEMS LTD
Unit 135 Oak Drive Hartlebury Trading Estate,
Worcestershire, DY10 4JB
P: +44 (0)1299 251050, F: +44 (0)1299 253704
sales@askaqua.co.uk | www.askaqua.co.uk

AQUA FILTRACION S.A.
Pol. Ind. Castellbisbal Sud 08755
Castellbisbal, Barcelona
P: +34 (0)93 7711855, F: +34 (0)93 7711772
info@aqua.es | www.aqua.es

AQUA SU ARITIMI SAN. VE MUH. TIC. LTD. STI.
Ferhatpasa Mahallesi Maresal Fevzi Cakmak
Cad. No:45 Pk.34888 Atasehir / Istanbul - Turkey
P: +90 216 661 60 60, F: +90 216 661 68 50
info@aqua.com.tr | www.aqua.com.tr

AQUA MIDDLE EAST FZC
1J-07/4 and 1J-07/3 - Hamriyah Free Zone
P.O.Box 42585 Sharjah - United Arab Emirates
P: +971 6 526 0563, F: +971 6 526 0564
contact@aqua-me.ae
www.aqua-me.ae

AQUA WATER SYSTEMS INDIA PVT LTD
4A/4B/4C-,Puttappa Industrial Estate
Mahadevapura Post, White Field Road,
Bangalore 560 048
P: 0091 80 4152 1313, F: 0091 80 4152 1414
contact@aquaindia.in | sales@aquaindia.in
www.aquaindia.in

AQUA GROUP RUS
Juridical Address:
107014, Egerskaya str, 1, Moscow, Russia
Residence Address:
127081, Chermianskaya str, 3, Moscow, Russia
P: +7 495 6458078, F: +7 495 969 2413
mail@aqua-italy.ru | www.aqua-italy.ru
www.aqua.it

AQUA GROUP LLC
Office : Regus – Sarayat EL Maadi, Egypt
Management & Warehouse : Plot no 2-2nd service
axe, 2nd Industrial Zone, October, Egypt
P: +20 2 3820 2259 | info@aqua.eg