

PUMPS & COUNTER CURRENT 02/12

CENTRIFUGAL PUMP 1450 R.P.M. IN CAST IRON

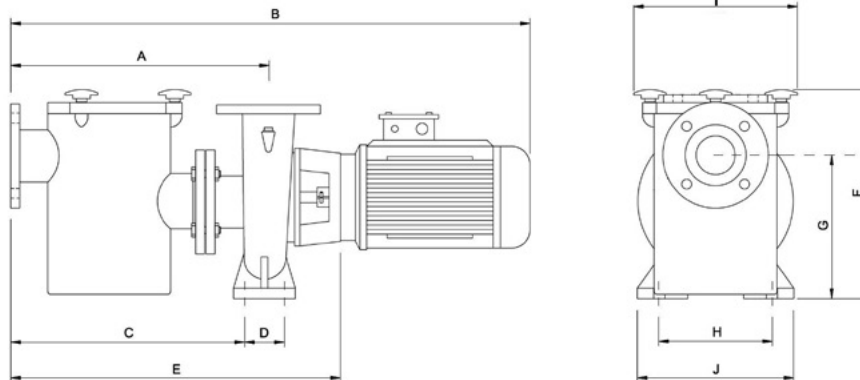
A cast iron, large volume, centrifugal pump with pre-filter, suitable for all demanding filtration systems in commercial swimming pools. Designed for quiet running and easy maintenance, this device incorporates a standard 4 pole motor and makes repair or replacement very easy without the need to remove valves or the hydraulic system.



✓ Technical features

- Cast iron pump body, support and pre-filter chamber
- Large pre-filter basket made in AISI 316 Stainless steel
- Silicon carbide mechanical seal (Tungsten carbon, AISI 316, epdm viton etc - Available on request)
- Cast iron impeller as standard (Bronze impeller available on request)
- Flange connection from DN-65 to DN-125
- Stainless steel AISI 316 shaft coupling and screws
- Motor and pump shafts connected by coupling
- Standard asynchronous, 4 pole motor, sealed from external Cataphoresis processed for corrosion resistance.
- Lubricated bearings to ensure long life and quiet operation
- Suitable for high heights filtration systems (HF-4 models only)
- IE3 standardised motor: 1450 RPM at 50Hz(1750 RPM at 60Hz)
- Protection rating: IP55
- Insulation rating: Class F
- Power supply: 230/400V 50Hz and 60Hz on demand

📏 Dimensions



🔍 Models

PRODUCT CODE	CONNECTIONS (DNA - DNI) mm	INTENSITY A		DIMENSIONS										PKG	WEIGHT kg	VOLUME m ³
		III 230	III 400	A	B	C	D	E	F	G	H	I	J			
CF4-300	65-50	9.4	5.3	465	979	430	70	639	360	250	212	265	302	1	94	0.27
CF4-400	80-65	12.5	6.9	442	998	398	95	616	450	250	250	320	333	1	105	0.27
CF4-550	80-65	17	9.2	442	1021	398	95	616	450	250	250	320	333	1	110	0.30
CF4-552	100-80	17	9.2	490	1138	443	95	733	430	270	280	345	365	1	140	0.30
CF4-750	100-80	23	12	490	1248	443	95	733	430	270	280	345	365	1	155	0.30
CF4-1000	125-100	-	15.5	500	1258	440	120	743	480	270	280	360	392	1	176	0.25

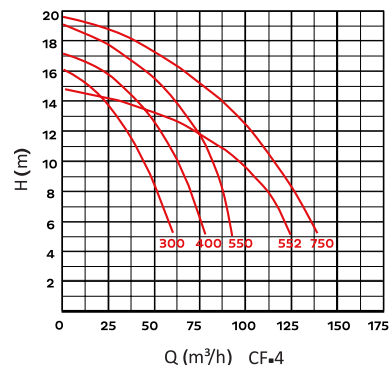
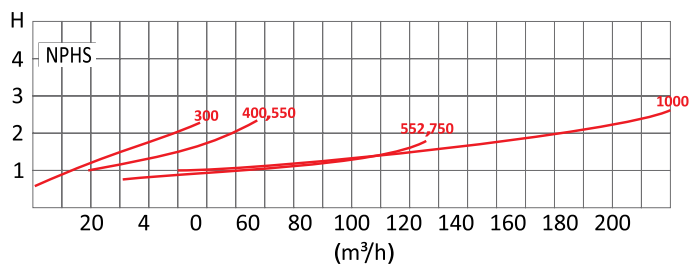
PUMPS & COUNTER CURRENT

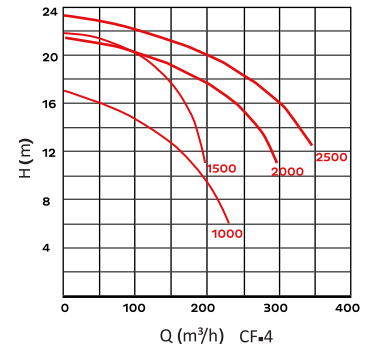
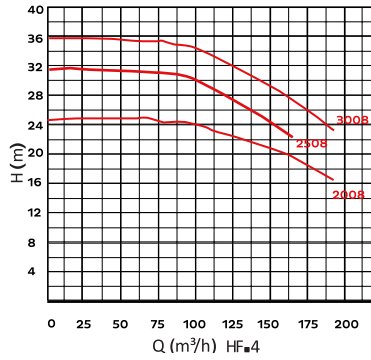
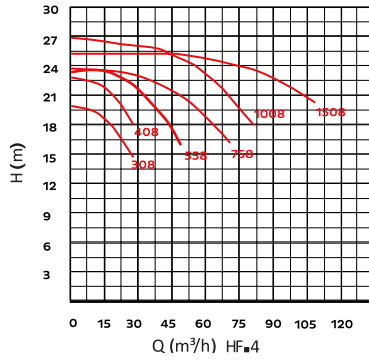
Models (Cont'd)

PRODUCT CODE	CONNECTIONS (DNA - DNI) mm	INTENSITY A		DIMENSIONS										PKG	WEIGHT kg	VOLUME m ³
		III 230	III 400	A	B	C	D	E	F	G	H	I	J			
CF4-1500	125-100	-	21.8	515	1413	455	120	788	505	270	315	400	424	1	272	0.31
CF4-2000	150-125	-	32	585	1528	525	120	858	611	380	315	400	472	1	355	0.46
CF4-2500	150-125	-	39	585	1558	525	120	858	611	380	315	400	472	1	385	0.47
HF-4 308	65-40	9.4	5.5	480	994	432	95	654	415	310	250	260	336	1	127	0.10
HF-4 408	65-40	12.5	6.9	480	994	432	95	654	415	310	250	260	336	1	127	0.10
HF-4 558	65-50	17	9.2	480	994	432	95	654	415	310	250	260	343	1	139	0.10
HF-4 758	80-65	23	12	480	1125	420	120	723	450	330	280	260	370	1	195	0.11
HF-4 1008	80-65	-	15.5	505	1150	445	120	748	505	355	315	260	429	1	211	0.13
HF-4 1508	100-80	-	21.8	505	1238	445	120	778	480	315	315	260	410	1	306	0.12
HF-4 2008	125-100	-	32	520	1253	445	120	793	505	340	315	260	424	1	324	0.13
HF-4 2508	125-100	-	41.5	520	1331	460	120	793	565	365	315	260	478	1	364	0.14
HF-4 3008	125-100	-	52	520	1406	460	120	793	565	365	315	260	478	1	376	0.14

Hydraulic features

CAST IRON	HEIGHT m	CF-4	9	10	12	14	15	16	18	20	21
		HF-4	18	20	22	24	25	27	30	32	35
CF4-300	FLOW (m ³ /h)		49	46	35	25	18	-	-	-	-
CF4-400			-	63	53	39	34	23	-	-	-
CF4-550			-	75	62	54	47	18	-	-	-
CF4-552			106	97	75	28	-	-	-	-	-
CF4-750			-	-	102	87	76	68	-	-	-
CF4-1000			-	195	162	120	90	60	-	-	-
CF4-1500			-	-	195	180	175	170	140	100	60
CF4-2000			-	-	290	280	248	245	195	102	
CF4-2500			-	-	-	340	325	300	260	200	170
HF-4 308			23	13	-	-	-	-	-	-	-
HF-4 408				27	19	-	-	-	-	-	-
HF-4 558			51	43	33	-	-	-	-	-	-
HF-4 758			75	64	50	12	-	-	-	-	-
HF-4 1008				85	75	63	54	-	-	-	-
HF-4 1058			-	-	110	90	72	-	-	-	-
HF-4 2008			-	190	160	120	102	-	-	-	-
HF-4 2508			-	-	-	170	160	140	120	-	-
HF-4 3008			-	-	-	210	200	190	160	135	102





Electric features

MODELS 50 HZ	INPUT POWER P1 kW	OUTPUT POWER P2		MODELS 50 HZ	INPUT POWER P1 kW	OUTPUT POWER P2	
		kW	HP			kW	HP
CF4-300	2.6	2.2	3	HF-4 308	2.6	2.2	3
CF4-400	3.51	3	4	HF-4 408	3.51	3	4
CF4-550	4.61	4	5.5	HF-4 558	4.61	4	5.5
CF4-552	4.6	4	5.5	HF-4 758	6.25	5.5	7.5
CF4-750	6.25	5.5	7.5	HF-4 1008	8.45	7.5	10
CF4-1000	8.45	7.5	10	HF-4 1508	12.25	11	15
CF4-1500	12.25	11	15	HF-4 2008	16.56	15	20
CF4-2000	16.56	15	20	HF-4 2508	20.29	18.5	25
CF4-2500	20.29	18.5	25	HF-4 3008	24.5	22	30

Head Office

AQUA S.p.A
42018 San Martino in Rio, Reggio Emilia
Italy - Via Crotti, 1
P : +39 0522 695805/85 - F : +39 0522 646160
aqua@aqua.it | www.aqua.it

AQUA S.p.A - POOL DIVISION
46043 Castiglione d. Stiviere, Mantova - Italy
P : +39 0376 671973 - F : +39 0376 940139
infpools@aqua.it | www.aqua.it



Branches

AQUA WATER SYSTEMS LTD
Unit 135 Oak Drive Hartlebury Trading Estate,
Worcestershire, DY10 4JB
P : +44 (0)1299 251050, F : +44 (0)1299 253704
sales@askaqua.co.uk | www.askaqua.co.uk

AQUA FILTRACION S.A.
Pol. Ind. Castellbisbal Sud 08755
Castellbisbal, Barcelona
P : +34 (0)93 7711855, F : +34 (0)93 7711772
info@aqua.es | www.aqua.es

AQUA SU ARITIMI SAN. VE MUH. TIC. LTD. STI.
Ferhatpasa Mahallesi Maresal Fevzi Cakmak
Cad. No:45 Pk.34888 Atasehir / Istanbul - Turkey
P : +90 216 661 60 60, F : +90 216 661 68 50
info@aqua.com.tr | www.aqua.com.tr

AQUA MIDDLE EAST FZC
1J-07/4 and 1J-07/3 - Hamriyah Free Zone
P.O.Box 42585 Sharjah - United Arab Emirates
P : +971 6 526 0563, F : +971 6 526 0564
contact@aqua-me.ae
www.aqua-me.ae

AQUA WATER SYSTEMS INDIA PVT LTD
4A/4B/4C-,Puttappa Industrial Estate
Mahadevapura Post, White Field Road,
Bangalore 560 048
P : 0091 80 4152 1313, F : 0091 80 4152 1414
contact@aquaindia.in | sales@aquaindia.in
www.aquaindia.in

AQUA GROUP RUS
Juridical Address:
107014, Egerskaya str, 1, Moscow, Russia
Residence Address:
127081, Chermianskaya str, 3, Moscow, Russia
P : +7 495 6458078, F : +7 495 969 2413
mail@aqua-italy.ru | www.aqua-italy.ru
www.aqua.it

AQUA GROUP LLC
Office : Regus – Sarayat EL Maadi, Egypt
Management & Warehouse : Plot no 2-2nd service
axe, 2nd Industrial Zone, October, Egypt
P : +20 2 3820 2259 | info@aqua.eg