

PUMPS & COUNTER CURRENT 02/11

# CENTRIFUGAL PUMP 'VERT CF-2 & VERT HF-2'

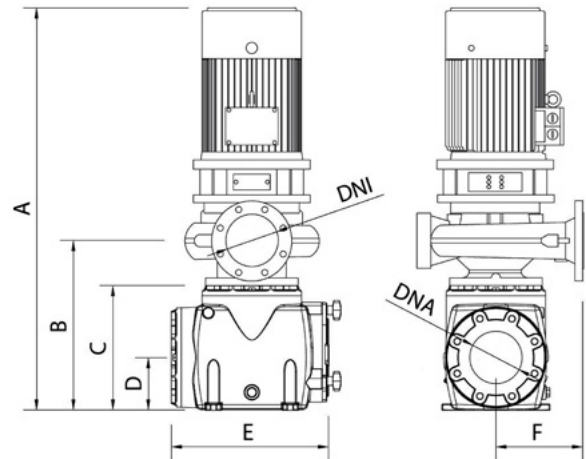
Manufactured in cast iron, this high flow, centrifugal pump has been designed for large filtration systems in commercial swimming pools. For easy maintenance, this pump incorporates a standard 2 pole motor, making repair or replacement very easy without any disruption to the valves or hydraulic system.



## ✓ Technical features

- Cast iron pump body, pre-filter chamber and coupling
- Large pre-filter basket made in AISI 316 Stainless steel
- Mechanical seal in carbon ceramic (Silicon carbide or tungsten carbon available on request)
- Cast iron impeller as standard (Bronze impeller available on request)
- Flange connection from DN-80 to DN-125
- Stainless steel AISI 316 shaft and screws
- Standard asynchronous, 2 pole motor, sealed from external ventilation
- Lubricated bearings to ensure long life and quiet operation
- Ideal for high height filtration systems (Vert HF-2 models only)
- Power supply: 230/400V 50Hz and 60Hz on demand
- IE3 standardised motor: 2900 RPM at 50Hz (3450 RPM at 60Hz)
- Protection rating: IP55
- Insulation rating: Class F

## 📏 Dimensions



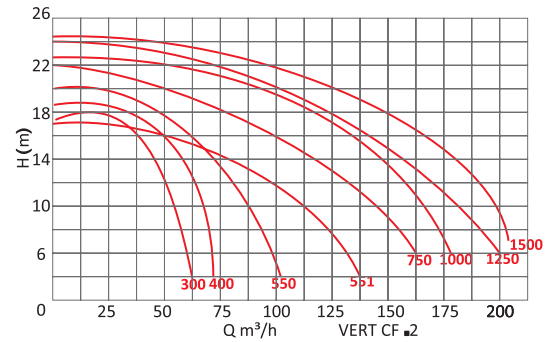
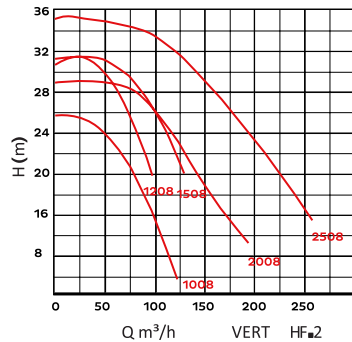
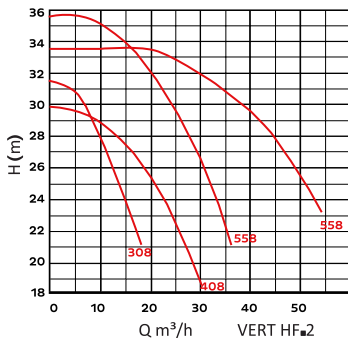
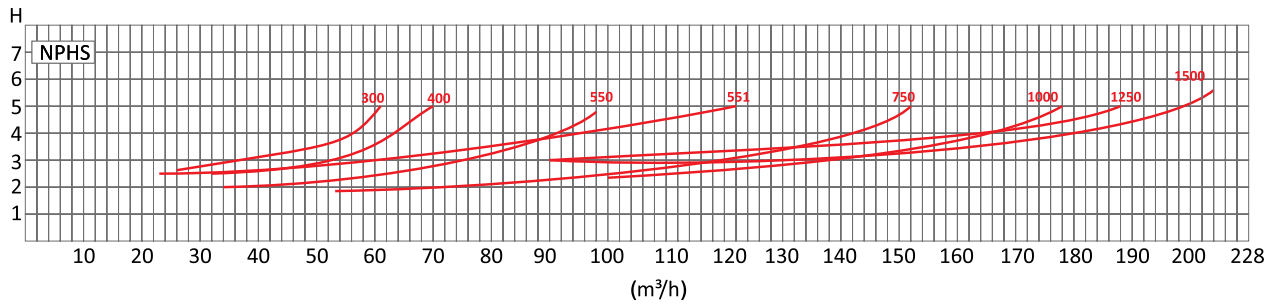
## 🔍 Models

PRODUCT CODE CAST IRON	CONNECTIONS (DNA - DNI) mm	INTENSITY A		DIMENSIONS						PACKING	WEIGHT kg	VOLUME m <sup>3</sup>
		III 230	III 400	A	B	C	D	E	F			
VERT CF-2-300	80	9	5.2	858	448	338	169	410	165	1	167	0.45
VERT CF-2-400	80	12	6.9	888	448	338	169	410	165	1	171	0.47
VERT CF-2-550	125-100	16.5	9.5	933	463	338	169	410	200	1	200	0.49
VERT CF-2-551	125-100	16.5	9.5	933	463	338	169	410	200	1	200	0.49
VERT CF-2-750	125-100	21.7	12.5	998	463	338	169	410	200	1	215	0.52
VERT CF-2-1000	125-100	-	15.5	1043	483	338	169	410	235	1	236	0.55
VERT CF-2-1250	125-100	-	19	1078	483	338	169	410	235	1	243	0.57
VERT CF-2-1500	125-100	-	23	1078	448	338	169	410	235	1	243	0.57
VERT HF-2-308	65-32	8.5	5.2	836	418	338	169	410	200	1	149	0.44
VERT HF-2-408	65-32	11.8	7.1	893	418	338	169	410	225	1	161	0.47
VERT HF-2-558	65-32	16.2	9.4	893	418	338	169	410	225	1	183	0.47
VERT HF-2-758	65-40	-	14.2	1021	418	338	169	410	250	1	210	0.54
VERT HF-2-1008	65-50	-	16.5	1041	438	338	169	410	250	1	220	0.55
VERT HF-2-1208	65-50	-	16.5	1041	438	338	169	410	280	1	188	0.55
VERT HF-2-1508	80-65	-	24.2	1141	438	338	169	410	280	1	289	0.60
VERT HF-2-2008	100-80	-	32	1166	463	338	169	410	355	1	308	0.60
VERT HF-2-2508	100-80	-	41.5	1246	463	338	169	410	355	1	325	0.66



## Hydraulic features

CAST IRON	HEIGHT m	CF-2	6	8	10	12	14	16	18	20	22
		HF-2	18	20	22	24	25	27	30	32	35
VERT CF-2-300	FLOW (m³/h)		58	54	51	46	35	29	-	-	-
VERT CF-2-400			70	64	62	55	49	42	35	-	-
VERT CF-2-550			90	87.5	84	75	65	54	37.5	-	-
VERT CF-2-551			125	114	107	87.5	63	25	-	-	-
VERT CF-2-750			154	144	135	124	106	88	63	-	-
VERT CF-2-1000			172	162.5	137.5	144	132	118	100	68	-
VERT CF-2-1250			194	181	150	160	144	136	112.5	86	-
VERT CF-2-1500			202	197	172	183	170	156	133	110	81
VERT HF-2-308			-	-	17	16	14	12	-	-	-
VERT HF-2-408			-	29	26	23	21	17	6	-	-
VERT HF-2-558			-	-	36	34	33	30	25	20	10
VERT HF-2-758			-	-	-	53	51	47	38	30	-
VERT HF-2-1008			88	76	66	50	38	-	-	-	-
VERT HF-2-1208			-	-	-	80	78	70	42	-	-
VERT HF-2-1508			-	-	-	117	113	96	72	-	-
VERT HF-2-2008			-	142	128	118	112.5	96	71	-	-
VERT HF-2-2508			-	225	212	196	188	172	145	123	50



## Electric features

MODELS 50 HZ	INPUT POWER P1 kW	OUTPUT POWER P 2		MODELS 50 HZ	INPUT POWER P 1 kW	OUTPUT POWER P 2		NOISE LEVEL MAX db A
		kW	HP			kW	HP	
VERT CF-2-300	2.64	2.2	3	VERT HF-2-308	2.69	2.2	3	64
VERT CF-2-400	3.54	3	4	VERT HF-2-408	3.54	3	4	64
VERT CF-2-550	4.65	4	5.5	VERT HF-2-558	4.65	4	5.5	65
VERT CF-2-551	4.65	4	5.5	VERT HF-2-758	6.24	5.5	7.5	69
VERT CF-2-750	6.27	5.5	7.5	VERT HF-2-1008	8.36	7.5	10	71
VERT CF-2-1000	8.36	7.5	10	VERT HF-2-1208	10.28	7.5	10	72
VERT CF-2-1250	0.28	9.2	12.5	VERT HF-2-1508	12.3	11	15	74
VERT CF-2-1500	12.3	11	15	VERT HF-2-2008	16.7	15	20	76
-	-	-	-	VERT HF-2-2508	20.6	18.5	25	77



Your global partner since 1974. Trusted for superior quality and exceptional innovations.

## Head Office

**AQUA S.p.A**  
42018 San Martino in Rio, Reggio Emilia  
Italy - Via Crotti, 1  
P : +39 0522 695805/85 - F : +39 0522 646160  
aqua@aqua.it | www.aqua.it

**AQUA S.p.A - POOL DIVISION**  
46043 Castiglione d. Stiviere, Mantova - Italy  
P : +39 0376 671973 - F : +39 0376 940139  
infopools@aqua.it | www.aqua.it



## Branches

**AQUA WATER SYSTEMS LTD**  
Unit 135 Oak Drive Hartlebury Trading Estate,  
Worcestershire, DY10 4JB  
P : +44 (0)1299 251050, F : +44 (0)1299 253704  
sales@askaqua.co.uk | www.askaqua.co.uk

**AQUA FILTRACION S.A.**  
Pol. Ind. Castellbisbal Sud 08755  
Castellbisbal, Barcelona  
P : +34 (0)93 7711855, F : +34 (0)93 7711772  
info@aqua.es | www.aqua.es

**AQUA SU ARITIMI SAN. VE MUH. TIC. LTD. STI.**  
Ferhatpasa Mahallesi Maresal Fevzi Cakmak  
Cad. No:45 Pk.34888 Atasehir / Istanbul - Turkey  
P : +90 216 661 60 60, F : +90 216 661 68 50  
info@aqua.com.tr | www.aqua.com.tr

**AQUA MIDDLE EAST FZC**  
1J-07/4 and 1J-07/3 - Hamriyah Free Zone  
P.O.Box 42585 Sharjah - United Arab Emirates  
P : +971 6 526 0563, F : +971 6 526 0564  
contact@aqua-me.ae  
www.aqua-me.ae

**AQUA WATER SYSTEMS INDIA PVT LTD**  
4A/4B/4C-,Puttappa Industrial Estate  
Mahadevapura Post, White Field Road,  
Bangalore 560 048  
P : 0091 80 4152 1313, F : 0091 80 4152 1414  
contact@aquaindia.in | sales@aquaindia.in  
www.aquaindia.in

**AQUA GROUP RUS**  
Juridical Address:  
107014, Egerskaya str, 1, Moscow, Russia  
Residence Address:  
127081, Chermianskaya str, 3, Moscow, Russia  
P : +7 495 6458078, F : +7 495 969 2413  
mail@aqua-italy.ru | www.aqua-italy.ru  
www.aqua.it

**AQUA GROUP LLC**  
Office : Regus – Sarayat EL Maadi, Egypt  
Management & Warehouse : Plot no 2-2nd service  
axe, 2nd Industrial Zone, October, Egypt  
P : +20 2 3820 2259 | info@aqua.eg