

PUMPS & COUNTER CURRENT 02/02

SELF PRIMING PUMP 'EUROPRO'

A highly reliable and efficient self-priming centrifugal pump with built-in large capacity pre-filter. The 'Europro' is extremely quiet to run and developed to promote water circulation and filtration in residential swimming pools.



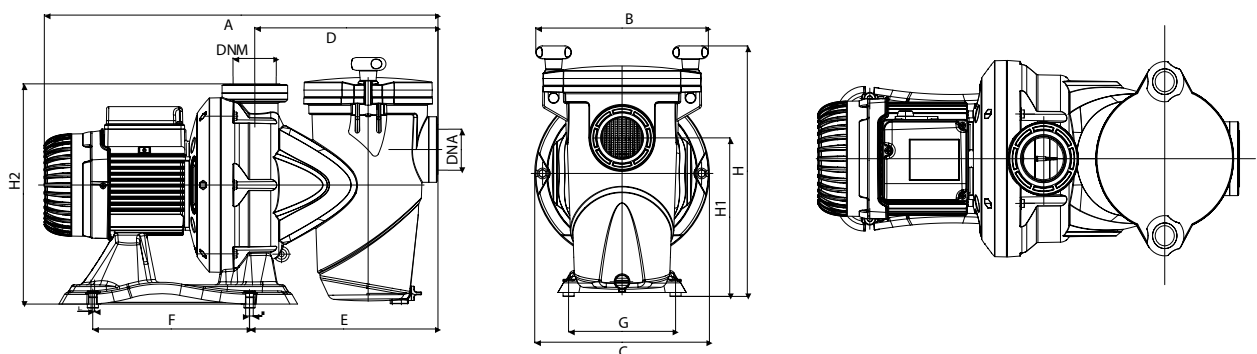
✓ Technical features

- Fibreglass reinforced technopolymer body, impeller and diffuser
- Nylon strainer to prevent debris from entering the system
- Strainer lid in clear antioxidant polycarbonate for visibility during operation
- Electrical motor shaft (Completely isolated from the water flow)
- Diffuser in reinforced technopolymer
- Mechanical seal in carbon / alumina / NBR / AISI 316
- Pump body O-rings in NBR, threaded fasteners and reinforcing rings in AISI 304
- Butterfly drain plugs for easy removal and refitting without tools
- Asynchronous continuous duty 2-pole motor (S1) with generous range of power ratings from 0.5 HP to 3 HP, single phase and three-phase
- Motor casing in die cast aluminium with electrophoresis surface treatment to prevent oxidation even in aggressive environmental conditions
- Base plate with rubber mounts to reduce vibration transmission
- Single phase version with integral thermal and overcurrent protection and permanent split capacitor (PSC), assembled inside the terminal box for all versions
- Water-proof and sealed ball bearings for resistance to water and humidity.
- Motor construction to EN 60335-2-41 standards
- Recommended liquid: clean water or water slightly contaminated with suspended solid bodies, long fibre; highly aggressive water with high percentage of chlorine/bromine and PHMB (Polyhexamethylene Biguanide) or water treated with chlorine electrolytic process
- Installation can be fixed or portable in horizontal position
- Operating range: Up to 42m³/h with pressure head of up to 22m
- Maximum liquid temperature: 60°C
- Maximum ambient temperature: +50°C
- Motor: 2900 RPM
- Maximum operating pressure: 2.5 bar
- Protection rating: IPX5 50Hz and 60Hz on demand
- Insulation rating: Class F
- Standard: IEC-60364

Please note:

Alternative voltages and/or frequencies available on request. Fittings available on request: 2"/50mm – 63mm kit (two fittings + O-ring). See accessories.

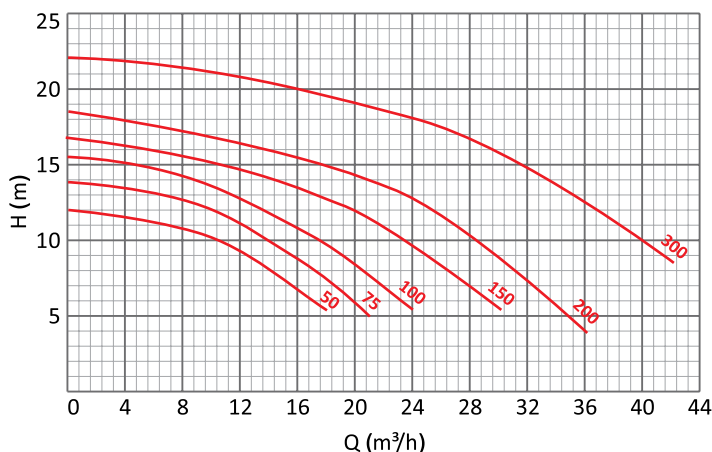
📏 Dimensions



Models

PRODUCT CODE		CONNECTION DNA/DNM	DIMENSIONS												PKG	WEIGHT kg	VOLUME m ³
			A	B	C	D	E	F	G	H	H1	H2	I	L			
EUROPRO 50 M	-	2"	542	242	242	257	265	220	150	351	222	314	11	6,5	1	16	0.086
EUROPRO 75 M	EUROPRO 75 T	2"	552	242	245	257	265	220	150	351	222	314	11	6,5	1	16.5	0.086
EUROPRO 100 M	EUROPRO 100 T	2"	552	242	245	257	265	220	150	351	222	314	11	6,5	1	17	0.086
EUROPRO 150 M	EUROPRO 150 T	2"	574	250	290	267	274	220	150	387	258	350	11	6,5	1	22	0.108
EUROPRO 200 M	EUROPRO 200 T	2"	648	311	290	267	274	220	150	387	258	350	11	6,5	1	24	0.108
EUROPRO 300 M	EUROPRO 300 T	2"	648	252	290	267	274	220	150	387	258	350	11	6,5	1	24.5	0.108

Hydraulic features



SINGLE PHASE MODELS	THREE PHASE MODELS	HEIGHT m	4	6	8	10	12	14	16	18	20	22	24
			FLOW (m ³ /h)										
EUROPRO 50M	-	FLOW (m ³ /h)	-	17	15	11	-	-	-	-	-	-	-
EUROPRO 75M	EUROPRO 75T		-	20	17	14	11	-	-	-	-	-	-
EUROPRO 100M	EUROPRO 100T		-	23	21	17	15	9	-	-	-	-	-
EUROPRO 150M	EUROPRO 150T		-	30	27	23	20	14	7	-	-	-	-
EUROPRO 200M	EUROPRO 200T		36	34	31	29	26	21	14	4	-	-	-
EUROPRO 300M	EUROPRO 300T		-	-	42	40	37	33	30	24	16	3	-

Electric features

PUMP MODEL	INPUT POWER P1 W		OUTPUT POWER P2		NOISE LEVEL MAX db A
	1 x 220-240 V ~	3 x 230-400 V ~	kW	HP	
EUROPRO 50M	900	-	0,33	0,5	64
EUROPRO 75M	1000	-	0,5	0,75	65
EUROPRO 100M	1300	-	0,75	1	66
EUROPRO 150M	1600	-	1,1	1,5	66
EUROPRO 200M	1900	-	1,5	2	67
EUROPRO 300M	2800	-	2,2	3	67
EUROPRO 75T	-	950	0,55	0,75	65
EUROPRO 100T	-	1200	0,75	1	66
EUROPRO 150T	-	1500	1,1	1,5	66
EUROPRO 200T	-	1900	1,5	2	66
EUROPRO 300T	-	2800	2,2	3	67



Your global partner since 1974. Trusted for superior quality and exceptional innovations.



Head Office

AQUA S.p.A

42018 San Martino in Rio, Reggio Emilia
Italy - Via Crotti, 1
P : +39 0522 695805/85 - F : +39 0522 646160
aqua@aqua.it | www.aqua.it

AQUA S.p.A - POOL DIVISION

46043 Castiglione d. Stiviere, Mantova - Italy
P : +39 0376 671973 - F : +39 0376 940139
infopools@aqua.it | www.aqua.it



Branches

AQUA WATER SYSTEMS LTD

Unit 135 Oak Drive Hartlebury Trading Estate,
Worcestershire, DY10 4JB
P : +44 (0)1299 251050, F : +44 (0)1299 253704
sales@askaqua.co.uk | www.askaqua.co.uk

AQUA FILTRACION S.A.

Pol. Ind. Castellbisbal Sud 08755
Castellbisbal, Barcelona
P : +34 (0)93 7711855, F : +34 (0)93 7711772
info@aqua.es | www.aqua.es

AQUA SU ARITIMI SAN. VE MUH. TIC. LTD. STI.

Ferhatpasa Mahallesi Maresal Fevzi Cakmak
Cad. No:45 Pk.34888 Atasehir / Istanbul - Turkey
P : +90 216 661 60 60, F : +90 216 661 68 50
info@aqua.com.tr | www.aqua.com.tr

AQUA MIDDLE EAST FZC

1J-07/4 and 1J-07/3 - Hamriyah Free Zone
P.O.Box 42585 Sharjah - United Arab Emirates
P : +971 6 526 0563, F : +971 6 526 0564
contact@aqua-me.ae
www.aqua-me.ae

AQUA WATER SYSTEMS INDIA PVT LTD

4A/4B/4C-,Puttappa Industrial Estate
Mahadevapura Post, White Field Road,
Bangalore 560 048
P : 0091 80 4152 1313, F : 0091 80 4152 1414
contact@aquaindia.in | sales@aquaindia.in
www.aquaindia.in

AQUA GROUP RUS

Juridical Address:
107014, Egerskaya str, 1, Moscow, Russia
Residence Address:
127081, Chermianskaya str, 3, Moscow, Russia
P : +7 495 6458078, F : +7 495 969 2413
mail@aqua-italy.ru | www.aqua-italy.ru
www.aqua.it

AQUA GROUP LLC

Office : Regus – Sarayat EL Maadi, Egypt
Management & Warehouse : Plot no 2-2nd service
axe, 2nd Industrial Zone, October, Egypt
P : +20 2 3820 2259 | info@aqua.eg

PUMPS & COUNTER