

POOL FILTRATION 01/08

HORIZONTAL BOBBINED FILTERS

A Horizontal, bobbin-wound sand filter available in lateral or nozzle plate systems for air scouring capabilities.

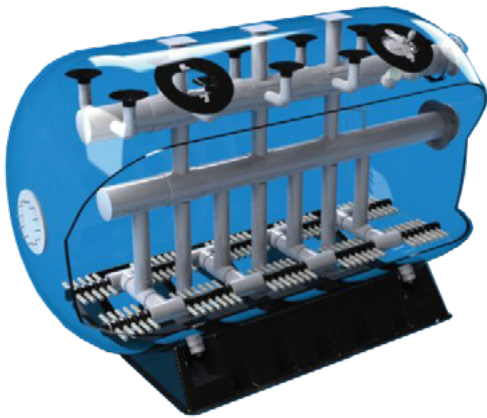


✓ Technical features

- Bobbin-wound fiberglass construction reinforced with polyester resin
- Horizontal cylinder tank with multiple layer construction for anti-corrosive and chemical protection
- UV resistant - Suitable for operation under prolonged sunlight
- Includes built-in service manhole for easy maintenance
- Equipped with a manometer for easy inspection of inlet and outlet working pressure

- Filtration Velocity : 20, 30 or 40m³/h/m²
- Media size: 0.5 - 0.8mm, 1 - 2mm (Recommended)
- Maximum operating pressure: 2.5 or 4 bar (Test pressure: 4 or 6 bar)
- Warranty: 5 years on filter body

Please note:
Manifold and valves are not included



SIGHT GLASS



LATERAL SYSTEM



MANHOLE



MANOMETER



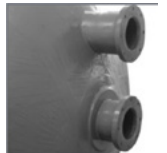
BASE



UNION DRAIN

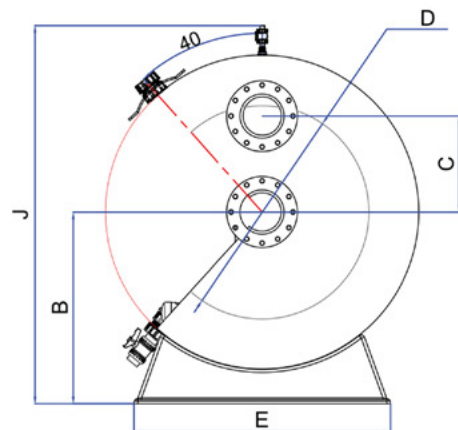
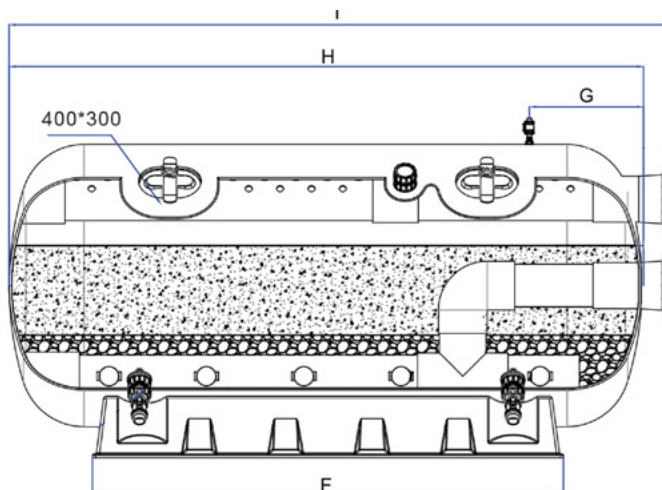


AIR VENT VALVE



FLANGE

📏 Dimensions





Filtration Velocity

FILTRATION VELOCITY m ³ /h/m ²	LENGTH mm	DIAMETER mm															
		1200		1400		1600		1800		2000		2350		2500		3000	
		Conn.	Flow	Conn.	Flow	Conn.	Flow	Conn.	Flow	Conn.	Flow	Conn.	Flow	Conn.	Flow	Conn.	Flow
20	1900	110	39	110	45	110	49	-	-	-	-	-	-	-	-	-	-
	2300	110	48	-	-	-	-	-	-	-	-	-	-	-	-	-	-
	2500	110	53	110	60	-	-	-	-	-	-	-	-	-	-	-	-
	2700	110	57	-	-	-	-	-	-	-	-	-	-	-	-	-	-
	3000	110	64	110	73	-	-	-	-	-	-	140	119	-	-	-	-
	3500	-	-	-	-	-	-	-	-	140	125	140	141	140	149	225	180
	4000	-	-	-	-	-	-	140	125	140	144	225	163	225	172	225	208
	4500	-	-	-	-	-	-	-	-	-	-	225	186	225	196	225	236
	5000	-	-	-	-	-	-	-	-	-	-	225	208	225	220	225	265
30	2500	-	-	-	-	150	101	150	112	150	130	-	-	-	-	-	-
	2700	-	-	-	-	-	-	-	-	-	-	-	-	-	-	-	-
	3000	-	-	140	110	140	123	140	137	140	159	225	178	-	-	-	-
	3500	-	-	-	-	-	-	140	162	140	187	225	212	225	223	250	270
	4000	-	-	-	-	-	-	140	187	140	216	-	-	-	-	250	312
	4500	-	-	-	-	-	-	-	187	140	245	-	-	250	294	250	355
40	1900	140	79	140	89	140	99	-	-	-	-	-	-	-	-	-	-
	2300	140	97	-	-	-	-	-	-	-	-	-	-	-	-	-	-
	2500	140	107	140	121	225	134	200	150	200	174	-	-	-	-	-	-
	2700	140	115	-	-	-	-	-	-	-	-	-	-	-	-	-	-
	3000	140	129	225	147	225	164	200	183	200	212	250	238	-	-	-	-
	3500	-	-	-	-	-	-	250	216	250	250	250	282	250	297	300	360
	4000	-	-	-	-	-	-	250	250	250	288	250	327	250	345	300	416
	4500	-	-	-	-	-	-	-	-	250	326	250	371	300	392	300	473
	5000	-	-	-	-	-	-	-	-	-	-	300	416	300	439	300	530



Models

Ø mm	PRODUCT CODE		FILTRATION		DIMENSIONS mm								QUARTZ SAND kg	PKG	WEIGHT kg	VOLUME m ³	
	2.5 BAR	4 BAR	VELOCITY m ³ /h/m ²	AREA m ²	B	C	D	E	F	G	H	I					J
1200	H-4472-2.5	H-4472-4	20	1.96	747	325	1200	1100	1190	650	1900	2030	1500	1525	1	361	4.52
	H-4473-2.5	H-4473-4	40	1.96	747	325	1200	1100	1190	650	1900	2060	1500	1525	1	435	4.33
	H-4474-2.5	H-4474-4	20	2.42	747	325	1200	1100	1590	650	2300	2430	1500	1975	1	415	4.98
	H-4475-2.5	H-4475-4	40	2.42	747	325	1200	1100	1590	650	2300	2460	1500	1975	1	510	5.14
	H-4476-2.5	H-4476-4	20	2.65	747	325	1200	1100	1790	650	2500	2630	1500	2450	1	435	5.39
	H-4477-2.5	H-4477-4	40	2.65	747	325	1200	1100	1790	650	2500	2660	1500	2450	1	435	5.54
	H-4478-2.5	H-4478-4	20	2.87	747	325	1200	1100	1990	650	2700	2830	1500	2900	1	470	6.47
	H-4479-2.5	H-4479-4	40	2.87	747	325	1200	1100	1990	650	2700	2860	1500	2900	1	565	5.95
	H-4480-2.5	H-4480-4	20	3.21	747	325	1200	1100	2290	650	3000	3130	1500	3250	1	510	8.21
	H-4481-2.5	H-4481-4	40	3.21	747	325	1200	1100	2290	650	3000	3160	1500	3250	1	625	6.56
1400	H-4482-2.5	H-4482-4	20	2.23	847	390	1400	1130	1340	730	1900	2030	1700	2675	1	450	5.47
	H-4483-2.5	H-4483-4	40	2.23	847	390	1400	1130	1340	730	1900	2060	1700	2675	1	550	5.69
	H-4484-2.5	H-4484-4	20	3.02	847	390	1400	1130	1840	730	2500	2630	1700	3625	1	550	8.36
	H-4485-2.5	H-4485-4	40	3.02	847	390	1400	1130	1840	730	2500	2660	1700	3625	1	615	7.39
	H-4486-2.5	H-4486-4	20	3.67	847	390	1400	1130	2340	730	3000	3130	1700	4450	1	550	10.12
	H-4487-2.5	H-4487-4	30	3.67	847	390	1400	1130	2340	730	3000	3160	1700	4450	1	575	8.93
	H-4488-2.5	H-4488-4	40	3.67	847	390	1400	1130	2340	730	3000	3180	1700	4450	1	710	9.01

Models (Cont'd)

Ø mm	PRODUCT CODE		FILTRATION		DIMENSIONS mm									QUARTZ SAND kg	PKG	WEIGHT kg	VOLUME m ³
			VELOCITY m ³ /h/m ²	AREA m ²	B	C	D	E	F	G	H	I	J				
	2.5 BAR	4 BAR															
1600	H-4489-2.5	H-4489-4	20	2.47	945	475	1600	1440	1210	810	1900	2130	1900	3450	1	490	7.84
	H-4490-2.5	H-4490-4	40	2.47	945	475	1600	1440	1210	810	1900	2160	1900	3450	1	615	7.94
	H-4491-2.5	H-4491-4	30	3.36	945	475	1600	1440	1710	810	2500	2660	1900	4725	1	575	9.66
	H-4492-2.5	H-4492-4	40	3.36	945	475	1600	1440	1710	810	2500	2680	1900	4725	1	715	9.73
	H-4493-2.5	H-4493-4	30	4.10	945	475	1600	1440	2210	810	3000	3160	1900	5800	1	670	13.32
	H-4494-2.5	H-4494-4	40	4.10	945	475	1600	1440	2210	810	3000	3180	1900	5800	1	825	11.59
1800	H-4495-2.5	H-4495-4	30	3.74	1100	550	1800	1380	1560	850	2500	2660	2170	5825	1	650	12.26
	H-4496-2.5	H-4496-4	40	3.74	1100	550	1800	1380	1560	850	2500	2680	2170	5825	1	860	12.53
	H-4497-2.5	H-4497-4	30	4.58	1100	550	1800	1380	2060	850	3000	3160	2170	7150	1	790	15.22
	H-4498-2.5	H-4498-4	40	4.58	1100	550	1800	1380	2060	850	3000	3180	2170	7150	1	980	15.31
	H-4499-2.5	H-4499-4	30	5.41	1100	550	1800	1380	2060	850	3500	3680	2170	8475	1	890	17.46
	H-4500-2.5	H-4500-4	40	5.41	1100	550	1800	1380	2560	850	3500	3680	2170	8475	1	1100	17.54
	H-4501-2.5	H-4501-4	20	6.25	1100	550	1800	1380	3060	850	4000	4160	2170	9775	1	990	18.98
	H-4502-2.5	H-4502-4	30	6.25	1100	550	1800	1380	3060	850	4000	4180	2170	9775	1	1220	19.25
	H-4503-2.5	H-4503-4	40	6.25	1100	550	1800	1380	3060	850	4000	4180	2170	9775	1	1280	19.25
2000	H-4504-2.5	H-4504-4	30	4.34	1200	710	2000	1720	1380	1000	2500	2660	2370	7626	1	800	12.02
	H-4505-2.5	H-4505-4	40	4.34	1200	710	2000	1720	1380	1000	2500	2680	2370	7626	1	1000	11.22
	H-4506-2.5	H-4506-4	30	5.30	1200	710	2000	1720	1880	1000	3000	3160	2370	9325	1	895	15.85
	H-4507-2.5	H-4507-4	40	5.30	1200	710	2000	1720	1880	1000	3000	3180	2370	9325	1	1125	16.21
	H-4508-2.5	H-4508-4	20	6.25	1200	710	2000	1720	2380	1000	3500	3660	2370	11025	1	1000	20.01
	H-4509-2.5	H-4509-4	30	6.25	1200	710	2000	1720	2380	1000	3500	3680	2370	11025	1	1250	18.76
	H-4510-2.5	H-4510-4	40	6.25	1200	710	2000	1720	2380	1000	3500	3680	2370	11025	1	1280	18.76
	H-4511-2.5	H-4511-4	20	7.21	1200	710	2000	1720	2880	1000	4000	4160	2370	12725	1	1090	23.70
	H-4512-2.5	H-4512-4	30	7.21	1200	710	2000	1720	2880	1000	4000	4180	2370	12725	1	1345	22.14
	H-4513-2.5	H-4513-4	40	7.21	1200	710	2000	1720	2880	1000	4000	4180	2370	12725	1	1430	22.14
	H-4514-2.5	H-4514-4	30	8.16	1200	710	2000	1720	3380	1000	4500	4680	2370	14450	1	1170	26.86
	H-4515-2.5	H-4515-4	40	8.16	1200	710	2000	1720	3380	1000	4500	4680	2370	14450	1	1460	24.99

Models (Cont'd)

Ø mm	PRODUCT CODE		FILTRATION		DIMENSIONS mm								QUARTZ SAND kg	PKG	WEIGHT kg	VOUME m³	
			VELOCITY m³/h/m²	AREA m²	B	C	D	E	F	G	H	I					J
	2.5 BAR	4 BAR															
2350	H-4516-2.5	H-4516-4	20	5.94	1390	710	2350	1950	1270	1180	3000	3160	2730	11875	1	1030	22.35
	H-4517-2.5	H-4517-4	30	5.94	1390	710	2350	1950	1270	1180	3000	3180	2730	11875	1	1320	23.00
	H-4518-2.5	H-4518-4	40	5.94	1390	710	2350	1950	1270	1180	3000	3180	2730	11875	1	1340	23.00
	H-4519-2.5	H-4519-4	20	7.06	1390	710	2350	1950	1170	1180	3500	3660	2730	14175	1	1125	27.33
	H-4520-2.5	H-4520-4	30	7.06	1390	710	2350	1950	1170	1180	3500	3680	2730	14175	1	1425	26.46
	H-4521-2.5	H-4521-4	40	7.06	1390	710	2350	1950	1170	1180	3500	3680	2730	14175	1	1480	26.46
	H-4522-2.5	H-4522-4	20	8.17	1390	710	2350	1950	2270	1180	4000	4180	2730	16450	1	1270	31.20
	H-4523-2.5	H-4523-4	40	8.17	1390	710	2350	1950	2270	1180	4000	4180	2730	16450	1	1595	30.05
	H-4524-2.5	H-4524-4	20	9.28	1390	710	2350	1950	2770	1180	4500	4680	2730	18725	1	1450	33.37
	H-4525-2.5	H-4525-4	40	9.28	1390	710	2350	1950	2770	1180	4500	4680	2730	18725	1	1805	33.37
	H-4526-2.5	H-4526-4	20	10.4	1390	710	2350	1950	3270	1180	5000	5180	2730	21000	1	1595	36.61
	H-4527-2.5	H-4527-4	30	10.4	1390	710	2350	1950	3270	1180	5000	5180	2730	21000	1	1975	36.61
H-4528-2.5	H-4528-4	40	10.4	1390	710	2350	1950	3270	1180	5000	5180	2730	21000	1	2000	36.61	
2500	H-4529-2.5	H-4529-4	20	7.34	1480	710	2500	2120	1850	1270	3500	3660	2900	14850	1	1170	28.42
	H-4530-2.5	H-4530-4	30	7.34	1480	710	2500	2120	1850	1270	3500	3680	2900	14850	1	1500	28.80
	H-4531-2.5	H-4531-4	40	7.34	1480	710	2500	2120	1850	1270	3500	3680	2900	14850	1	1520	28.80
	H-4532-2.5	H-4532-4	20	8.62	1480	710	2500	2120	2350	1270	4000	4180	2900	17225	1	1320	32.60
	H-4533-2.5	H-4533-4	40	8.62	1480	710	2500	2120	2350	1270	4000	4180	2900	17225	1	1680	32.60
	H-4534-2.5	H-4534-4	20	9.80	1480	710	2500	2120	2850	1270	4500	4680	2900	19650	1	1480	21.50
	H-4535-2.5	H-4535-4	30	9.80	1480	710	2500	2120	2850	1270	4500	4680	2900	19650	1	1860	21.50
	H-4536-2.5	H-4536-4	40	9.80	1480	710	2500	2120	2850	1270	4500	4680	2900	19650	1	1960	21.50
	H-4537-2.5	H-4537-4	20	10.98	1480	710	2500	2120	3350	1270	5000	5180	2900	22050	1	1650	40.50
	H-4538-2.5	H-4538-4	30	10.98	1480	710	2500	2120	3350	1270	5000	5180	2900	22050	1	2170	40.50
H-4539-2.5	H-4539-4	40	10.98	1480	710	2500	2120	3350	1270	5000	5180	2900	22050	1	2190	40.50	
3000	H-4540-2.5	H-4540-4	20	8.98	1730	710	3000	2600	1880	1480	3500	3680	3410	22375	1	1460	41.47
	H-4541-2.5	H-4541-4	30	8.98	1730	710	3000	2600	1880	1480	3500	3680	3410	22375	1	1860	41.47
	H-4542-2.5	H-4542-4	40	8.98	1730	710	3000	2600	1880	1480	3500	3680	3410	22375	1	1890	41.47
	H-4543-2.5	H-4543-4	20	10.40	1730	710	3000	2600	2380	1480	4000	4180	3410	25975	1	1650	46.56
	H-4544-2.5	H-4544-4	30	10.40	1730	710	3000	2600	2380	1480	4000	4180	3410	25975	1	2075	46.56
	H-4545-2.5	H-4545-4	40	10.40	1730	710	3000	2600	2380	1480	4000	4180	3410	25975	1	2090	46.56
	H-4546-2.5	H-4546-4	20	11.82	1730	710	3000	2600	2880	1480	4500	4680	3410	29600	1	1835	52.52
	H-4547-2.5	H-4547-4	30	11.82	1730	710	3000	2600	2880	1480	4500	4680	3410	29600	1	2300	52.52
	H-4548-2.5	H-4548-4	40	11.82	1730	710	3000	2600	2880	1480	4500	4680	3410	29600	1	2330	52.52
	H-4549-2.5	H-4549-4	20	13.24	1730	710	3000	2600	3380	1480	5000	5180	3410	33175	1	2030	57.72
	H-4550-2.5	H-4550-4	30	13.24	1730	710	3000	2600	3380	1480	5000	5180	3410	33175	1	2440	57.72
H-4551-2.5	H-4551-4	40	13.24	1730	710	3000	2600	3380	1480	5000	5180	3410	33175	1	2450	57.72	

POOL FILTRATION



Your global partner since 1974. Trusted for superior quality and exceptional innovations.



Head Office

AQUA S.p.A

42018 San Martino in Rio, Reggio Emilia
Italy - Via Crotti, 1
P: +39 0522 695805/85 - F: +39 0522 646160
aqua@aqua.it | www.aqua.it

AQUA S.p.A - POOL DIVISION

46043 Castiglione d. Stiviere, Mantova - Italy
P: +39 0376 671973 - F: +39 0376 940139
infopools@aqua.it | www.aqua.it



Branches

AQUA WATER SYSTEMS LTD

Unit 135 Oak Drive Hartlebury Trading Estate,
Worcestershire, DY10 4JB
P: +44 (0)1299 251050, F: +44 (0)1299 253704
sales@askaqua.co.uk | www.askaqua.co.uk

AQUA FILTRACION S.A.

Pol. Ind. Castellbisbal Sud 08755
Castellbisbal, Barcelona
P: +34 (0)93 7711855, F: +34 (0)93 7711772
info@aqua.es | www.aqua.es

AQUA SU ARITIMI SAN. VE MUH. TIC. LTD. STI.

Ferhatpasa Mahallesi Maresal Fevzi Cakmak
Cad. No:45 Pk.34888 Atasehir / Istanbul - Turkey
P: +90 216 661 60 60, F: +90 216 661 68 50
info@aqua.com.tr | www.aqua.com.tr

AQUA MIDDLE EAST FZC

1J-07/4 and 1J-07/3 - Hamriyah Free Zone
P.O.Box 42585 Sharjah - United Arab Emirates
P: +971 6 526 0563, F: +971 6 526 0564
contact@aqua-me.ae
www.aqua-me.ae

AQUA WATER SYSTEMS INDIA PVT LTD

4A/4B/4C-,Puttappa Industrial Estate
Mahadevapura Post, White Field Road,
Bangalore 560 048
P: 0091 80 4152 1313, F: 0091 80 4152 1414
contact@aquaindia.in | sales@aquaindia.in
www.aquaindia.in

AQUA GROUP RUS

Juridical Address:
107014, Egerskaya str, 1, Moscow, Russia
Residence Address:
127081, Chermianskaya str, 3, Moscow, Russia
P: +7 495 6458078, F: +7 495 969 2413
mail@aqua-italy.ru | www.aqua-italy-ru
www.aqua.it

AQUA GROUP LLC

Office : Regus – Sarayat EL Maadi, Egypt
Management & Warehouse : Plot no 2-2nd service
axe, 2nd Industrial Zone, October, Egypt
P: +20 2 3820 2259 | info@aqua.eg