



CHEMICAL DOSING EQUIPMENT

Your global partner in  
high quality and strong  
innovation since 1974

---

# PERISTALTIC DOSING PUMPS



ITALY, GREAT BRITAIN, SPAIN, TURKEY, UAE, INDIA, RUSSIA

DS0001

# PERISTALTIC DOSING PUMPS

## SIMPOOL POOL-T

### CONTEXT OF USE:

- For private pools with a volume up to 200 cu. m, to dose chlorine or other liquid disinfectants upon activation of the recirculation pump.

### DESCRIPTION:

- Digital peristaltic pump for dosing chemicals for pools (chlorine, Hydrogen peroxide, flocculant, anti-algae).
- Relay or cycle mode programmable functioning.
- Inhibit input with specific cable to activate and allow the dosing (to be connected to ricirculation pump).
- The pump comes with kit and accessories for a correct installation (collar excluded).

### TECHNICAL FEATURES:

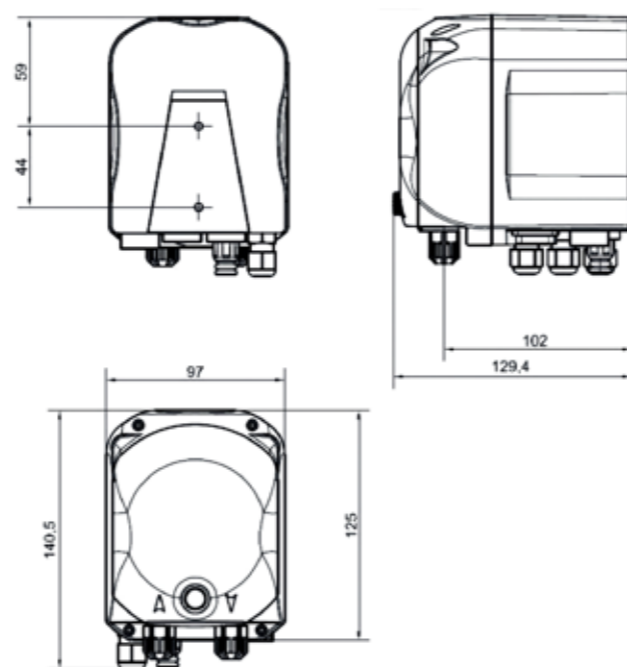
- Power supply: standard 230 VAC
- Absorption: 15 WATT (max)
- Level inputs: standard
- INHIBIT inputs: 230 VAC to activate and allow the dosing (circulation pump)
- Switch: on/off/prime

### STANDARDS:

- No. 2004/108/CE EMC directive
- No. 2006/95/CE "DBT low voltage directive"
- No. 2011/65/UE, 2002/96/CE "RoHS and WEEE directives"

### PACKAGE SIZE: (LXHXW)

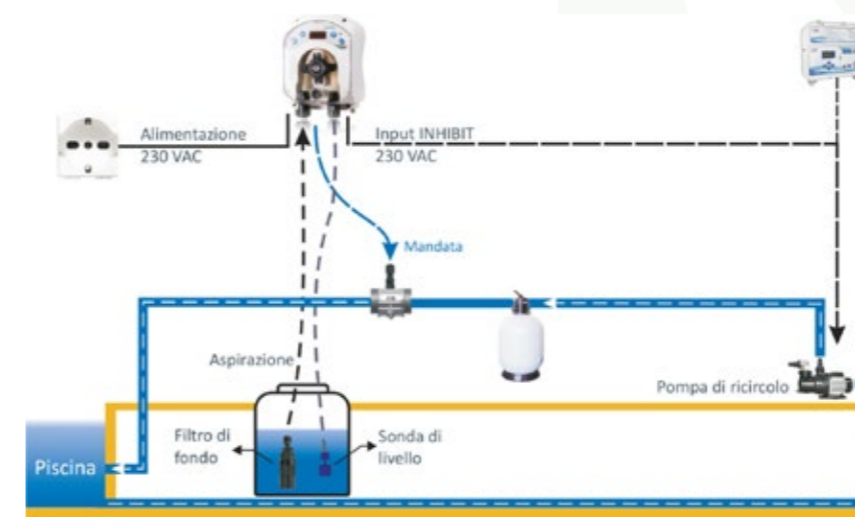
250x145x265 mm



### INSTALLATION KIT

	Wall fixing bracket ADSP8000025		Foot filter 4x6 ADSP6000001
	Tubo in PVC Ø4x6, 4m ADSP6000551		G1/2" Duckbill injection valve ADSP6000049
	Wall plugs and screws ADSP6000041		

### INSTALLATION EXAMPLE



CODE	POWER	FLOW RATE	PRESSURE	WATT	PIPE	PACKING	WEIGHT	VOLUME
		l/h	bar				kg	m <sup>3</sup>
ADD91V4010000000	230V AC	1.4	1	10	SANTOPRENE	1	2.33	0.01
ADD9003010000000	230V AC	3	1	10	SANTOPRENE	1	2.33	0.01

# SIMPOOL TIMER

## CONTEXT OF USE:

- For private pools with a volume up to 200 cu. m, for timed dosing of chlorine or other liquid disinfectants with built-in timer

## DESCRIPTION:

- Digital peristaltic pump with in-built timer for dosing chemicals for pools, with daily and weekly programmable dosing.
- Ideal for the dosing of chlorine, hydrogen peroxide, flocculant and anti-algae.
- Inhibit input to allow the dosing (which can be deactivated if required)
- The pump comes with kit and accessories for a correct installation (collar excluded). Technical

## FEATURES:

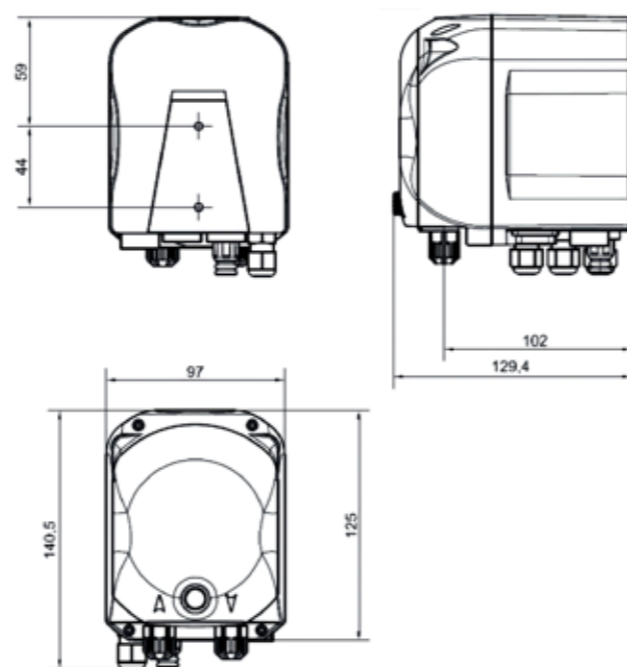
- Power supply: standard 230 VAC
- Absorption: 15 WATT (max)
- Level inputs: standard
- INHIBIT inputs: 230 VAC to activate and allow the dosing (circulation pump)
- Switch: on/off/prime

## STANDARDS:

- No. 2004/108/CE EMC directive
- No. 2006/95/CE "DBT low voltage directive"
- No. 2011/65/UE, 2002/96/CE "RoHS and WEEE directives"

## PACKAGE SIZE: (LXHXW)

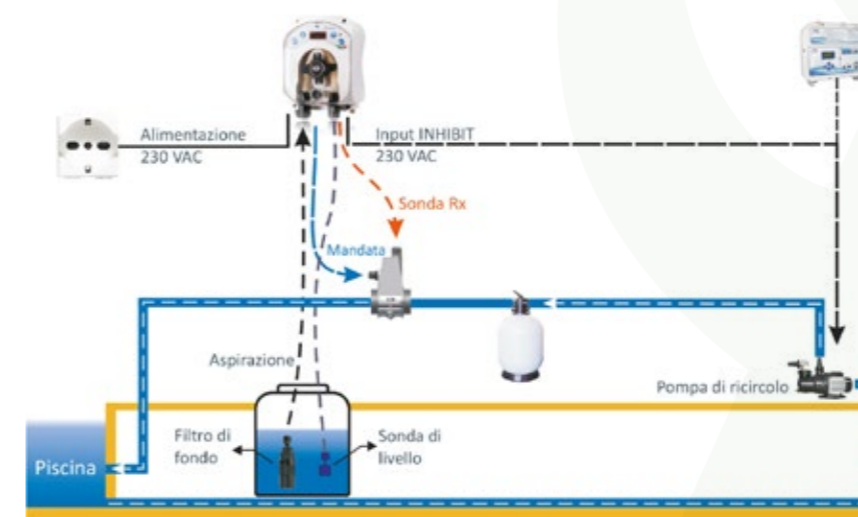
250x145x265 mm



## INSTALLATION KIT

	Wall fixing bracket ADSP8000025		Foot filter 4x6 ADSP6000001
	Tubo in PVC Ø4x6, 4m ADSP6000551		G1/2" Duckbill injection valve ADSP6000049
	Wall plugs and screws ADSP6000041		

## INSTALLATION EXAMPLE



CODE	POWER	FLOW RATE	PRESSURE	WATT	PIPE	PACKING	WEIGHT	VOLUME
		l/h	bar				kg	m <sup>3</sup>
ADD81V40100C0000	230V AC	1.4	1	10	SANTOPRENE	1	2.33	0.01
ADD80030100C0000	230V AC	3	1	10	SANTOPRENE	1	2.33	0.01

## SIMPOOL PH

### CONTEXT OF USE:

- For private pools up to 200 cu. m for dosing the acid or alkaline corrector with the built-in pH tool.

### DESCRIPTION:

- Digital peristaltic pump with built-in pH instrument

- Easy, precise and flexible use.

- Digital display switched on even without circulation flow, flow presence/absence control through a connection to the recirculation pump (Inhibit).

- Level probe compatible.

- The kit includes: pH electrode, 4 m suction/injection pipe, 2 pH buffer solutions to calibrate the electrode, wall fixing bracket and dowels, 2in1 electrode holder ADPSTC collar and product injection suitable for DN50-63 ADPSTC pipes, foot filter.

- Upon request, the temperature-reading compatible version is available (temperature probe not included).

### TECHNICAL FEATURES:

- Power supply: standard 230 VAC - 15 WATT (max)

- Level inputs: standard

- INHIBIT inputs: 230 VAC to activate and allow the dosing (circulation pump)

- Switch: on/off/prime

### LIGHT MODEL

- Range 0-14 pH (Adjustable range alarm)

- Pause mode

### PRO MODEL

- Reduced Range 5-9pH (specific for Swimming Pool use)

- Temperature probe connection\*

- Range/Maintenance/ OFA/Temperature alarm

- Statistics: Average pH measurement

- Buzzer

### STANDARDS:

- No. 2004/108/CE EMC directive

- No. 2006/95/CE "DBT low voltage directive"

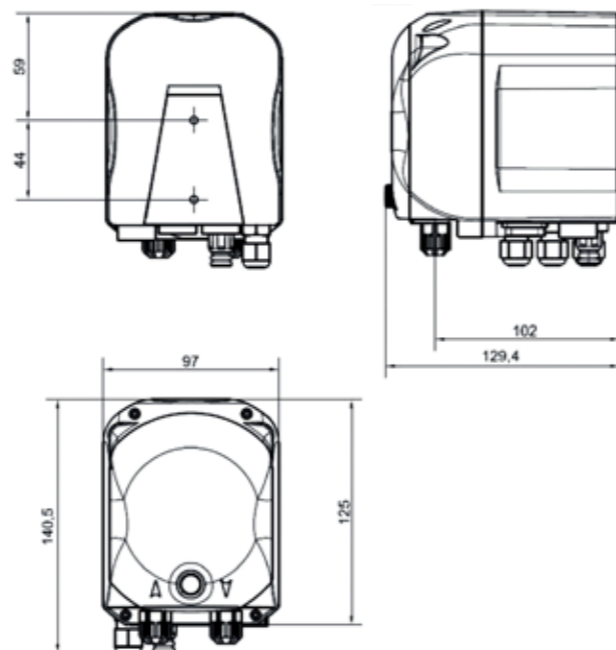
- No. 2011/65/UE, 2002/96/CE "RoHS and WEEE directives"

### PACKAGE SIZE: (LXHXW)

250x145x265 mm



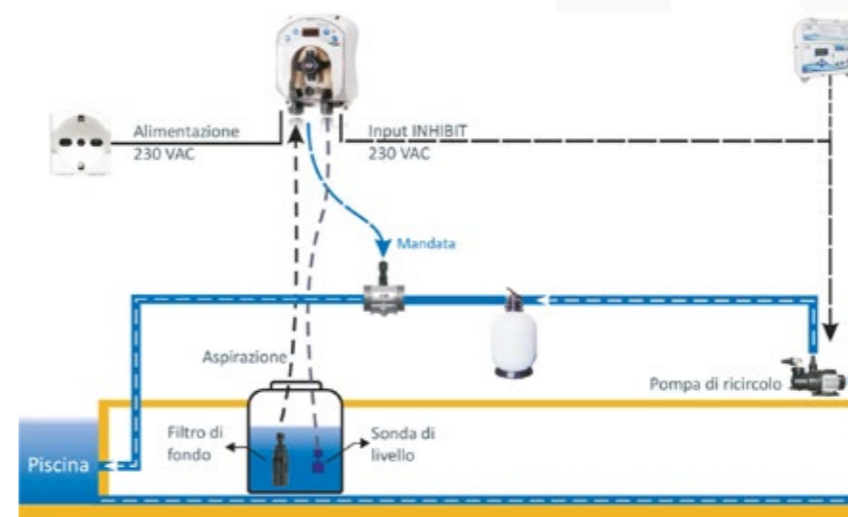
+(Ph kit)



### INSTALLATION KIT

	2 in1 injection probe holder ADPSTC		Foot filter 4x6 ADSP6000001
	pH electrode with 5m cable ADELTPH05		Drilling tip cone Ø24 ADSP6000593
	Tubo in PVC Ø4x6, 4m ADSP6000551		pH4 and pH7 buffer solutions ADSPH4 - ADSPH7
	Wall fixing bracket ADSP8000025		Empty bottle to wash the pH probe ADSP4000020
	Wall plugs and screws ADSP6000041		

### INSTALLATION EXAMPLE



CODE	MODEL	POWER	FLOW RATE	PRESSURE	WATT	PIPE	PACKING	WEIGHT	VOLUME
			l/h	bar				kg	m <sup>3</sup>
ADS11401000A00W	SIMPOOL pH	230V AC	1.4	1	15	SANTOPRENE	1	2.33	0.01
ADS00301000A000	SIMPOOL pH	230V AC	3	1	15	SANTOPRENE	1	2.33	0.01
ADD31V401000A000	SIMPOOL PRO pH-Temp*	230V AC	1.4	1	15	SANTOPRENE	1	2.33	0.01
ADD300301000A000	SIMPOOL PRO pH-Temp*	230V AC	3	1	15	SANTOPRENE	1	2.33	0.01

# SIMPOOL RX

## CONTEXT OF USE:

- For private pools with a volume up to 200 cu. m, for timed dosing of chlorine or other liquid disinfectants depending on the Rx potential read through the built-in tool.

## DESCRIPTION:

- Digital peristaltic pump with built-in Rx instrument
- Ideal for the proportional dosing of chlorine and other disinfectants for the pool.
- Easy, precise and flexible use.
- Digital display switched on even without circulation flow, flow presence/absence control through a connection to the recirculation pump (Inhibit).
- Level probe compatible.
- The kit includes: Rx electrode, 4 m suction/injection pipe, 1 mV buffer solution to calibrate the electrode, wall fixing bracket and dowels, 2in1 electrode holder collar and product injection suitable for DN50-63 ADPSTC pipes, foot filter.

## TECHNICAL FEATURES:

- Power supply: standard 230 VAC - 15 WATT (max)
- Level inputs: standard
- INHIBIT inputs: 230 VAC to activate and allow the dosing (circulation pump)
- Switch: on/off/prime
- Probe type: Rx electrode

## LIGHT MODEL

- Range 0-999 mV (Adjustable range alarm)
- Pause mode

## PRO MODEL

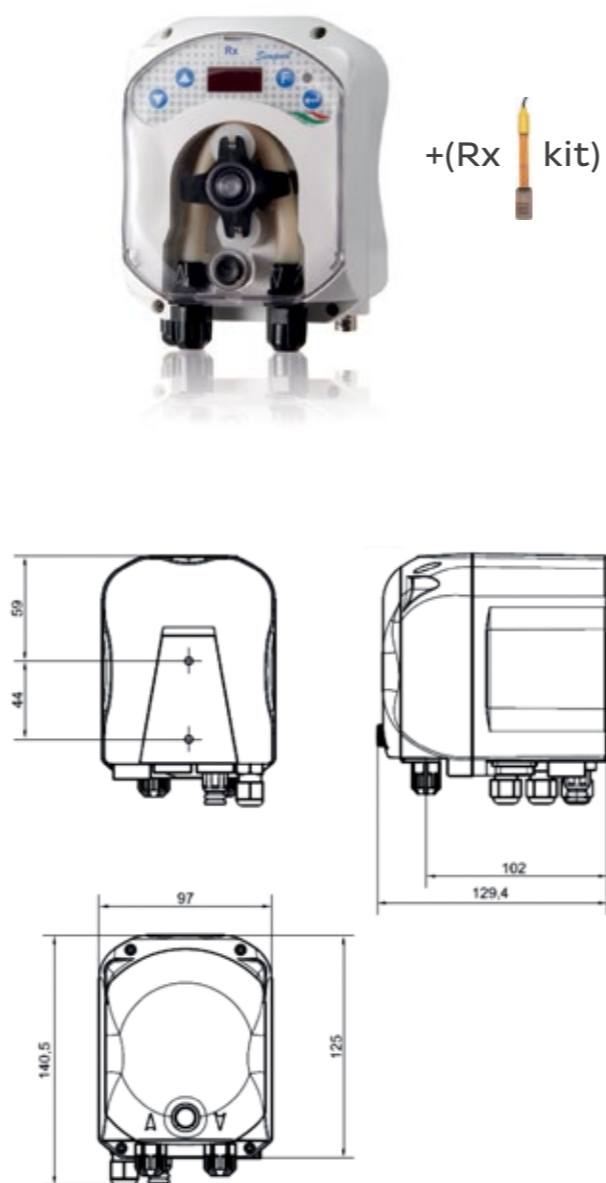
- Reduced Range 500-900 mV (specific for Swimming Pool use)
- Range/Maintenance/ OFA/ alarm
- Statistics: Average mV measurement
- Buzzer

## STANDARDS:

- No. 2004/108/CE EMC directive
- No. 2006/95/CE "DBT low voltage directive"
- No. 2011/65/UE, 2002/96/CE "RoHS and WEEE directives"

## PACKAGE SIZE: (LXHXW)

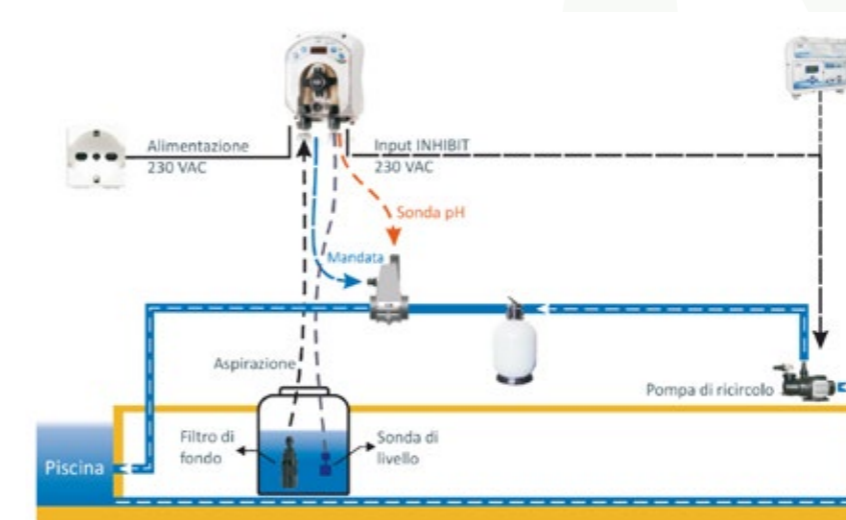
250x145x265 mm



## INSTALLATION KIT

	2 in1 injection probe holder ADPSTC		Foot filter 4x6 ADSP6000001
	Rx electrode with 5m cable ADELTRX05		Drilling tip cone Ø24 ADSP6000593
	Tubo in PVC Ø4x6, 4m ADSP6000551		mV 475 buffer solution ADSRX
	Wall fixing bracket ADSP8000025		Wall plugs and screws ADSP6000041

## INSTALLATION EXAMPLE



CODE	MODEL	POWER	FLOW RATE	PRESSURE	WATT	PIPE	PACKING	WEIGHT	VOLUME
			l/h	bar				kg	m <sup>3</sup>
ADS21V401000A000	SIMPOOL LIGHT Rx	230V AC	1.4	1	15	SANTOPRENE	1	2.33	0.01
ADS200301000A000	SIMPOOL LIGHT Rx	230V AC	3	1	15	SANTOPRENE	1	2.33	0.01
ADD21V401000A000	SIMPOOL PRO Rx	230V AC	1.4	1	15	SANTOPRENE	1	2.33	0.01
ADD200301000A000	SIMPOOL PRO Rx	230V AC	3	1	15	SANTOPRENE	1	2.33	0.01

# TECHNOPOOL TT

## CONTEXT OF USE:

- For the dosing of active oxygen and disinfectants in private pools.

## DESCRIPTION:

- Peristaltic pump with built-in timer and temperature control (probe included) for the proportional dosing of active oxygen and disinfectants, with installation kit and equipment.
- The dosing frequency can be set on 1 hour - 24 hours / 1 day - 7 days
- High flow rate PT100 temperature probe included
- Proportionality range 22 - 28 °C
- Operating range 5 - 32 °C
- Power supply 220-230V - 50/60 Hz.
- The kit includes:
  - Suction/injection pipe
  - Wall fixing bracket and dowels
  - Temperature probe
  - 2in1 electrode holder with built-in injection valve

- Suitable for DN50-63 pipes

## STANDARDS:

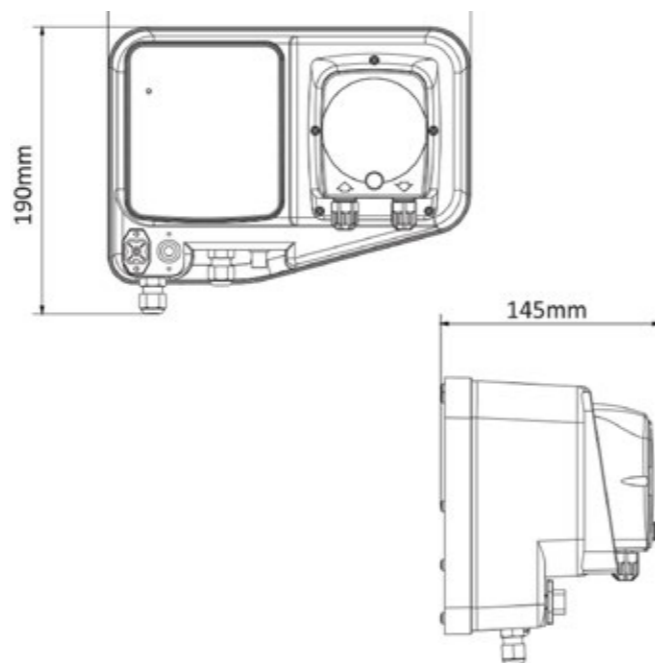
- No. 2004/108/CE EMC directive
- No. 2006/95/CE "DBT low voltage directive"
- No. 2011/65/UE, 2002/96/CE "RoHS and WEEE directives"

## PACKAGE SIZE: (LXHXW)

350x160x300 mm



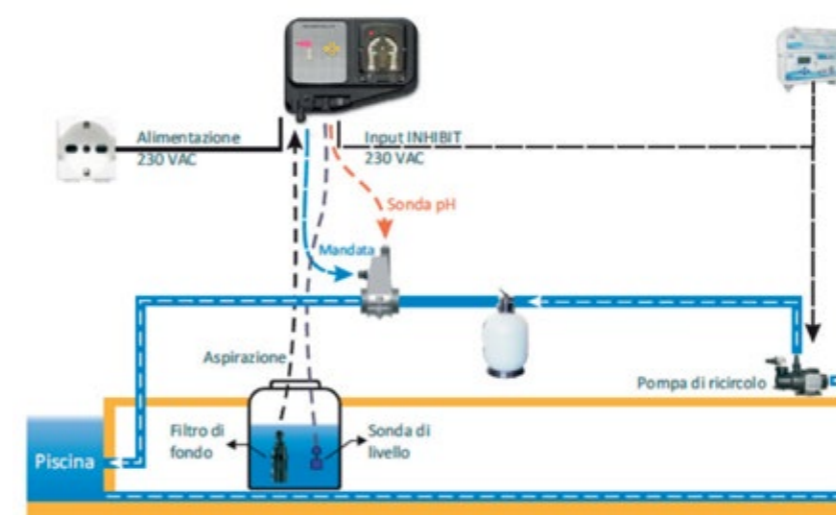
+(°C kit)



## INSTALLATION KIT

	2 in1 injection probe holder ADPSTC		Foot filter 4x6 ADSP6000001
	PT100 Temp. probe ADSTS100N		Drilling tip cone Ø24 ADSP6000593
	Tubo in PVC Ø4x6, 4m ADSP6000551		Wall plugs and screws ADSP6000041
	Wall fixing bracket ADSP6020156		

## INSTALLATION EXAMPLE



CODE	FLOW RATE	PRESSURE	WATT	PIPE	PACKING	WEIGHT	VOLUME
	l/h	bar				kg	m <sup>3</sup>
AD0TT1401000A100	1.4	1	8	4 x 6	1	2.8	0.016
AD0TT0301000A100	3	1	8	4 x 6	1	2.8	0.016

# TECHNOPOOL 2 PH-RX

## CONTEXT OF USE:

- For private pools with double built-in pH and Rx tool, suitable for the dosing of acid/alkaline correctors depending on the pH reading, and for the dosing of chlorine or other disinfectants depending on the Rx potential reading.

## DESCRIPTION:

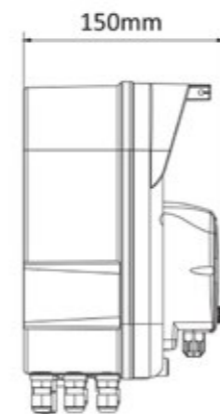
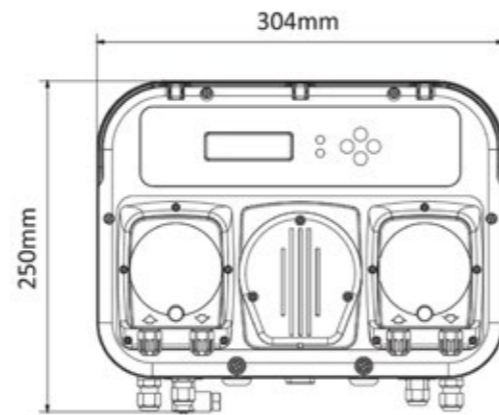
- Double peristaltic pump with pH and Rx built-in instrument to measure and adjust pH and Redox potential.
- Proportional dosing.
- Display with digital controls
- Measurement range 5-9 pH, 0-999 mV
- Acoustic alarms
- Protection password
- Power supply 220-230V 50/60Hz.
- With installation kit and equipment consists of:
  - Suction/injection pipe, buffer solutions
  - Wall fixing bracket and dowels pH and Rx electrodes
  - N°2 2-1 Probe Holder with Injection valve for tube DN50-63
  - Injection valves
  - Foot filters. (2x)
- Compatible with:
  - Level probes
  - Flow and temperature probe

## STANDARDS:

- No. 2004/108/CE EMC directive
- No. 2006/95/CE "DBT low voltage directive"
- No. 2011/65/UE, 2002/96/CE "RoHS and WEEE directives"

## PACKAGE SIZE: (LXHXW)

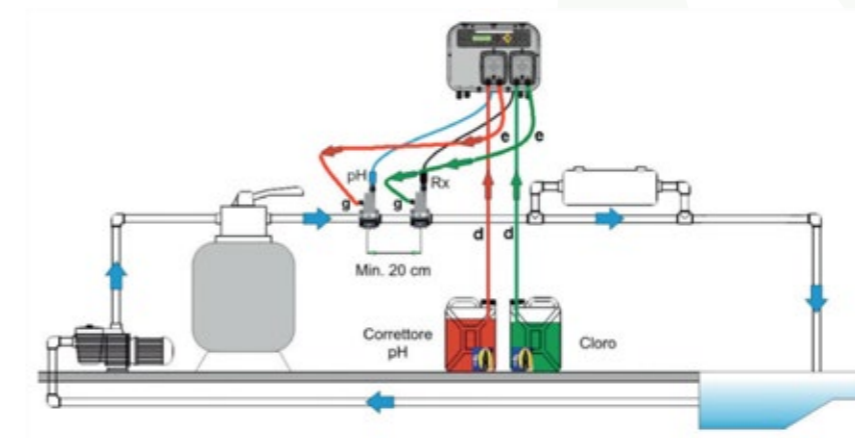
390x445x165 mm



## INSTALLATION KIT

	2 in 1 injection probe holder ADPSTC		Foot filter 4x6 ADSP6000001
	pH electrode with 5m cable ADELTPH05		Drilling tip cone Ø24 ADSP6000593
	Rx electrode with 5m cable ADELTRX05		pH4 and pH7 buffer solutions ADSPH4 - ADSPH7
	Tubo in PVC Ø4x6, 4m ADSP6000551		mV 475 buffer solution ADSRX
	Wall fixing bracket ADSP6020156		Wall plugs and screws ADSP6000041

## INSTALLATION EXAMPLE



CODE	FLOW RATE	PRESSURE	WATT	PIPE	PACKING	WEIGHT	VOLUME
	l/h	bar				kg	m <sup>3</sup>
AD0T00G0G000A100	1.4 / 1.4	1	12	4 x 6	1	4.1	0.026
AD0T00G0T000A100	1.4 / 3	1	12	4 x 6	1	4.1	0.026

# TECHNOPOOL 3

## CONTEXT OF USE:

- For private pools with multifunctional built-in tool: pH, Temperature and Rx (upon request).
- Suitable for the dosing of acid/alkaline corrector depending on the pH reading, and for the timed dosing of the disinfectant (like Hydrogen peroxide) depending on water temperature. Also available with the built-in Rx potential reading tool, for a proportional dosing of chlorine.

## DESCRIPTION:

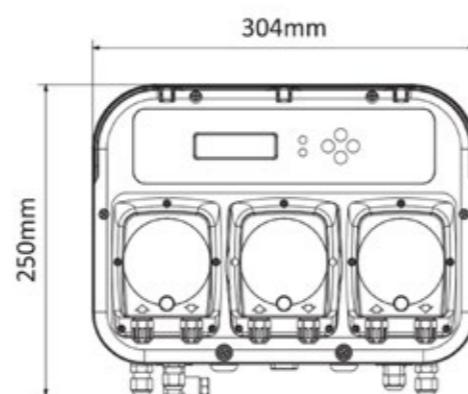
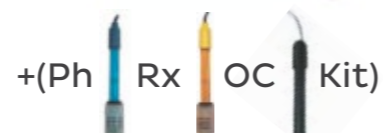
- Triple peristaltic pump with built-in timer and pH, Temperature and Redox instruments (T-pH-Rx model only).
- Acid/Alkaline corrector proportional dosing
- Timed dosing of 1-2 disinfectant products whose quantity is compensated depending on the temperature
- Disinfectant dosing proportioned to the Redox potential (T-pH-Rx model only)
- Display with digital controls.
- Acoustic alarms
- Protection password
- Level probes compatible
- Flow sensor
- Connection to the recirculation pump to allow the dosing (V1)
- Measurement range 5-9 pH, 0-999 mV.
- Power supply 220-230V 50/60Hz
- With kit and equipment for a correct installation consists of:
  - Suction/injection pipe
  - Wall fixing bracket and dowels
  - pH, temperature and Rx electrodes (Rx model only)
  - Buffer solutions
  - Probe holder collars
  - Injection valves
  - Foot filters.

## STANDARDS:

- No. 2004/108/CE EMC directive
- No. 2006/95/CE "DBT low voltage directive"
- No. 2011/65/UE, 2002/96/CE "RoHS and WEEE directives"

## PACKAGE SIZE: (LXHxW)

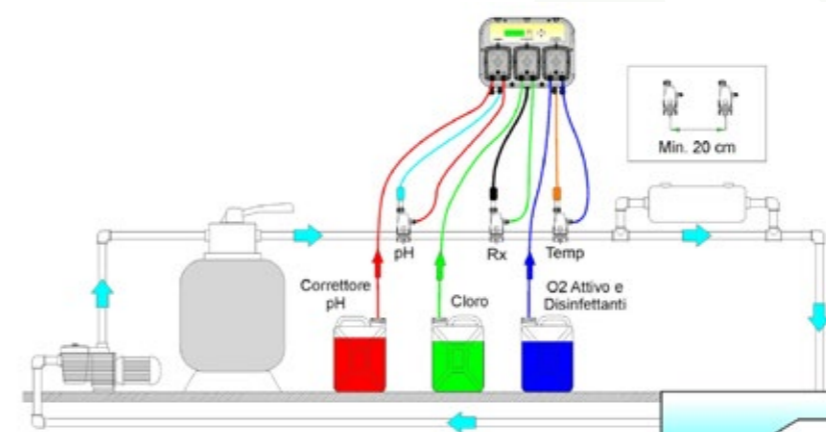
390x445x165 mm



## INSTALLATION KIT

	2 in 1 injection probe holder ADPSTC		Foot filter 4x6 ADSP6000001
	PT100 Temp. probe ADSTS100N		Drilling tip cone Ø24 ADSP6000593
	Rx electrode pH electrode with 5m cable ADELTPH05 ADELTRX05		pH4 and pH7 buffer solutions ADSPH4 - ADSPH7
	Tubo in PVC Ø4x6, 4m ADSP6000551		mV 475 buffer solution ADSRX
	Wall fixing bracket ADSP6020156		Wall plugs and screws ADSP6000041

## INSTALLATION EXAMPLE



CODE	MODEL	PROBES	FLOW RATE	PRESSURE	WATT	PIPE	PACKING	WEIGHT	VOLUME
			l/h	bar				kg	m <sup>3</sup>
AD5000G0G000A100	T-PH-T	TEMP. - pH	1.4 - 1.4 - 1.4	1 - 1 - 1	25	4 x 6	1	4.33	0.028
AD4600G0G000A100	T-PH-RX	TEMP. - pH - Rx	1.4 - 1.4 - 1.4	1 - 1 - 1	25	4 x 6	1	4.33	0.028



## HEAD OFFICE

**I** **AQUA S.p.A.**  
42018 San Martino in Rio, Reggio Emilia - Italy - Via Crotti, 1  
P +39 0522 695805/85 - F +39 0522 646160  
aqua@aqua.it | www.aqua.it

AQUA S.p.A. - Pool Division  
46043 Castiglione d. Stiviere, Mantova - Italy  
P +39 0376 671973 - F +39 0376 940139  
infopools@aqua.it | www.aqua.it

## BRANCHES

**UK** **AQUA WATER SYSTEMS LTD**  
Unit 135 Oak Drive Hartlebury Trading Estate,  
Worcestershire, DY10 4JB  
P +44 (0)1299 251050 - F +44 (0)1299 253704  
sales@askaqua.co.uk | www.askaqua.co.uk

**E** **AQUA FILTRACION S.A.**  
Pol. Ind. Castellbisbal Sud 08755  
Castellbisbal, Barcellona  
P +34 (0)93 7711855 - F +34 (0)93 7711772  
info@aqua.es | www.aqua.es

**TR** **AQUA SU ARITIMI SAN. VE MUH. TIC. LTD. STI.**  
Ferhatpasa Mahallesi Maresal Fevzi Cakmak  
Cad. - No:45 Pk.34888 Atasehir / Istanbul - Turkey  
P +90 216 661 60 60 - F +90 216 661 68 50  
info@aqua.com.tr | www.aqua.com.tr

**UAE** **AQUA MIDDLE EAST FZC**  
1J-07/4 and 1J-07/3 - Hamriyah Free Zone  
P.O.Box 42585 Sharjah - United Arab Emirates  
Tel No. +971 6 526 0563 - Fa x No. +971 6 526 0564  
contact@aqua-me.ae | www.aqua-me.ae

**IND** **AQUA WATER SYSTEMS INDIA PVT LTD**  
4A/4B/4C-, Puttappa Industrial Estate Mahadevapura  
Post, White Field Road, Bangalore 560 048  
P 0091 80 4152 1313 - F 0091 80 4152 1414  
contact@aquaindia.in - sales@aquaindia.in | www.aquaindia.in

**RUS** **"AQUA GROUP RUS"**  
Juridical Address : 107014, Egerskaya str., 1, Moscow, Russia  
Residence Address: 127081, Chermianskaya str, 3, Moscow, Russia  
Phone-Fax: +7 495 6458078, +7 495 969 2413  
mail@aqua-italy.ru | www.aqua-italy.ru - www.aqua.it

