

Your global partner in
high quality and strong
innovation since 1974

SOLENOID DRIVEN DOSING PUMPS



SOLENOID DRIVEN DOSING PUMPS



HC 150 IMPROVED RANGE

CONTEXT OF USE:

- Constant flow rate dosing pump with pulse frequency regulation. Easy to set, with a single adjustment potentiometer and a LED.
- Upon request PI version to be used with water meter for proportional dosing of anti-mycosis
- Low level probe facility

TECHNICAL FEATURES:

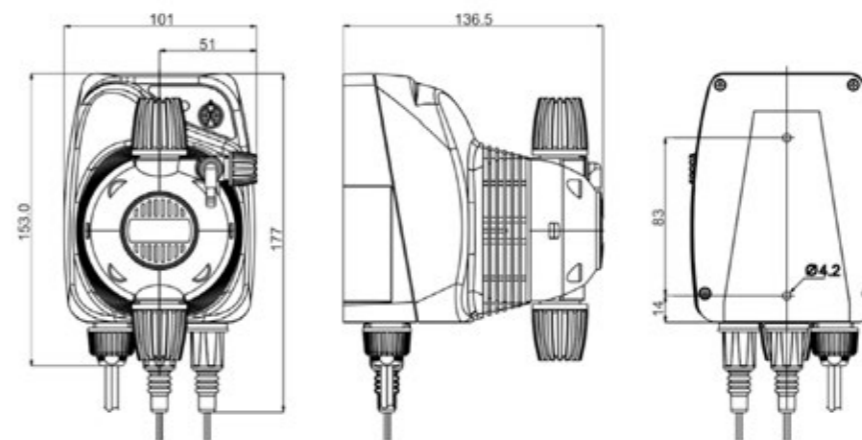
	STANDARD VERSION	UPON REQUEST
Pump body	PP	PVDF
Diaphragm	PTFE	-
Balls	PYREX	PTFE; ceramic
Body valve	PP	PVDF
O-rings	Viton®	Dutral®
Spring loaded injection valve	Hastelloy/Pyrex	Hastelloy - ceramic
Injection fitting	PP	PVDF
Foot valve	PP	PVDF
Power supply	230v	110v (Some models)

STANDARDS:







- No. 2004/108/CE EMC directive
- No. 2006/95/CE "DBT low voltage directive"
- No. 2011/65/UE, 2002/96/CE "RoHS and WEEE directives"

PACKAGE SIZE: (LXHXW)

192x160x250 mm



INSTALLATION KIT

	Wall fixing bracket ADSP6020221	 x2	PVC crystal Pipe (2m) ADSP6000546
	PE injection pipe (2 m) ADSP6000078		Foot filter 4x6 ADSP6000001
	Wall plugs and screws ADSP6000041		PP injection valve M 12 Gas ADSP6200007

CODE	PI version	FLOW RATE	PRES-SURE	STROKES	STROKE VOLUME	CON-SUMP-TION	TUBE	PUMP HEAD	PACK-ING	WEIGHT	VOLUME
		l/h	bar	BPM/SPM	ml/colpo	WATT				kg	m ³
AD9500000000	AD9570000000	1.5	5	100	0.25	14	4 x 6	PP ½"	1	2.33	0.007
		2	3		0.33						
		3	1		0.50						
AD95001000000	AD95701000000	2	8	120	0.28	14	4 x 6	PP ½"	1	2.33	0.007
		5	5		0.69						
		7	2		0.97						
AD95011000000	AD95711000000	7	4	150	0.78	14	4 x 6	PP ½"	1	2.33	0.007
		8	2		0.89						
		10	0		1.11						
AD95002000000	AD95702000000	3	12	120	0.42	16	4 x 6	PP ½"	1	2.33	0.007
		4	10		0.56						
		5	8		0.69						
AD95013000000	AD95713000000	10	4	180	0.93	16	4 x 6	PP ½"	1	2.33	0.007
		12	2		1.11						
		14	0		1.30						
AD95014000000	AD95714000000	2	20	75	0.44	16	4 x 6	PP ½"	1	2.33	0.007
		2.5	18		0.56						
		3	15		0.67						

HC 151 PH **NEW**

CONTEXT OF USE:

- For private pools, to dose the acid/alkaline corrector with the built-in pH reading tool.

DESCRIPTION:

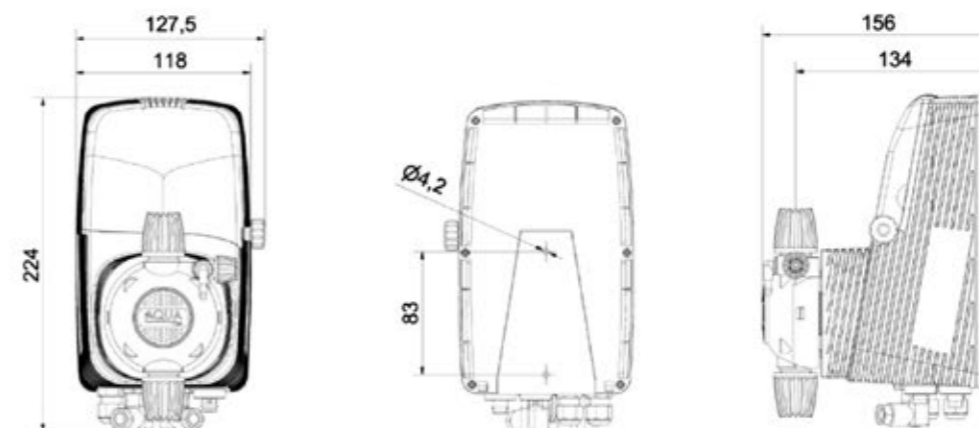
- Electromagnetic pump with built-in pH tool for a proportional dosing of acid/alkaline products, with installation kit and equipment.
- Dosing mode selectable in constant or proportional mode.
- Reinforced PP housing, suitable for aggressive working environments
- Input: level probe, inhibit, standby, flow sensor, injection
- Output: alarm or dosing relay
- Statistics
- Password
- Language and Unit measure selectable
- Calibration flow-rate
- Simplified setting by user menu
- Alphanumeric display, 2 lines 16 characters, to simplify pump managing, during the working mode and during the programming
- Power supply 230 Vac. Upon request: 110V;
- IP65 protection degree;
- Wall mounting bracket supplied in installation kit;
- Manual bleed valve (priming);
- Upon request PI-mA version available.

WORKING MODE:

- Constant flow-rate On/Off mode (flow rate in %)
- Self-calibration of measure probe;
- Proportional dosing to the selected setpoint value;
- Selectable Alarms: Level (with "reserve", early warning), Flow (flow sensor input), Strokes (max number of strokes), OFA (Over Feed Alarm), RANGE.
- The kit contains:
 - Suction/injection pipe;
 - 2 pH buffer solutions to calibrate the electrode;
 - Wall fixing bracket and dowels;
 - Probe holder G $\frac{1}{2}$ ";
 - pH electrode;
 - Foot filter and injection valve.



+(Ph kit)



TECHNICAL FEATURES:

	STANDARD VERSION	UPON REQUEST
Pump body	PP	PVDF/PVC auto. bleeding
Pump housing Dia-phragm	PP	-
Balls	PTFE	-
Body valve O-rings	PYREX	PTFE; ceramic
Injection ball valve (Spring)	PP	PVDF
Injection fitting	Viton®	Dutral®
Foot valve	Hastelloy/Pyrex	Hastelloy - ceramic
Power supply	PP	PVDF
Power supply	PP	PVDF
Power supply	230v	110v (Some models)

STANDARDS:

- No. 2004/108/CE EMC directive
- No. 2006/95/CE "DBT low voltage directive"
- No. 2011/65/UE, 2002/96/CE "RoHS and WEEE directives"

PACKAGE SIZE: (LXHXW)
350x160x300 mm

INSTALLATION KIT

	pH electrode with 5m cable ADELTPH05		PP Injection valve M 12 Gas ADSP6200007
	Wall fixing bracket ADSP6020221		pH4 and pH7 buffer solutions ADSPH4 - ADSPH7
	PE injection pipe (2 m) ADSP6000078		Threaded probe holder ADPST1
	x2 PVC crystal Pipe (2m) ADSP6000546		Foot filter 4x6 ADSP6000001
	Wall plugs and screws ADSP6000041		

CODE	FLOW RATE	PRESSURE	STROKES	STROKE VOLUME	CONSUMPTION	TUBE	PUMP HEAD	PACK-ING	WEIGHT	VOLUME
	l/h	bar	BPM/SPM	ml/colpo	WATT				kg	m ³
AD96200004000	2	8	150	0.22	14	4 x 6	PP 1/2"	1	3	0.016
	5	5		0.56						
	7	2		0.78						
AD96203004000	10	4	180	0.93	16	4 x 6	PP 1/2"	1	3	0.016
	12	2		1.11						
	14	0		1.30						
AD96209004000	20	3	300	1.11	22	4 x 6	PP 1/2"	1	3	0.016
	25	2		1.39						
	35	0		1.66						

HC 151 RX **NEW**

CONTEXT OF USE:

- For private pools, to dose chlorine or other disinfectants depending on the Rx potential read with the built-in tool.

DESCRIPTION:

- Electromagnetic pump with built-in Rx tool to dose the chlorine or other disinfectants with installation kit and equipment.
- Multifunction solenoid digital dosing pumps. Dosing mode selectable in constant or proportional mode.
- Reinforced PP housing, suitable for aggressive working environments;
- Input: level probe, inhibit, standby, flow sensor, injection
- Output: alarm or dosing relay;
- Statistics
- Password
- Language and Unit measure selectable
- Calibration flow-rate
- Simplified setting by user menu
- Alphanumeric display, 2 lines 16 characters, to simplify pump managing, during the working mode and during the programming
- Power supply 230 Vac. Upon request: 110V
- IP65 protection degree
- Wall mounting bracket supplied in installation kit
- Manual bleed valve (priming)
- High flow rate
- Measurement range 0-999 mV
- Level probe compatible
- Power supply 220-230V 50/60Hz
- Upon request PI-mA version available.

WORKING MODE:

- Constant flow-rate On/Off mode (flow rate in %)
- Self-calibration of measure probe
- Proportional dosing to the selected setpoint value
- Selectable Alarms: Level (with "reserve", early warning), Flow (flow sensor input), Strokes (max number of strokes), OFA (Over Feed Alarm), RANGE.



- The kit contains
 - Suction/injection pipe;
 - mV buffer solution to calibrate the electrode;
 - Wall fixing bracket and dowels;
 - Probe holder G½"
 - Rx electrode
 - Foot filter and injection valve.

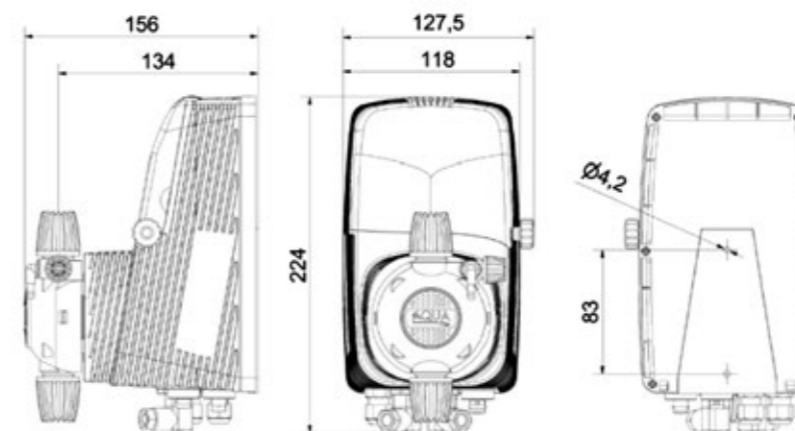
TECHNICAL FEATURES:

	STANDARD VERSION	UPON REQUEST
Pump body	PP	PVDF/PVC auto. bleeding
Pump housing	PP	-
Diaphragm	PTFE	-
Balls	PYREX	PTFE; ceramic
Body valve	PP	PVDF
O-rings	Viton®	Dutral®
Injection ball valve (Spring)	Hastelloy/Pyrex	Hastelloy - ceramic
Injection fitting	PP	PVDF
Foot valve	PP	PVDF
Power supply	230v	110v (Some models)

STANDARDS:

- No. 2004/108/CE EMC directive
- No. 2006/95/CE "DBT low voltage directive"
- No. 2011/65/UE, 2002/96/CE "RoHS and WEEE directives"

PACKAGE SIZE: (LXHxW)
192x160x250 mm



INSTALLATION KIT

	RX electrode with 5m cable ADELTPH05		PP Injection valve M 12 Gas ADSP6200007
	Wall fixing bracket ADSP6020221		mV 475 buffer solution ADSRX
	PE injection pipe (2 m) ADSP6000078		Threaded probe holder ADPST1
	PVC crystal Pipe (2m) ADSP6000546		Foot filter 4x6 ADSP6000001
	Wall plugs and screws ADSP6000041		

CODE	FLOW RATE	PRESSURE	STROKES	STROKE VOLUME	CONSUMPTION	TUBE	PUMP HEAD	PACKING	WEIGHT	VOLUME
	l/h	bar	BPM/SPM	ml/colpo	WATT				kg	m³
AD96200005000	2	8	150	0.22	14	4 x 6	PP ½"	1	2.86	0.007
	5	5		0.56						
	7	2		0.78						
AD96203005000	10	4	180	0.93	16	4 x 6	PP ½"	1	2.86	0.007
	12	2		1.11						
	14	0		1.30						
AD96209005000	20	3	300	1.11	22	4 x 6	PP ½"	1	2.86	0.007
	25	2		1.39						
	35	0		1.66						

HC 897

CONTEXT OF USE:

- Constant flow rate dosing pump with pulse frequency regulation. Easy to set, with a single adjustment potentiometer and a LED. Level probe compatible

DESCRIPTION:

- Analogue electromagnetic constant flow rate dosing pump
- High-strength PBT container, suitable for high temperatures (both places and liquids)
- Level probe input
- Double pulse regulation scale 0-100% or 0-20%
- Power supply: 220VAC – 50/60Hz
- On-Off switch
- IP65 protection
- Analogue interface with one knob and a LED
- Manual priming valve

TECHNICAL FEATURES:

- DOUBLE REGULATION SCALE 0-100% O 0-20% – precise dosing even at low flow rates
- PVDF BODY PUMP – high chemical compatibility
- FIXING BRACKET – to simplify the installation
- PBT CASE – high mechanical resistance – eco-friendly – ergonomic – low flammability
- BUILT-IN PIPE HOLDER – safe and clean installation
- REMOVABLE CONNECTIONS – easy maintenance of the pump

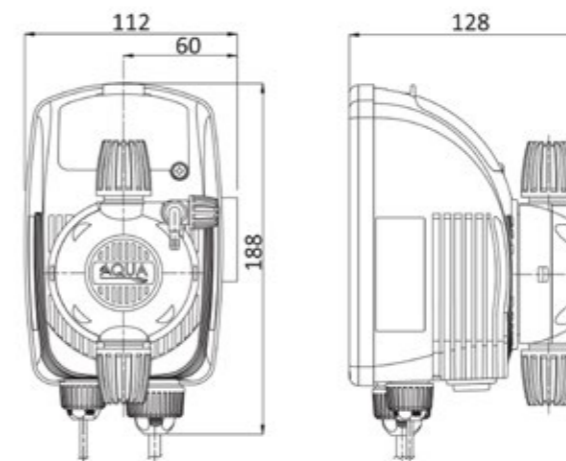


STANDARDS:







- No. 2004/108/CE EMC directive
- No. 2006/95/CE “DBT low voltage directive”
- No. 2011/65/UE, 2002/96/CE “RoHS and WEEE directives”

PACKAGE SIZE: (LXHXW)
192x160x250 mm

	STANDARD VERSION	UPON REQUEST
Pump body	PVCF	-
Diaphragm	PTFE	-
Balls	PTFE	PTFE or ceramic
Body valve	PVDF	-
O-rings	Viton®	Dutral®
Spring loaded injection valve	Hastelloy/P TFE	Hastelloy - ceramic
Injection fitting	PVDF	-
Foot valve	PVDF	-
Power supply	230v	110V



INSTALLATION KIT

	Wall fixing bracket ADSP6020221	 x2	PVC crystal Pipe (2m) ADSP6000546
	Support base ADBAS100		PVDF Foot valve PVDF Injection valve ADSP6000028 ADSP6200031
	PE injection pipe (2 m) ADSP6000078		Wall plugs and screws ADSP6000041

CODE	FLOW RATE	PRESSURE	STROKES	STROKE VOLUME	CONSUMPTION	TUBE	PUMP HEAD	PACKING	WEIGHT	VOLUME
	l/h	bar	BPM/SPM	ml/colpo	WATT				kg	m ³
AD97100010000	2	8	150	0.22	15	4 x 6	PVDF ½"	1	2.86	0.007
	5	5		0.55						
	7	2		0.77						
AD97101010000	7	4	150	0.77	15	4 x 6	PVDF ½"	1	2.86	0.007
	8	2		0.88						
	10	0		1.11						
AD97102010000	3	12	150	0.33	20	4 x 6	PVDF ½"	1	2.86	0.007
	4	10		0.44						
	5	8		0.55						
AD97103010000	10	4	180	0.93	20	4 x 6	PVDF ½"	1	2.86	0.007
	12	2		1.11						
	14	0		1.29						
AD97107010000	2	20	75	0.44	20	4 x 6	PVDF ½"	1	2.86	0.007
	2.5	18		0.55						
	3	15		0.66						

HC997 PI-MA-CLK

CONTEXT OF USE:

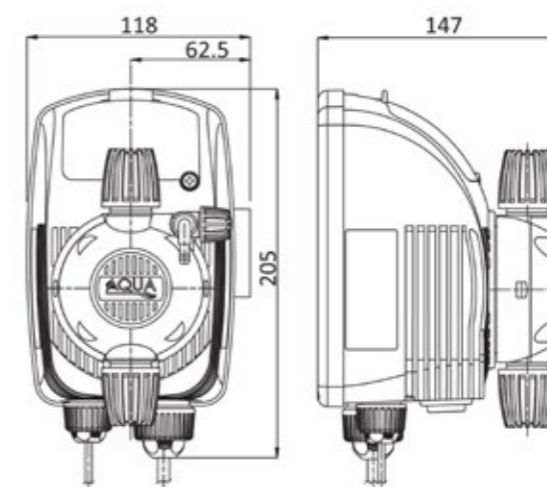
- Multi-function dosing pump. Microprocessor, display and digital control technology. Constant functioning with flow rate regulation in pulse/minute; pulse/hour; pulse/day. Daily/weekly programmable timer.

DESCRIPTION:

- Up to 8 programmes for each day of the week. Power supply 220- 230V 50/60Hz. 110 V 50/60 Hz upon request.
- Level probe compatible. Protection password and dosing statistics control

TECHNICAL FEATURES:

- Proportional 0/4-20mA, Ppm, 1xN, 1:N, 1xN (M) Ist, 1xN (M) Prop. - Constant: Flow rate, Time, Quantity to dose, Cyclic - Timer Mode: Daily and weekly



	STANDARD VERSION	UPON REQUEST
Pump body	PVCF	-
Diaphragm	PTFE	-
Balls	PTFE	PTFE or ceramic
Body valve	PVDF	-
O-rings	Viton®	Dutral®
Spring loaded injection valve	Hastelloy/P TFE	Hastelloy - ceramic
Injection fitting	PVDF	-
Foot valve	PVDF	-
Power supply	230v	110V

STANDARDS:

- No. 2004/108/CE EMC directive
- No. 2006/95/CE "DBT low voltage directive"
- No. 2011/65/UE, 2002/96/CE "RoHS and WEEE directives"

PACKAGE SIZE: (LXHXW)

192x160x250 mm

INSTALLATION KIT

	Wall fixing bracket ADSP6020221	 x2	PVC crystal Pipe (2m) ADSP6000546
	Support base ADBAS100		PVDF Foot valve PVDF Injection valve ADSP6000028 ADSP6200031
	PE injection pipe (2 m) ADSP6000078		Wall plugs and screws ADSP6000041

CODE	FLOW RATE	PRESSURE	STROKES	STROKE VOLUME	CONSUMPTION	TUBE	PUMP HEAD	PACKING	WEIGHT	VOLUME
	l/h	bar	BPM/SPM	ml/colpo	WATT				kg	m ³
AD89000010000	2	8	150	0.22	15	4 x 6	PVDF ½"	1	2.86	0.007
	5	5		0.55						
	7	2		0.77						
AD89001010000	7	4	150	0.77	15	4 x 6	PVDF ½"	1	2.86	0.007
	8	2		0.88						
	10	0		1.11						
AD89002010000	3	12	150	0.33	20	4 x 6	PVDF ½"	1	2.86	0.007
	4	10		0.44						
	5	8		0.55						
AD89003010000	10	4	180	0.93	20	4 x 6	PVDF ½"	1	2.86	0.007
	12	2		1.11						
	14	0		1.29						
AD89007010000	2	20	75	0.44	20	4 x 6	PVDF ½"	1	2.86	0.007
	2.5	18		0.55						
	3	15		0.66						

HC999 PI-MA-CLK

CONTEXT OF USE:

Multifunction HIGH FLOW RATE dosing pump. Microprocessor, display and digital control technology. Constant functioning with flow rate regulation in pulse/minute; pulse/hour; pulse/day. Daily/weekly programmable timer.

DESCRIPTION:

- Up to 8 programmes for each day of the week.
- Power supply 220-230V 50/60Hz. 110 V 50/60 Hz upon request.
- Level probe compatible.
- Protection password and dosing statistics control

TECHNICAL FEATURES:

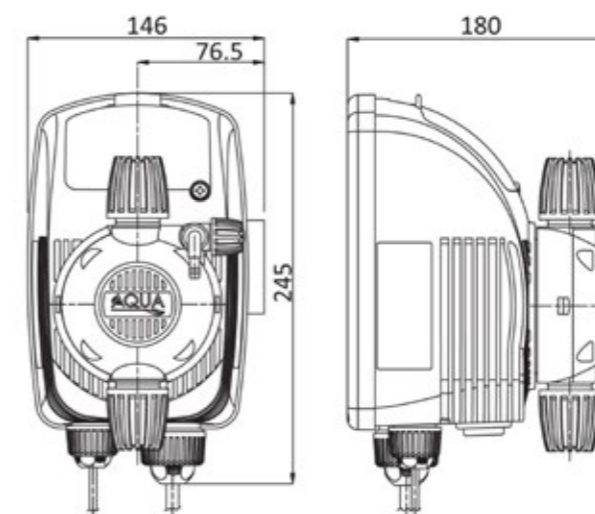
CODE	DESCRIPTION	MOD. 1-2	MOD. 3	MOD. 4
ADSP6000078	PE delivery tube 4x6 (2m)	✓	-	-
ADSP6000546	PVC crystal tube 4x6 (suction + bleed) (2 m)	2x	2x	-
ADSP6000370	PE delivery tube 6x8	-	2m	-
ADSP6000016	PE 10x14 delivery tube	-	-	2m
ADSP6000440	PVC 10x14 suction tube	-	-	2m
ADSP6000001	Foot filter PP 4x6	✓	✓	-
ADSP6000774	PP foot filter 10x14	-	-	✓
ADSP6200007	Injection valve ball 1/2" PP 4x6	✓	-	-
ADSP6200018	Injection valve 1/2" 6x8 Viton®	-	✓	-
ADSP6000051	Injection valve 1/2" 10X14 Viton®	-	-	✓
ADSP6020221	Wall fixing bracket	✓	✓	✓
ADSP6000041	Anchors and screws	✓	✓	✓
ADBAS100	Horizontal mounting bracket	✓	✓	✓

STANDARDS:

- No. 2004/108/CE EMC directive
- No. 2006/95/CE "DBT low voltage directive"
- No. 2011/65/UE, 2002/96/CE "RoHS and WEEE directives"

PACKAGE SIZE: (LXHXW)

350x160x300 mm



INSTALLATION KIT



CODE	MODEL	FLOW RATE	PRES-SURE	STROKES	STROKE VOLUME	CONSUMP-TION	TUBE	PUMP HEAD	PACKING	WEIGHT	VOLUME
		l/h	bar	BPM/SPM	ml/colpo	WATT				kg	m³
AD99101000000	1	10	10	200	0.22	35	4 x 6	PP ½"	1	5.4	0.016
		12	8		0.55						
		14	5		0.77						
AD99102000000	2	4	20	100	0.77	35	4 x 6	PP ½"	1	5.4	0.016
		4.5	18		0.88						
		5	15		1.11						
AD99103000000	3	20	5	150	0.33	35	4 x 6 / 6 x 8	PP ½"	1	5.4	0.016
		25	3		0.44						
		35	1		0.55						
AD991040Y0000	4	35	2	150	0.93	35	10 x 14	PW ½"	1	5.4	0.016
		45	1		1.11						
		50	0.5		1.29						

HC200 PH

CONTEXT OF USE:

- For private pools, to dose the acid/alkaline corrector with the built-in pH reading tool.

DESCRIPTION:

- Electromagnetic pump with built-in pH tool for a proportional dosing of acid/alkaline products.

- High flow rate

- Mechanic run adjustment (volume injection)

- Measurement range 0-14 pH

- Level probe compatible

- Power supply 220-230V 50/60Hz.

The kit contains:

- Suction/injection pipe
- mV buffer solution to calibrate the electrode
- Wall fixing bracket and dowels
- Collar bracket for DN50 pipe and G½" probe holder
- pH electrode
- Foot filter

TECHNICAL FEATURES:

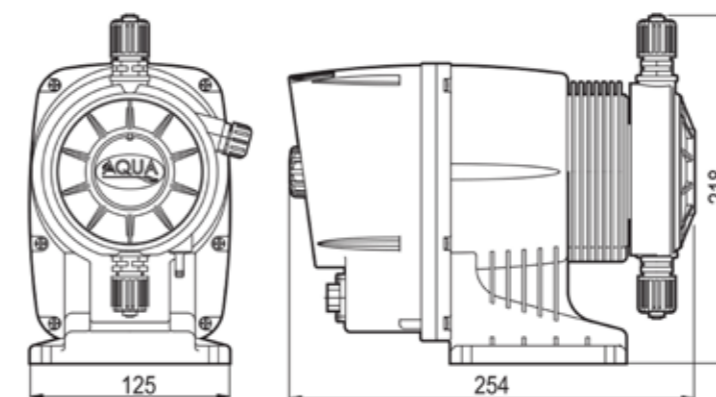
	STANDARD VERSION	UPON REQUEST
Pump body	pp	PVDC, PVC Auto. bleeding
Diaphragm	PTFE	-
Balls	PP	PTFE ; ceramic
Valve fitting	PP	PVDF
O-rings	Viton®	Dutral®
Spring loaded injection valve	Hastelloy	Hastelloy - ceramic
Injection fitting	PP	PVDF
Foot strainer	PP	PVDF
Suction and air bleed pipe	PVC	-
Delivery pipe	PE	-
Power supply	230 V	110 V

STANDARDS:








- No. 2004/108/CE EMC directive
- No. 2006/95/CE "DBT low voltage directive"
- No. 2011/65/UE, 2002/96/CE "RoHS and WEEE directives"

PACKAGE SIZE: (LXHXW)

350x160x300 mm



INSTALLATION KIT

	pH electrode with 5m cable ADELTPH05		Foot filter 4x6 ADSP6000001
	PE injection pipe (2 m) ADSP6000078		PP Injection valve M 12 Gas ADSP6200007
 x2	PVC crystal Pipe (2m) ADSP6000546		Threaded probe holder ADPST1
	pH4 and pH7 buffer solutions ADSPH4 - ADSPH7		

CODE	FLOW RATE	PRESSURE	STROKES	STROKE VOLUME	CONSUMPTION	TUBE	PUMP HEAD	PACKING	WEIGHT	VOLUME
	l/h	bar	BPM/SPM	ml/colpo	WATT				kg	m³
AD2300418000P000	4	18	120	0.55	34	4 x 6	PP ¾"	1	4.75	0.016
	6.8	9		0.94						
	12	1		1.66						
AD2301010000P000	10	10	120	1.38	34	4 x 6	PP ¾"	1	4.75	0.016
	12.6	5		1.75						
	17	1		2.36						
AD2301503000P000	15	3	120	2.08	34	4 x 6	PP ¾"	1	4.75	0.016
	16	1.5		2.22						
	18	1		2.50						

HC200 RX

CONTEXT OF USE:

- For private pools, to dose chlorine or other disinfectants depending on the Rx potential read with the built-in tool.

DESCRIPTION:

- Electromagnetic pump with built-in Rx tool for the proportional dosing of chlorine or other disinfectants, with installation kit and equipment.

- High flow rate

- Mechanic run adjustment (volume injection)

- Measurement range 0-999 mV

- Level probe compatible

- Power supply 220-230V 50/60Hz.

- The kit contains:

- Suction/injection pipe
- MV buffer solution to calibrate the electrode
- Wall fixing bracket and dowels
- Collar bracket for DN50 pipe and G½" probe holder
- Rx electrode
- Foot filter

TECHNICAL FEATURES:

	STANDARD VERSION	UPON REQUEST
Pump body	PP	PVDC, PVC Auto. bleeding
Diaphragm	PTFE	-
Balls	PP	PTFE ; ceramic
Valve fitting	PP	PVDF
O-rings	Viton®	Dutral®
Spring loaded injection valve	Hastelloy	Hastelloy - ceramic
Injection fitting	PP	PVDF
Foot strainer	PP	PVDF
Suction and air bleed pipe	PVC	-
Delivery pipe	PE	-
Power supply	230 V	110 V

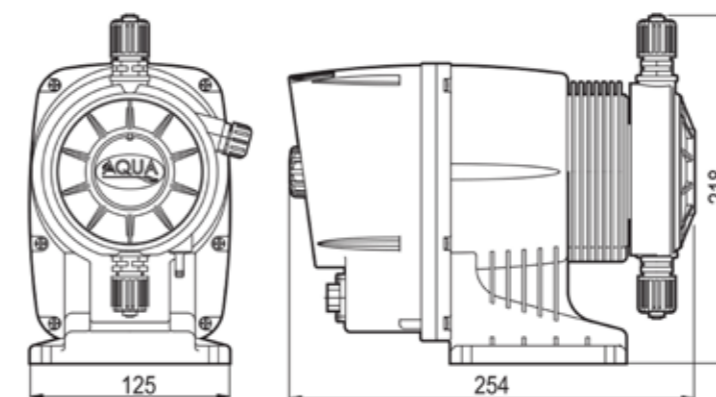


STANDARDS:








- No. 2004/108/CE EMC directive
- No. 2006/95/CE "DBT low voltage directive"
- No. 2011/65/UE, 2002/96/CE "RoHS and WEEE directives"

PACKAGE SIZE: (LXHXW)

350x160x300 mm



INSTALLATION KIT

	Rx electrode with 5m cable ADELTRX05		Foot filter 4x6 ADSP6000001
	PE injection pipe (2 m) ADSP6000078		PP Injection valve M 12 Gas ADSP6200007
 x2	PVC crystal Pipe (2m) ADSP6000546		Threaded probe holder ADPST1
	mV 475 buffer solution ADSRX		

CODE	FLOW RATE	PRESSURE	STROKES	STROKE VOLUME	CONSUMPTION	TUBE	PUMP HEAD	PACKING	WEIGHT	VOLUME
	l/h	bar	BPM/SPM	ml/colpo	WATT				kg	m³
AD2300418000R000	4	18	120	0.55	34	4 x 6	PP ¾"	1	4.75	0.016
	6.8	9		0.94						
	12	1		1.66						
AD2301010000R000	10	10	120	1.38	34	4 x 6	PP ¾"	1	4.75	0.016
	12.6	5		1.75						
	17	1		2.36						
AD2301503000R000	15	3	120	2.08	34	4 x 6	PP ¾"	1	4.75	0.016
	16	1.5		2.22						
	18	1		2.50						

HC201

CONTEXT OF USE:

- For private pools, to dose chemicals by time.

DESCRIPTION:

- Multi-function dosing pump. Mechanic adjustment of each injection. Microprocessor, display and digital control technology.
- Proportional functioning with external digital signal, with input pulses divider and multiplier.
- Proportional functioning with 4-20 mA direct and inverse analogue signal. Constant functioning with flow rate adjustment in pul/minute, min. 1 pulse/10 minutes. Timed functioning with daily/ weekly timer. Level probe compatible (probe and connector not included)
- IP65 protection.

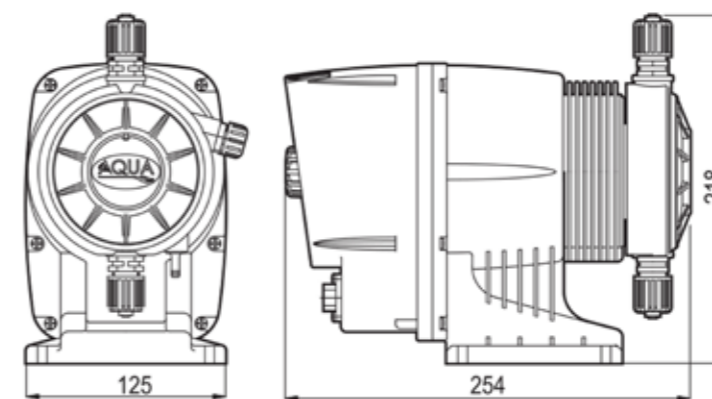
TECHNICAL FEATURES:

	STANDARD VERSION	UPON REQUEST
Pump body	PVDF	PVC Auto. bleeding
Diaphragm	PTFE	-
Balls	PVDF	PTFE ; ceramic
Valve fitting	PVDF	-
O-rings	Viton®	Dutral®
Spring loaded injection valve	Hastelloy	Hastelloy - ceramic
Injection fitting	PVDF	-
Foot strainer	PVDF	-
Suction and air bleed pipe	PVC	-
Delivery pipe	PE	-
Power supply	230 V	110 V

STANDARDS:

- No. 2004/108/CE EMC directive
- No. 2006/95/CE "DBT low voltage directive"
- No. 2011/65/UE, 2002/96/CE "RoHS and WEEE directives"

PACKAGE SIZE: (LXHxW)
355x160x300 mm



INSTALLATION KIT

	PE injection pipe (2 m) ADSP6000078		PVDF Foot valve ADSP6000028
 x2	PVC crystal Pipe (2m) ADSP6000546		PVDF Injection valve ADSP6200031

CODE	FLOW RATE	PRESSURE	STROKES	STROKE VOLUME	CONSUMPTION	TUBE	PUMP HEAD	PACKING	WEIGHT	VOLUME
	l/h	bar	BPM/SPM	ml/colpo	WATT				kg	m ³
AD24004180P04000	4	18	120	0.55	34	4 x 6	PP 3/8"	1	4.75	0.016
	6.8	9		0.94						
	12	1		1.66						
AD24010100P00400	10	10	120	1.38	34	4 x 6	PP 3/8"	1	4.75	0.016
	12.6	5		1.75						
	17	1		2.36						
AD24015030P00400	15	3	120	2.08	34	4 x 6	PP 3/8"	1	4.75	0.016
	16	1.5		2.22						
	18	1		2.50						

HEAD OFFICE

I **AQUA S.p.A.**
42018 San Martino in Rio, Reggio Emilia - Italy - Via Crotti, 1
P +39 0522 695805/85 - F +39 0522 646160
aqua@aqua.it | www.aqua.it

AQUA S.p.A. - Pool Division
46043 Castiglione d. Stiviere, Mantova - Italy
P +39 0376 671973 - F +39 0376 940139
infopools@aqua.it | www.aqua.it

BRANCHES

UK **AQUA WATER SYSTEMS LTD**
Unit 135 Oak Drive Hartlebury Trading Estate,
Worcestershire, DY10 4JB
P +44 (0)1299 251050 - F +44 (0)1299 253704
sales@askaqua.co.uk | www.askaqua.co.uk

E **AQUA FILTRACION S.A.**
Pol. Ind. Castellbisbal Sud 08755
Castellbisbal, Barcellona
P +34 (0)93 7711855 - F +34 (0)93 7711772
info@aqua.es | www.aqua.es

TR **AQUA SU ARITIMI SAN. VE MUH. TIC. LTD. STI.**
Ferhatpasa Mahallesi Maresal Fevzi Cakmak
Cad. - No:45 Pk.34888 Atasehir / Istanbul - Turkey
P +90 216 661 60 60 - F +90 216 661 68 50
info@aqua.com.tr | www.aqua.com.tr

UAE **AQUA MIDDLE EAST FZC**
1J-07/4 and 1J-07/3 - Hamriyah Free Zone
P.O.Box 42585 Sharjah - United Arab Emirates
Tel No. +971 6 526 0563 - Fa x No. +971 6 526 0564
contact@aqua-me.ae | www.aqua-me.ae

IND **AQUA WATER SYSTEMS INDIA PVT LTD**
4A/4B/4C-, Puttappa Industrial Estate Mahadevapura
Post, White Field Road, Bangalore 560 048
P 0091 80 4152 4313 - F 0091 80 4152 1414
contact@aquaindia.in - sales@aquaindia.in | www.aquaindia.in

RUS **"AQUA GROUP RUS"**
Juridical Address : 107014, Egerskaya str., 1, Moscow, Russia
Residence Address: 127081, Chermianskaya str, 3, Moscow, Russia
Phone-Fax: +7 495 6458078, +7 495 969 2413
mail@aqua-italy.ru | www.aqua-italy.ru - www.aqua.it

