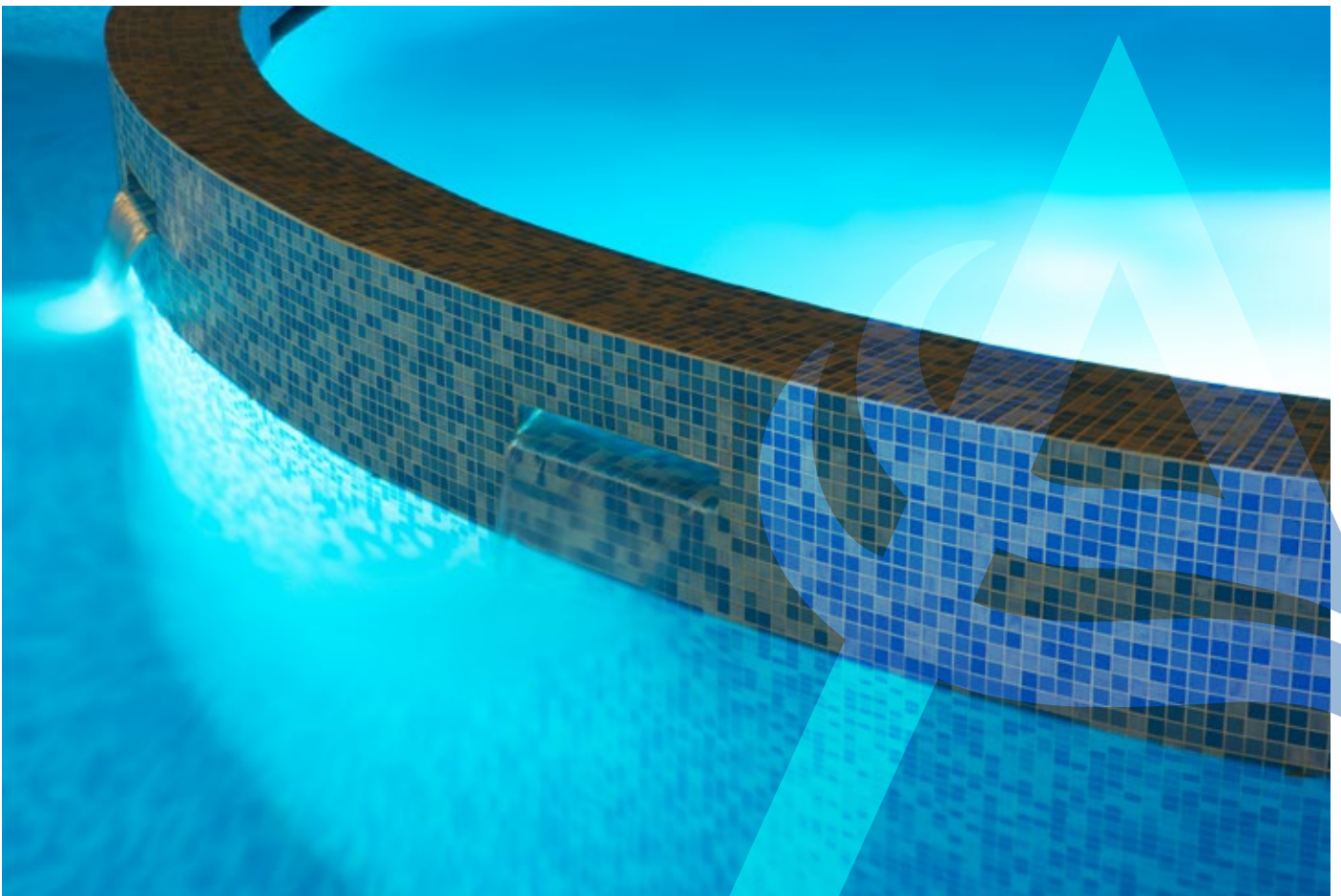




PUMPS & COUNTER CURRENT

Your global partner in
high quality and strong
innovation since 1974

AQUA COMBO FILTRATION SYSTEM

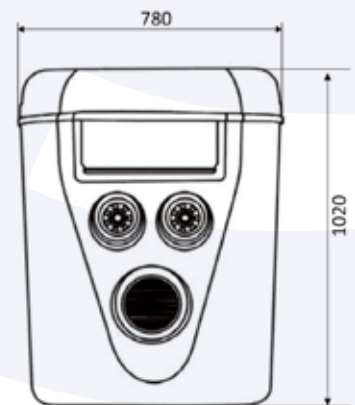
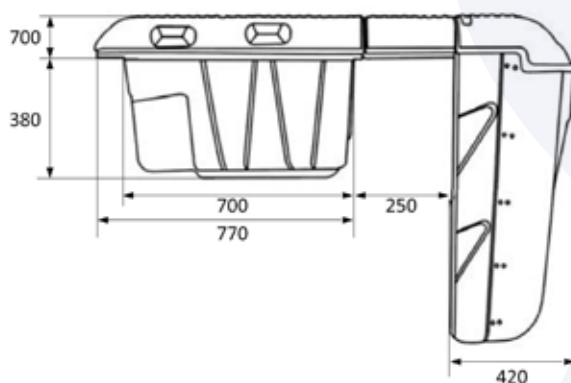
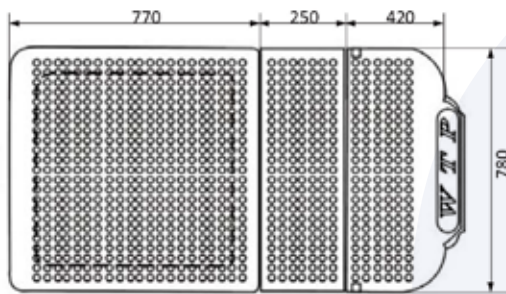


ITALY, GREAT BRITAIN, SPAIN, TURKEY, UAE, INDIA, RUSSIA

DS0001

AQUA COMBO FILTRATION SYSTEM

- Filtration pump: 1»2HP
- Dual»speed pump (1HP»2HP): Optional
- Ozone generator: 500 mg/h
- Swimjet (pc): 2
- Filtration bagsSu (pc): 2
- Chemical feeding basket (pc): 2
- Underwater LED light (pc): 1
- RF waterproof remote control: Optional
- Saltwater pool chlorinator: Optional
- Power consumption: 1.6kw
- Dimensions (mm): 1450x760x1030



| CODE | FILTRATION PUMP | POWER SUPPLY | FLOW | PACKING | WEIGHT | VOLUME |
|-------|-----------------|----------------------|---|---------|--------|----------------|
| | | | (m ³ /h) V=50m ³ /h/m ² | | kg | m ³ |
| AC-26 | 2HP | 220V/50Hz/ 110V/60Hz | 25 | 1 | 57 | 1.13 |