

Your global partner in
high quality and strong
innovation since 1974

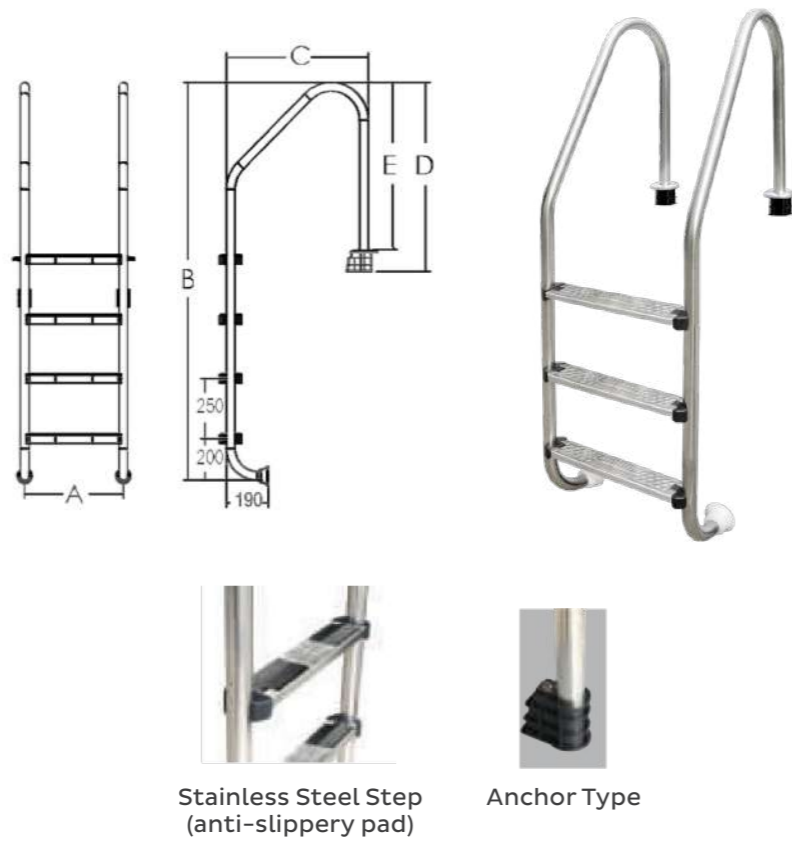
LADDERS



LADDERS

- Made of Ø42 polished stainless steel AISI-316 or AISI-304
- Steps are made of stainless steel and anti slippery
- Complete with anchor fixtures for deck fixing and pads flange fixture for wall fixing

STANDARD LADDER

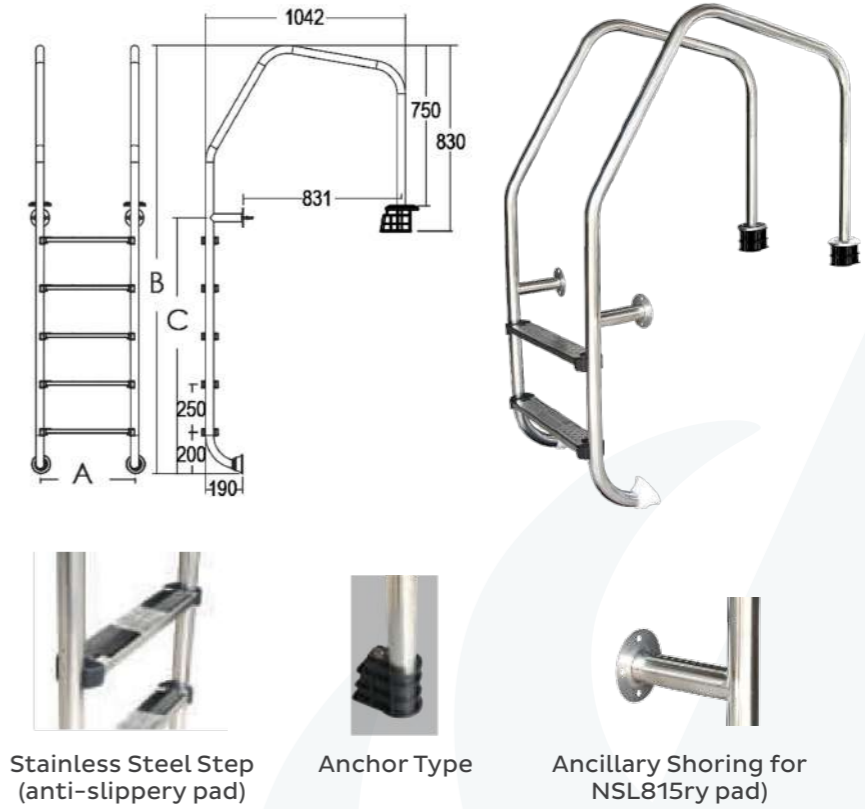


Stainless Steel Step (anti-slippery pad)

Anchor Type

CODE	TREADS	DIMENSIONS					PACKING	WEIGHT	VOLUME	
		A	B	C	D	E				
L-105	L-105-316	2	493	1320	686	788	708	1	10	0.08
L-106	L-106-316	3	493	1570	686	788	708	1	11.5	0.09
L-107	L-107-316	4	493	1820	686	788	708	1	13	0.11
L-108	L-108-316	5	493	2070	686	788	708	1	14.3	0.12

OVERFLOW LADDER



Stainless Steel Step (anti-slippery pad)

Anchor Type

Ancillary Shoring for NSL815ry pad

CODE	TREADS	DIMENSIONS			PACKING	WEIGHT	VOLUME	
		A	B	C				
L-405	L-405-316	2	493	1460	561	1	15	0.218
L-406	L-406-316	3	493	1710	811	1	17.2	0.225
L-407	L-407-316	4	493	1960	1061	1		0.250
L-408	L-408-316	5	493	2210	1311	1		0.282

MURO LADDER

• Composed by lower and upper part with plates, plugs and screws.

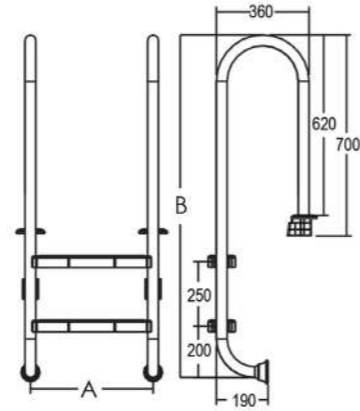
• Made in S.Steel| AISI 316.



Stainless Steel Step
(anti-slippery pad)

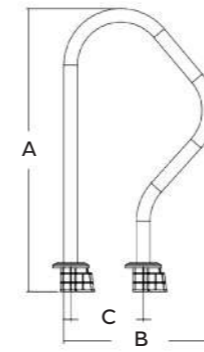


Anchor Type

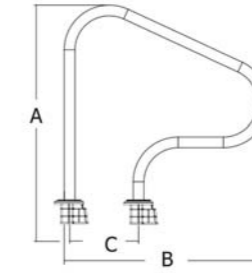


CODE		TREADS	DIMENSIONS		PACKING	WEIGHT	VOLUME
			A	B		kg	m ³
L-205	L-205-316	2	493	1330	1	8	0.045
L-206	L-206-316	3	493	1580	1	9.7	0.055
L-207	L-207-316	4	493	1830	1	11.2	0.061
L-208	L-208-316	5	493	2080	1	13.7	0.101

LADDER UPPER PART



L-505



L-506



CODE		DIMENSIONS			PACKING	WEIGHT	VOLUME
		A	B	C		kg	m ³
L-505	L-505-316	800	470	225	1	7.1	0.063
L-506	L-506-316	800	270	800	1	8.8	0.010

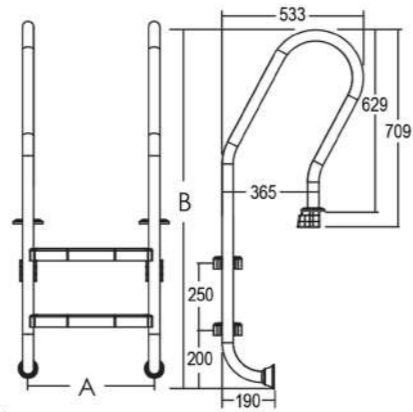
INCLINED LADDER



Stainless Steel Step
(anti-slippery pad)



Anchor Type

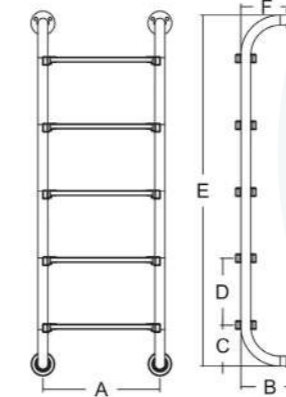


CODE		TREADS	DIMENSIONS		PACKING	WEIGHT	VOLUME
			A	B		kg	m ³
L-305	L-305-316	2	493	1330	1	8.8	0.064
L-306	L-306-316	3	493	1580	1	10.8	0.078
L-307	L-307-316	4	493	1830	1	12.2	0.087
L-308	L-308-316	5	493	2080	1	13.7	0.101

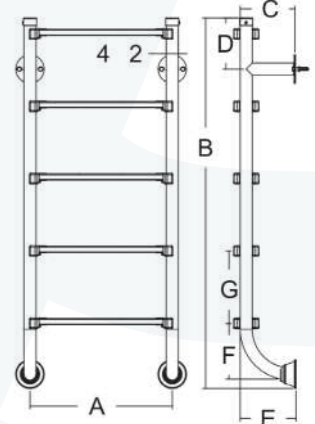
LADDER LOWER PART



L-509/510/511/512



L-513/514/515/516



CODE		TREADS	DIMENSIONS						PACKING	WEIGHT	VOLUME
			A	B	C	D	E	F		kg	m ³
L-509	L-509-316	2	493	222	172	280	632	222	1	0.071	
L-510	L-510-316	3	493	222	172	280	912	222	1	6.3	
L-511	L-511-316	4	493	222	172	280	1192	222	1	7.8	
L-512	L-512-316	5	493	222	172	280	1472	222	1	9.2	
L-513	L-513-316	2	493	530	190	177	190	200	1	12.6	
L-514	L-514-316	3	493	780	190	177	190	200	1	28.5	
L-515	L-515-316	4	493	1030	190	177	190	200	1	35	
L-516	L-516-316	5	493	1280	190	177	190	200	1	24.6	

HEAD OFFICE

I **AQUA S.p.A.**
42018 San Martino in Rio, Reggio Emilia - Italy - Via Crotti, 1
P +39 0522 695805/85 - F +39 0522 646160
aqua@aqua.it | www.aqua.it

AQUA S.p.A. - Pool Division
46043 Castiglione d. Stiviere, Mantova - Italy
P +39 0376 671973 - F +39 0376 940139
infopools@aqua.it | www.aqua.it

BRANCHES

UK **AQUA WATER SYSTEMS LTD**
Unit 135 Oak Drive Hartlebury Trading Estate,
Worcestershire, DY10 4JB
P +44 (0)1299 251050 - F +44 (0)1299 253704
sales@askaqua.co.uk | www.askaqua.co.uk

E **AQUA FILTRACION S.A.**
Pol. Ind. Castellbisbal Sud 08755
Castellbisbal, Barcellona
P +34 (0)93 7711855 - F +34 (0)93 7711772
info@aqua.es | www.aqua.es

TR **AQUA SU ARITIMI SAN. VE MUH. TIC. LTD. STI.**
Ferhatpasa Mahallesi Maresal Fevzi Cakmak
Cad. - No:45 Pk.34888 Atasehir / Istanbul - Turkey
P +90 216 661 60 60 - F +90 216 661 68 50
info@aqua.com.tr | www.aqua.com.tr

UAE **AQUA MIDDLE EAST FZC**
1J-07/4 and 1J-07/3 - Hamriyah Free Zone
P.O.Box 42585 Sharjah - United Arab Emirates
Tel No. +971 6 526 0563 - Fa x No. +971 6 526 0564
contact@aqua-me.ae | www.aqua-me.ae

IND **AQUA WATER SYSTEMS INDIA PVT LTD**
4A/4B/4C-, Puttappa Industrial Estate Mahadevapura
Post, White Field Road, Bangalore 560 048
P 0091 80 4152 1313 - F 0091 80 4152 1414
contact@aquaindia.in - sales@aquaindia.in | www.aquaindia.in

RUS **"AQUA GROUP RUS"**
Juridical Address : 107014, Egerskaya str., 1, Moscow, Russia
Residence Address: 127081, Chermianskaya str, 3, Moscow, Russia
Phone-Fax: +7 495 6458078, +7 495 969 2413
mail@aqua-italy.ru | www.aqua-italy.ru - www.aqua.it

