

AG-MAN

- Manual mixer with PVC shaft.



CODE	MODEL	SIZE	TANK L	PACKING	WEIGHT kg	VOLUME m ³
ADAGMP06	AG- MAN-PVC60	A-TANK 1	100-200	1	3	0.02
ADAGMP07	AG- MAN-PVC70	A-TANK 2-3	300	1	3	0.02
ADAGMP09	AG- MAN-PVC90	A-TANK 5-10	500-1000	1	3	0.02

A-SUPP

- PVC support to install dosing pumps and mixers.



CODE	MODEL
ADSUPP010	A-TANK 1
ADSUPP020	A-TANK 2
ADSUPP030	A-TANK 3
ADSUPP050	A-TANK 5
ADSUPP100	A-TANK 10

ADBAS

- Foot fixing bracket.



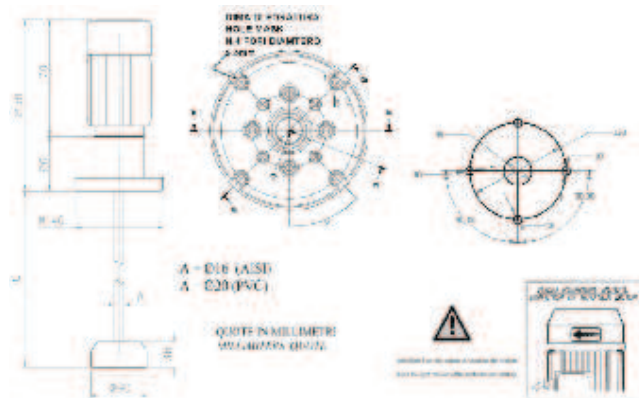
CODE	MODEL
ADBAS100	Foot fixing bracket (HC150-151-897-997-899-999)

Chemical Dosing Equipment



AG-F

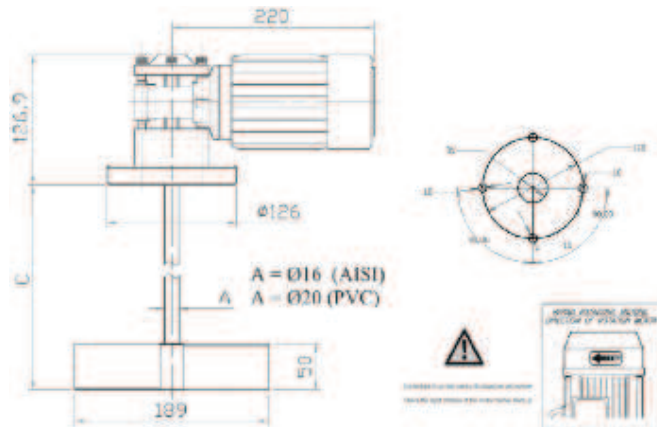
- Fast water mixers.
- Fast speed three-phase AG3-PVC/AG3-AISI 1400 rpm – Motor 230/380 V - 50 Htz - 0.12HP;
- Fast speed three-phase AG3-PVC/AG3-AISI 1400 rpm – Motor 230/380 V - 50 Htz - 0.12HP.



CODE		SIZE	TANK	MATERIAL	SPEED	PACKING	WEIGHT	VOLUME
SINGLE-PHASE	THREE-PHASE		L		rpm		kg	m ³
ADAG1P06F	ADAG3P06F	A-TANK 1	100	PVC	1400	1	6	0.03
ADAG1P07F	ADAG3P07F	A-TANK 2-3	200-300	PVC	1400	1	7	0.05
ADAG1P08F	ADAG3P08F	A-TANK 5	500	PVC	1400	1	7	0.05
ADAG1P09F	ADAG3P09F	A-TANK 10	1000	PVC	1400	1	7	0.05
ADAG1A06F	ADAG3A06F	A-TANK 1	100	AISI	1400	1	6	0.03
ADAG1A07F	ADAG3A07F	A-TANK 2-3	200-300	AISI	1400	1	7	0.05
ADAG1A08F	ADAG3A08F	A-TANK 5	500	AISI	1400	1	7	0.05
ADAG1A09F	ADAG3A09F	A-TANK 10	1000	AISI	1400	1	7	0.05

AG-S

- Slow water mixers.
- Slow single-phase AG1-PVC /AG1-AISI 70 rpm – Motor 230V 50Hz 0.12HP
- Slow speed three-phase - AG3-PVC/AG3-AISI - 70 rpm – Motor 230/380v - 50 Hz - 0.12HP.



CODE		SIZE	TANK	MATERIAL	SPEED	PACKING	WEIGHT	VOLUME
SINGLE-PHASE	THREE-PHASE		L		rpm		kg	m ³
ADAG1P06S	ADAG3P06S	A-TANK 1	100	PVC	70	1	6	0.03
ADAG1P07S	ADAG3P07S	A-TANK 2-3	200-300	PVC	70	1	7	0.05
ADAG1P08S	ADAG3P08S	A-TANK 5	500	PVC	70	1	7	0.05
ADAG1P09S	ADAG3P09S	A-TANK 10	1000	PVC	70	1	7	0.05
ADAG1A06S	ADAG3A06S	A-TANK 1	100	AISI	70	1	6	0.03
ADAG1A07S	ADAG3A07S	A-TANK 2-3	200-300	AISI	70	1	7	0.05
ADAG1A08S	ADAG3A08S	A-TANK 5	500	AISI	70	1	7	0.05
ADAG1A09S	ADAG3A09S	A-TANK 10	1000	AISI	70	1	7	0.05