

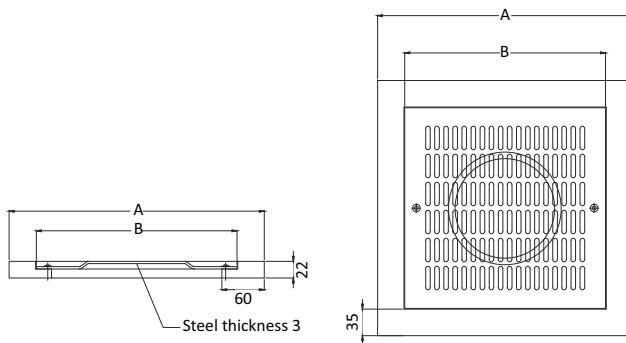
#### 4- MAIN DRAIN COVERS

For all kind of main drains the following points need to be taken under consideration:

- Water flow velocity 0.5m/sec.
- Maximum suction velocity 1.5m/sec.
- Minimum distance between drains is more than 2 meters.
- Recommended to use a special device to deduct the vacuum and automatically switch off the pump.

#### STAINLESS STEEL STANDARD BOTTOM GRILLE

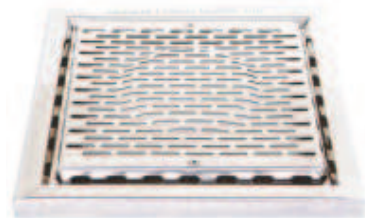
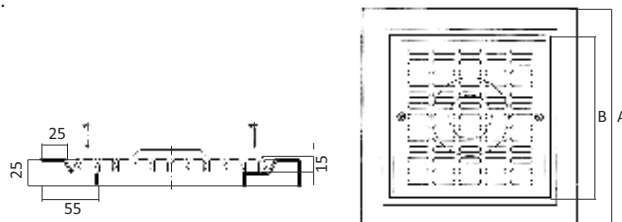
- Made of AISI 316L stainless steel.



CODE		FLOW RATE AT SPEED 0.5m/s m <sup>3</sup> /h	DIMENSIONS		PACKING	WEIGHT kg	VOLUME m <sup>3</sup>
CONCRETE	LINER		A	B			
F-155	F-160	17	280x280	200x200	1		
F-156	F-161	28	325x325	250x250	1		
F-157	F-162	39	380x380	300x300	1		
F-158	F-163	69	480x480	400x400	1		
F-159	F-164	108	580x580	500x500	1		

#### STAINLESS STEEL SAFETY BOTTOM GRATE

- Made of AISI 316L stainless steel.
- For concrete pools.



CODE		FLOW RATE AT SPEED 0.5m/s m <sup>3</sup> /h	DIMENSIONS		PACKING	WEIGHT kg	VOLUME m <sup>3</sup>
CONCRETE	LINER		A	B			
F-165	F-165-L	45	355x355	295x295	1		
F-166	F-166-L	80	455x455	395x395	1		
F-167	F-167-L	140	555x555	495x495	1		