



INDUSTRIAL GROUP



Competition Equipment

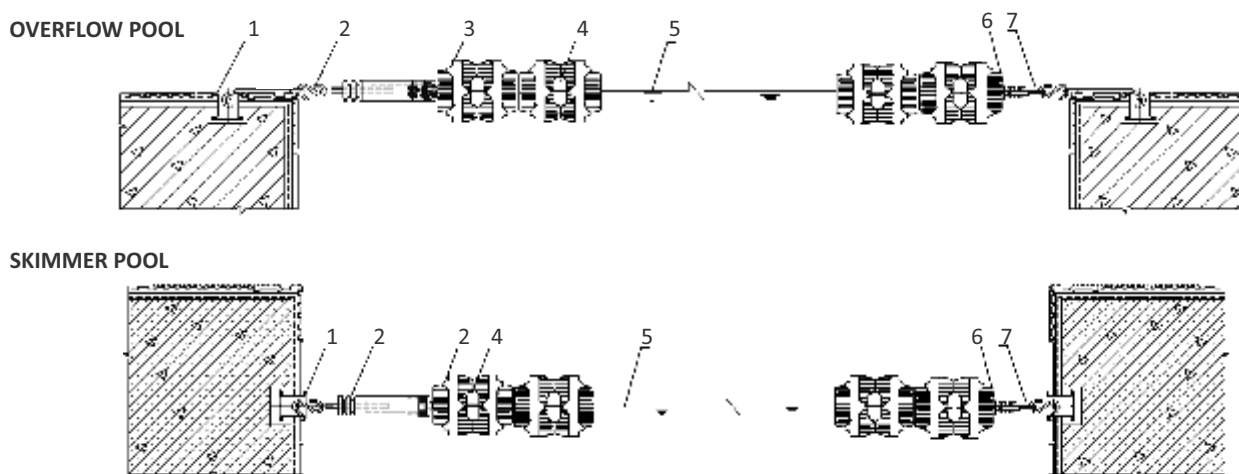
INDEX	Page
1- RACING LANES	282
2- LANE ACCESSORIES	283
3- STAINLESS STEEL ANCHORS	284
4- STOREEL	284
5- CADY LANE SAVER	284
6- STORAGE BIN	285
7- STARTING BLOCK 600	285
8- SUPER STARTING BLOCK	286
9- OVERFLOW BLOCK STAND	286
10- ENDWALLS	287
11- "NO DIVING" BLOCK CONE	287
12- BACKSTROKE-FALSE START SET	287
13- PACE CLOCK	288
14- TURNWALL	288
15- MOVABLE BULKHEAD	289
16- SUBMERSIBLE SWIMWALL	289
17- MOVABLE FLOORS	289

Competition Equipment

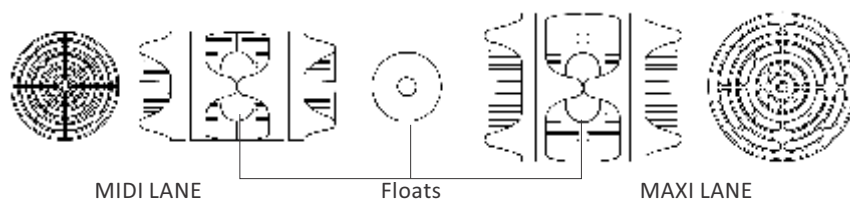


1- RACING LANES

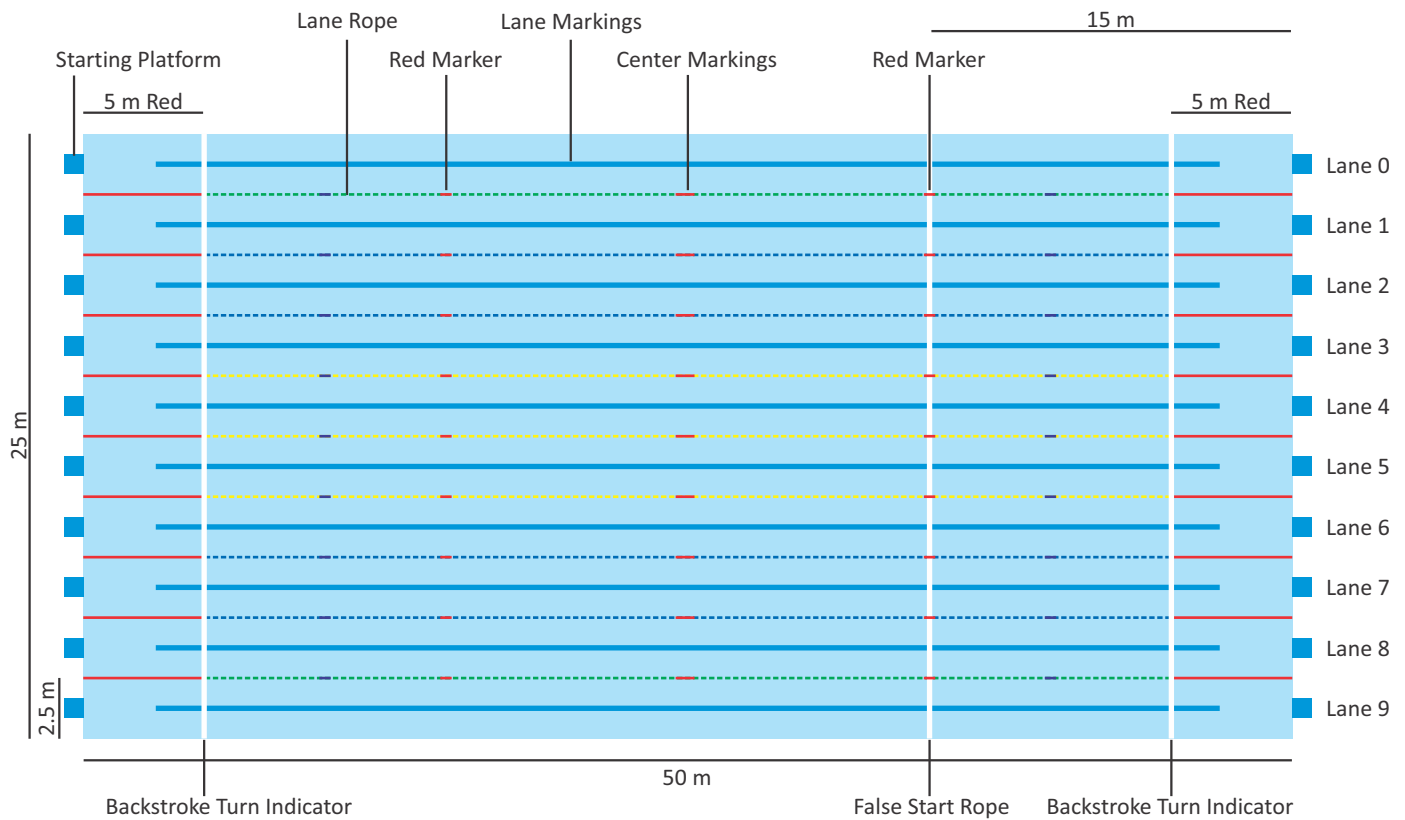
- Discs are made from UV stabilized co-polymer polypropylene.
- Floats are made from high density polyethylene.
- Available in two diameters:
 - MIDI Ø110 mm is the favorite lane for most pools; suitable for competition and general pool division.
 - MAXI Ø150 mm is the lane for national and international competitions.
- Standard colors: red 5 m ends with white and blue alternating.
- 25 m lanes have marks at the 15 m positions, 50 m lanes have marks at the 15 m and mid point positions.
- Colors available: Red - Blue - Yellow - Green - White - Black.
- Racing lanes come complete with super tension s. steel hooks but without anchors and long clamps.



Item No.	Parts Name	Quantity
1	Lane Anchor CE-109 or CE-109OF	2
2	Super Tensioner CE-107	1
3	Disc (Midi 110mm or Maxi 150mm)	As many as the length of the Pool
4	Float/Donut	As many as the length of the Pool
5	3.1 mm SS316L Cable	3m longer than the length of the Pool
6	Small Washer	2
7	SS Hook CE-106	1



CODE	TYPE	Ø	LENGTH	PACKING	WEIGHT	VOLUME
		mm	m		kg	m ³
CE-101	MIDI	110	25	1	29	0.34
CE-102	MAXI	150	25	1	34	0.62
CE-103	MIDI	110	50	1	57	0.68
CE-104	MAXI	150	50	1	68	1.2



2- LANE ACCESSORIES

- Cable: Safe durable cable in stainless steel 316 for extra strength, overall \varnothing 3.1mm and stands a force of 5 kn.
- Hook with clamp.
- Super Tensioner: Made from engineering plastics with short clamp set.

CODE	DESCRIPTION	PACKING	WEIGHT	VOLUME
			kg	m ³
CE-105	S. Steel Cable (/m)	1	0.01	0.04
CE-106	S. Steel Hook with clamp	1	0.06	0.001
CE-107	Super Tensioner with Start Clamp Set	1	0.06	0.001



Competition Equipment



CE-110

CE-109



CE-109OF



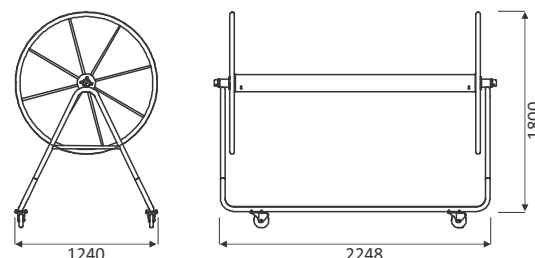
3- STAINLESS STEEL ANCHORS

- LANE ANCHOR Skimmer: Made of Stainless steel 316, provides secure flush anchoring for lane ropes, goal lines and water polo fields. Lane anchor cover and extension are also available.
- LANE ANCHOR Overflow: Made of Stainless steel 316, allows for the installation of lane ropes and other accessories in a wet deck overflow pool configuration.
- DECK HOLE ANCHOR: Made of Stainless steel, provides a flush-fitting secure anchor for removable sports equipment, poles and railings around the pool.

CODE	DESCRIPTION	PACKING	WEIGHT kg	VOLUME m ³
CE-109	Lane Anchor Skimmer	1	0.3	0.001
CE-109OF	Lane Anchor Overflow	1	1	0.001
CE-110	Deck Hole Anchor	1	0.3	0.001

4- STOREEL

- Made from white coated aluminium with stainless steel castors.
- Highly durable, provides convenient, mobile solution for the storage of racing lanes.
- Holds up six 25 m MIDI Ø110 lanes or four 25 m Maxi Ø150 lanes.
- SOLARGUARD COVER: Green cover for STOREEL to protect the lanes from UV damage and allow them to breath.



CODE	DESCRIPTION	PACKING	WEIGHT kg	VOLUME m ³
CE-111	Storeel	1	45	0.45
CE-112	Green Solarguard Cover for Storeel	1	2.5	0.03

5- CADY LANE SAVER

- The GRP Caddy Lane Saver prevents lane damage from sharp edges during removal of lanes onto Storeel and re-installation.



CODE	PACKING	WEIGHT kg	VOLUME m ³
CE-113	1	3	0.02

6- STORAGE BIN

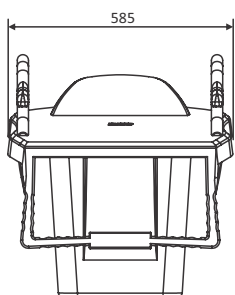
- Provides safe and convenient access and storage for a variety of pool deck and game equipment.
- High quality aluminium construction and is easily moved around the pool deck via stainless steel castor wheels.



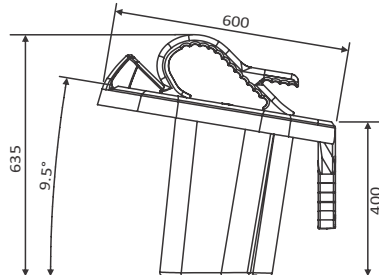
CODE	PACKING	WEIGHT kg	VOLUME m ³
CE-114	1	15	0.2

7- STARTING BLOCK 600

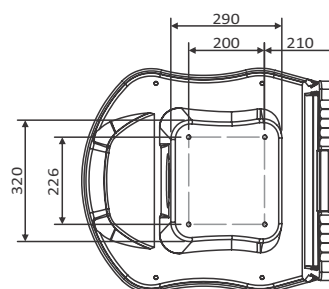
- The AQUA Block 600 is designed for the requirements of competition and training pools.
- Fibreglass construction with 316 SS fittings.
- Compliant with FINA starting platform guide lines FR2.7.
- Fixed Track Start and Safe Start handles for fast start times and safety.
- Backstart handle is reinforced with SS316 for safety and durability.
- 4 piece Anchors are included
- Top platform length is 600mm.
- Dimensions are 0.86m x 0.5m.



FRONT VIEW



SIDE VIEW



BOTTOM VIEW

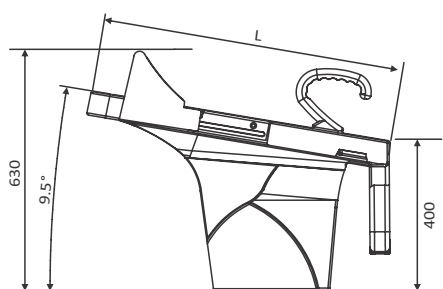
CODE	PACKING	WEIGHT kg	VOLUME m ³
CE-135	1	18	0.2

Competition Equipment

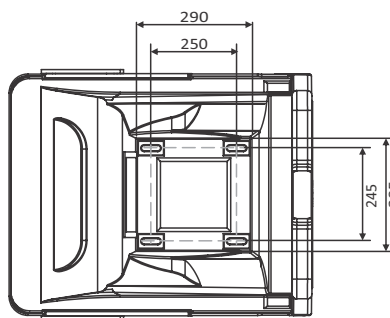


8- SUPER STARTING BLOCK

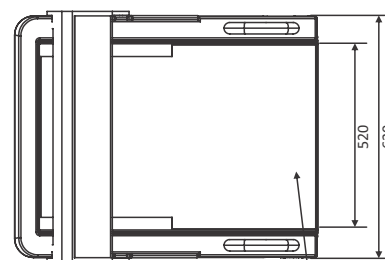
- The Super Starting Block is the premium starting block for major competitions.
- Includes the FINA Approved Moveable Track Start and Safe Start Handles.
- Fibreglass construction with SS316 fittings.
- Movable Track Start (MTS) adjustable to 5 positions.
- Durable, non-slip Aquadeck® tread.
- Safe Start handles for fast starts and safety.
- Backstart handles reinforced with SS316 for safety and durability.
- Compatible with major electronic timing systems (Omega RBD).



SIDE VIEW



BOTTOM VIEW



Aquadeck/OSB11

TOP VIEW

CODE	L mm	PACKING	WEIGHT kg	VOLUME m ³
CE-136	650	1	35	0.3
CE-137	750	1	54	0.4



9- OVERFLOW BLOCK STAND

- Provides a stable platform for the installation of blocks in an overflow pool.
- Produced from hand-laid FRP and SS316 fittings.
- Can be used with optional GRP Turnboard.
- Elegant design allows cleaning of pool deck without removal of Overflow Block Stand.
- 4 piece Dynasets/Anchors are included.

CODE	PACKING	WEIGHT kg	VOLUME m ³
CE-138	1	54	0.65

10- ENDWALLS

- The AQUA Endwall is designed to provide a safe and efficient means of managing competition and fitness swimming in an overflow or 'wet deck' pool environment.
- Easy to install and simple to remove and store.
- Suitable for competitive events and normal competition or training.
- Enables the installation of starting blocks and timing equipment in over flow pool environment.
- Non-slip surface provides positive confirmation of the end of the pool to the swimmer as well as safe and speedy exiting of the pool.
- Movable gratings on sides ensure quick and easy cleaning of the channel with end wall in place.
- Can be used with most popular timing systems and touch pads.



CODE	DESCRIPTION	PACKING	WEIGHT	VOLUME
			kg	m ³
CE-139	FRP ENDWALL WHITE 2.5 x 0.7 x 0.3 m	1	60	0.8
CE-139-HT	WHITE EXTRUCTED ENDWALL 2.5 x 1.0 x 0.3 HITECH	1	100	1.0

11- "NO DIVING" BLOCK CONE

- The Block Cone straps on to any starting block to restrict diving or to provide signage.

CODE	PACKING	WEIGHT	VOLUME
		kg	m ³
CE-115	1	3	0.02



12- BACKSTROKE-FALSE START SET

- Contains a complete set of poles made of corrosion-resistant aluminium, flags, lines and fittings.
- Poles are 2 m high.
- The set is supplied with sufficient S. Steel deck hole anchors for installation.

CODE	DESCRIPTION	PACKING	WEIGHT	VOLUME
			kg	m ³
CE-134	SS316 Poles x 2, DH Anchor x 2	1	54	0.65



Competition Equipment



13- PACE CLOCK

- designed specifically for the Sydney 2000 Olympics Pool and combines excellent design with functionality.
- Dimensions are 900 x 900mm and Pace Clock is designed for wall hanging with a 220V drive socket.
- Multi-coloured hands provide clear and easy reading from the water level.
- Engineering plastics frame with acrylic Cover.

CODE	PACKING	WEIGHT kg	VOLUME m ³
CE-133	1	18	0.2



14- TURNWALL

- TURNBOARD GRP: Produced from FRP with SS316 fittings, the Turnboard provides positive confirmation of the pool end for the swimmer and attaches to the OverFlow BlockStand.



CODE	DESCRIPTION	PACKING	WEIGHT kg	VOLUME m ³
CE-140	TURNBOARD GRP 1.2 x 0.3 m	1	10	0.10
CE-141	TURNBOARD GRP 1.9 x 0.3 m	1	14	0.15

15- MOVABLE BULKHEAD

- The Movable Bulkhead sets the international standard for Bulkhead pool configuration and programmability.
- A high-precision corrosion resistant bulkhead that successfully meets all international regulations and requirements that has positive appeal to the swimming community.
- Bulkhead motorisation began in 1985 and is still in operation, with our latest design leading the world in reliability and efficient operation.

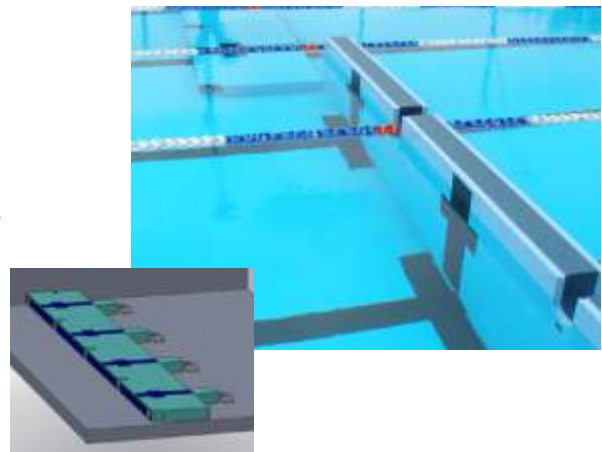
To order please enquire and supply dimensional information.



16- SUBMERSIBLE SWIMWALL

- The Submersible Swimwall is locked flat on the pool floor when not in use and can be raised in moments when required by introducing compressed air using supplied airlines into the bulkhead. The bulkhead is then locked into the upright position against the pool side.
- The ability to span either half or all of the pool means even greater flexibility for pool programming.
- The Submersible Swimwall is produced from FRP with internal buoyancy to permit manual operation using supplied air lines. Vertical walls of the bulkhead are supplied with target markings in accordance with Fina regulations.
- Provision is made for lane ropes to pass through the bulkhead as required, and for the connection of lanes to the Swimwall.

To order please enquire.



17- MOVABLE FLOORS

- A range of movable floor systems (manual and motorized), which meet the requirements of pools of every size from the small hydro-therapy pool to the major international pools.
- All materials are corrosion resistant. Around 90% of the fabric of the floor is advanced composite plastic.
- All stainless steel used for fittings and fastenings is 316 marine grade.
- Floors may be operated by cable or scissor mechanism, and may be installed in existing or new pools.

To order please enquire.

